

NOTES:

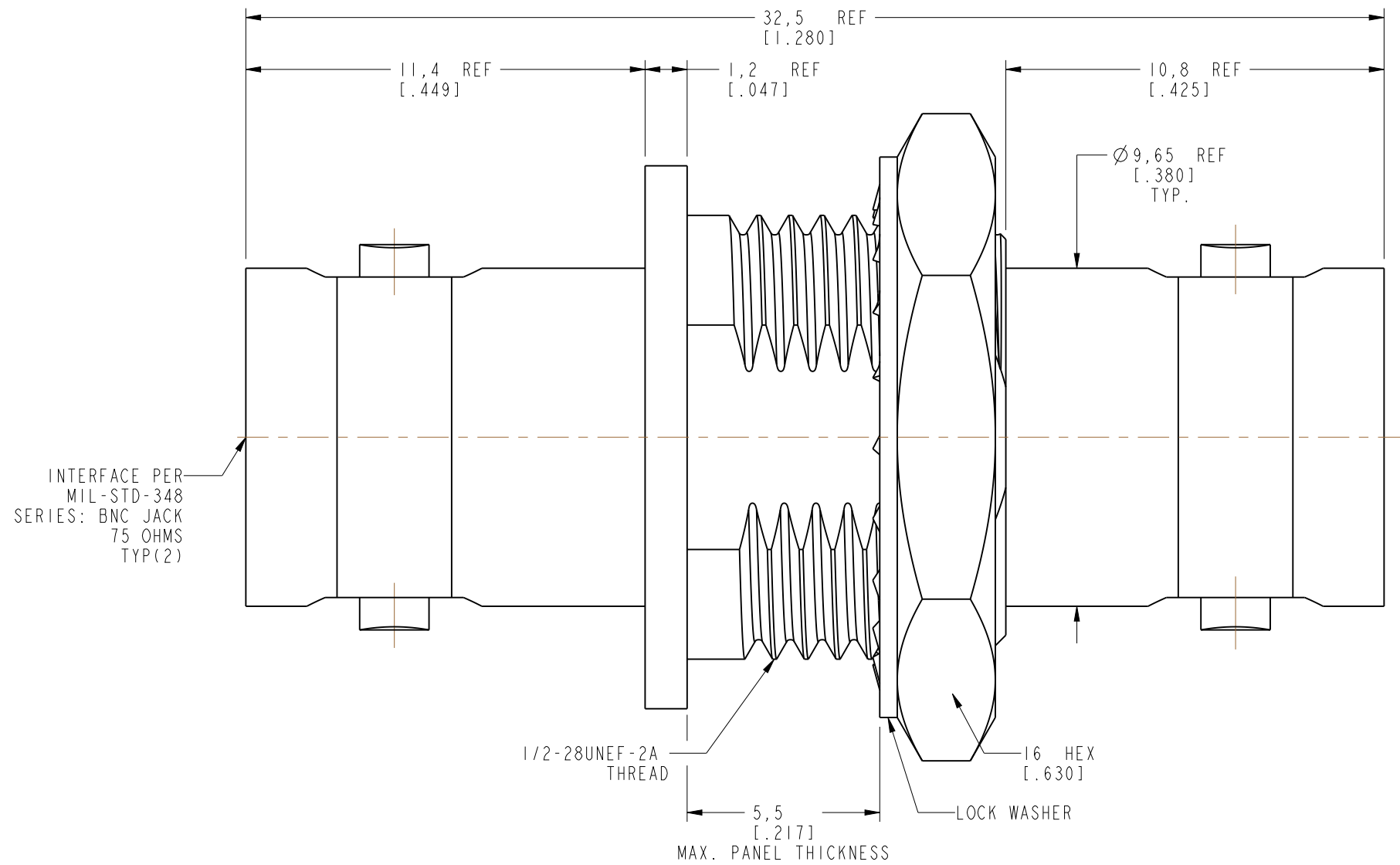
1. MATERIALS AND FINISHES:  
 BODY, LOCK RING, LOCK WASHER &  
 HEX-NUT - BRASS, NICKEL PLATING  
 INSULATOR - PTFE, NATURAL  
 CONTACTS - BeCu, GOLD PLATING
2. ELECTRICAL:  
 A. IMPEDANCE: 75 OHM  
 B. FREQUENCY RANGE: DC-12 GHz  
 C. RETURN LOSS: -20 dB MAX. @ DC-6 GHz  
 -15 dB MAX. @ 6-12 GHz  
 D. DWV: 1500 VRMS

3. MECHANICAL:  
 A. DURABILITY: 500 CYCLES MIN.  
 B. TEMPERATURE RANGE: -65°C TO +165°C  
 C. RECOMMENDED TORQUE: 30 IN-LBS
4. PACKAGING:  
 A. QUANTITY: SINGLE PACK  
 B. MARKING: BAG TO BE MARKED  
 "AMPHENOL RF, 31-220N-75-12G AND DATE CODE"

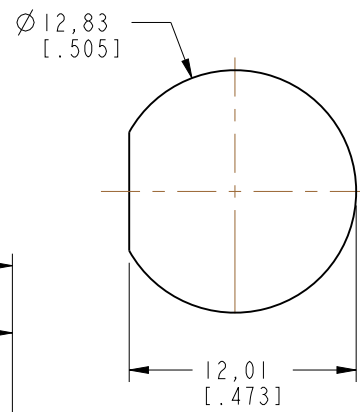
THIRD ANGLE PROJ.

REVISIONS

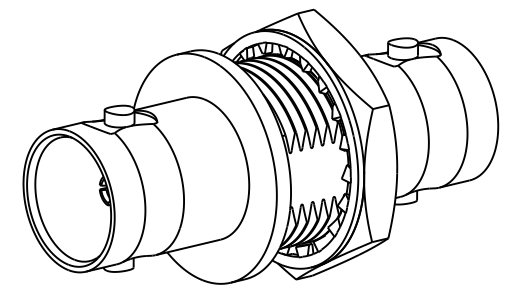
REV	DESCRIPTION	DATE	ECN	APPR
A	RELEASE TO MFG.	04-May-18	8023	BMG



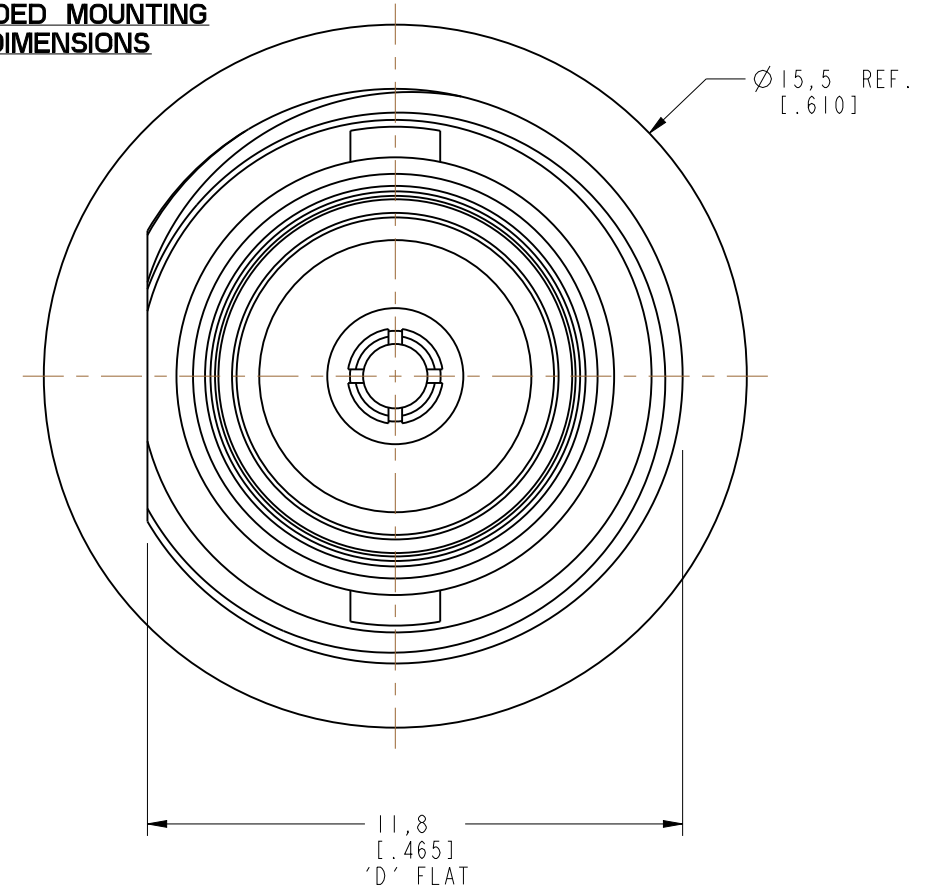
INTERFACE PER  
 MIL-STD-348  
 SERIES: BNC JACK  
 75 OHMS  
 TYP(2)



RECOMMENDED MOUNTING  
 HOLE DIMENSIONS



SCALE 2.000



HEX-NUT & LOCKWASHER  
 NOT SHOWN

**CUSTOMER OUTLINE DRAWING**

ALL OTHER SHEETS ARE FOR INTERNAL USE ONLY

UNLESS OTHERWISE SPECIFIED, DIMENSIONS ARE IN METRIC AND TOLERANCES ARE:  
 <0.5mm ±0.05mm    0.5 - 6mm ±0.1mm    6 - 30mm ±0.2mm    30 - 120mm ±0.3mm    ANGLES ±1°

NOTICE - These drawings, specifications, or other data (1) are, and remain the property of Amphenol corp. (2) must be returned upon request; and (3) are confidential and not to be disclosed to any person other than those to whom they are given by Amphenol Corp. the furnishing of these drawings, specifications, or other data by Amphenol Corp., or to any other person to anyone for any purpose is not to be regarded by implication or otherwise in any manner licensing, granting rights to permitting such holder or any other person to manufacture, use or sell any product, process or design, patented or otherwise, that may in any way be related to or disclosed by said drawings, specifications, or other data.

MATERIAL SEE NOTES	DRAWN LOKESH P	DATE 12-Sep-17
REFERENCE EAR# 7824	ENGINEER ANANDH G	DATE 12-Sep-17
REF:	APPROVED K. CAPOZZI	DATE 04-May-18
CONFIGURATION LEVEL: In Work	CAD FILE	
FINISH		

TITLE 75 OHM BNC STR BHD JACK TO JACK ADAPTER
SCALE: 6.0:1.0   SHEET 2 OF 2
DWG SIZE B
REV A

Amphenol RF
www.amphenolrf.com
DRAWING NO. 31-220N-75-12G
ITEM NO. 31-220N-75-12G
PART NO. 31-220N-75-12G

## X-ON Electronics

Largest Supplier of Electrical and Electronic Components

*Click to view similar products for [RF Adapters - In Series](#) category:*

*Click to view products by [Amphenol](#) manufacturer:*

Other Similar products are found below :

[5916-1103-603](#) [5918-1103-000](#) [5919-1503-000](#) [651A505](#) [82-5552](#) [9030-9523-502](#) [A0407000](#) [R114703000W](#) [R125704000](#) [R125771001](#)  
[R141710000W](#) [R141723161](#) [R141730000](#) [R143730700](#) [R143770000](#) [R161703000W](#) [R161730000](#) [R161753000W](#) [R161791530W](#)  
[R201705000](#) [R222705200](#) [R222M40010W](#) [R223703180](#) [R316754000](#) [R405006000](#) [R443162000](#) [AD78TL](#) [HRM-513S](#) [1996352-2](#)  
[2157155-1](#) [252169-75](#) [AD158](#) [2101130-1](#) [252186](#) [R114704000W](#) [R114720000W](#) [R125705001](#) [R125705701](#) [R125771000](#) [R125771001W](#)  
[R125791501W](#) [R127704001](#) [R127.870.001](#) [R127872001](#) [R141717000](#) [R142710000](#) [R142723000](#) [R143703000](#) [R143704000](#) [R143705700](#)