

NOTES:

- MATERIALS AND FINISHES:
 BODY, CLAMP NUT, WASHERS, BRAID CLAMP,
 SHELL, RETAINING RING - BRASS, NICKEL PLATING
 CONTACT - BRASS, SILVER PLATING
 CONTACT - BeCu, SILVER PLATING
 SPRING - BeCu, NICKEL PLATING
 INSULATORS - PTFE, NATURAL
 GASKETS - SILICONE RUBBER, RED

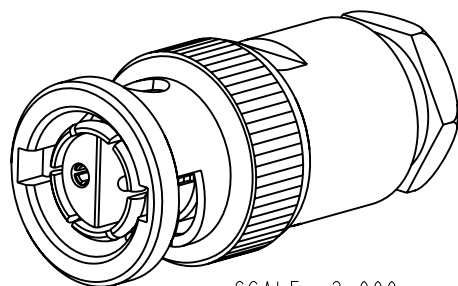
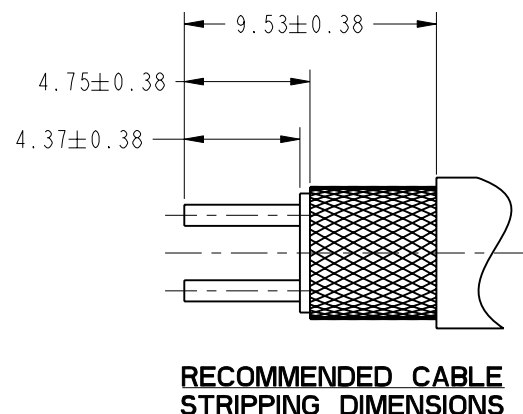
- ELECTRICAL:
 A. IMPEDANCE: 50 OHM
 B. FREQUENCY RANGE: DC - 4 GHz
 C. DIELECTRIC WITHSTANDING VOLTAGE: 1500 VRMS, MIN.

- MECHANICAL:
 A. DURABILITY: 500 CYCLES MIN.
 B. TEMPERATURE RANGE: -65° C TO +165° C

- PACKAGING:
 A. QUANTITY: SINGLE PACK
 B. MARKING: BAG TO BE MARKED
 "AMPHENOL RF, 31-2226, AND DATE CODE"

- CONTACT PIN TO SOLDER.

6 SHOWS CABLE ENTRY DIMENSIONS.

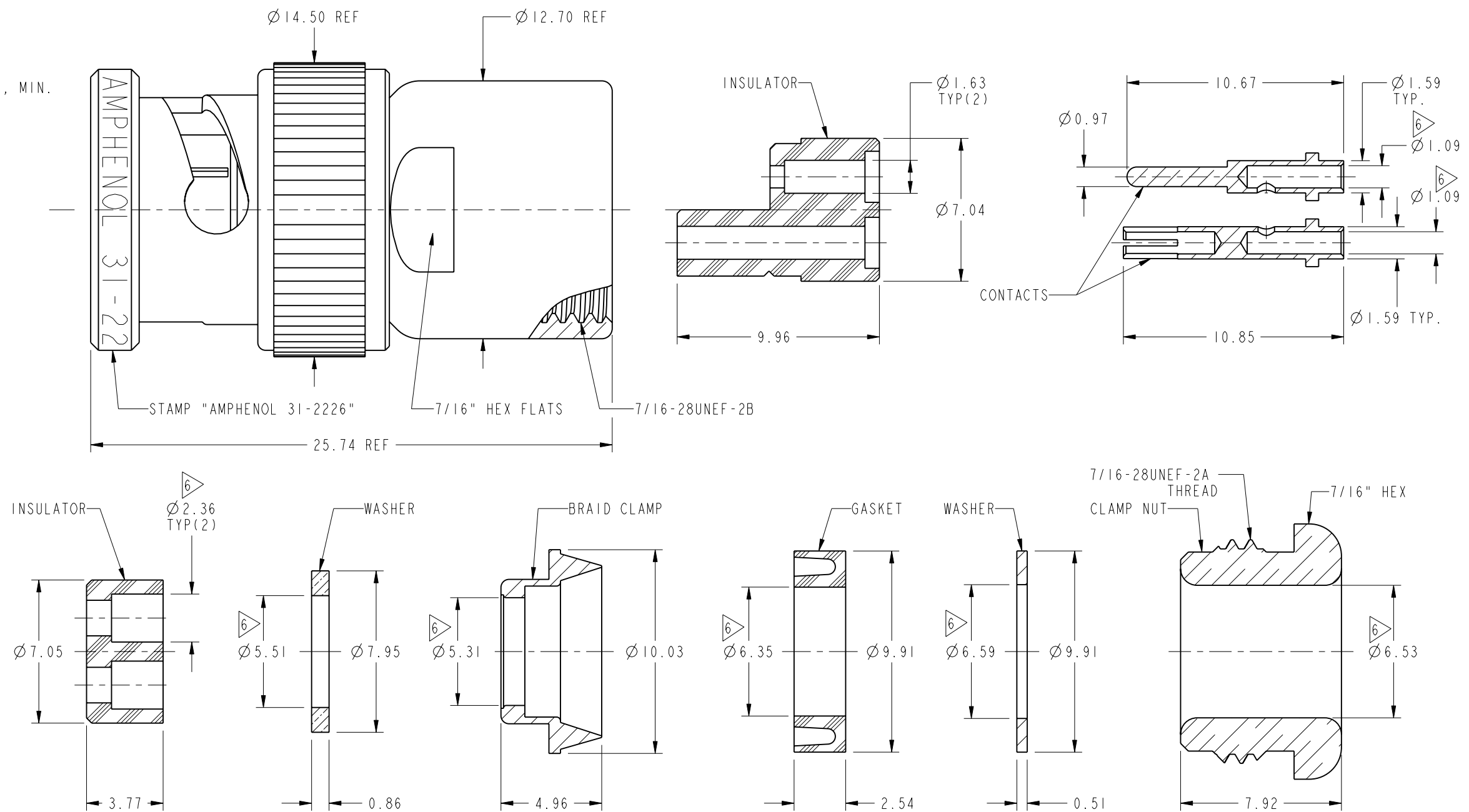


SCALE 2.000

THIRD ANGLE PROJ.

REVISIONS

REV	DESCRIPTION	DATE	ECO	APPR
A2	SEE SHEET I	09-Jan-03	--	TONY
Y	SEE SHEET I	21-Dec-09	47888	SH
AA	REDRAWN IN PRO-E	22-Jul-14	49949	RM



CUSTOMER OUTLINE DRAWING

ALL OTHER SHEETS ARE FOR INTERNAL USE ONLY

UNLESS OTHERWISE SPECIFIED, DIMENSIONS ARE IN METRIC AND TOLERANCES ARE:
 <0.5mm ±0.05mm 0.5 - 6mm ±0.1mm 6 - 30mm ±0.2mm 30 - 120mm ±0.3mm ANGLES ±1°

NOTICE - These drawings, specifications, or other data (1) are, and remain the property of Amphenol corp. (2) must be returned upon request; and (3) are confidential and not to be disclosed to any person other than those to whom they are given by Amphenol Corp. the furnishing of these drawings, specifications, or other data by Amphenol Corp., or to any other person to anyone for any purpose is not to be regarded by implication or otherwise in any manner licensing, granting rights to permitting such holder or any other person to manufacture, use or sell any product, process or design, patented or otherwise, that may in any way be related to or disclosed by said drawings, specifications, or other data.

MATERIAL SEE NOTES	DRAWN A ARUN PRABU	DATE 15-Apr-14	TITLE SPECIAL PLUG (TWIN CONTACT) BNC LOW VOLTAGE FOR RG-108A CABLE	Amphenol RF www.amphenolrf.com
REFERENCE EAR #	ENGINEER C. WANG	DATE 21-Dec-09		
CONFIGURATION LEVEL: □□□□	APPROVED S. HSIEH	DATE 22-Jul-14	SCALE: 4.3:1.0 SHEET 2 OF 2	DRAWING NO. 31-2226
FINISH	CAD FILE	DWG SIZE B	REV AA	ITEM NO. 31-2226
				PART NO. 31-2226

X-ON Electronics

Largest Supplier of Electrical and Electronic Components

Click to view similar products for [RF Connectors / Coaxial Connectors](#) category:

Click to view products by [Amphenol](#) manufacturer:

Other Similar products are found below :

[R125315120](#) [8915-1511-000](#) [89674-0827](#) [5916-1103-603](#) [6-0001-3](#) [6001-7071-019](#) [6002-7051-003](#) [6002-7551-202](#) [6059674-1](#) [619550-1](#)
[630059-000](#) [M39012/25-0021](#) [M39012/79-3008](#) [M39030/3-01N](#) [M39030/3-03N](#) [M3933/25-36N](#) [6500-7071-046](#) [M83723/72W24576](#)
[M83723/72W2457N](#) [6769](#) [CX050L2AQ](#) [7002-1541-010](#) [7002-1572-002](#) [7003-1572-002](#) [7010-1511-000](#) [7029-1511-060](#) [7101-1541-010](#)
[7101-1571-002](#) [7105-1521-002](#) [7145-1521-002](#) [7209-1511-011](#) [7210-1511-015](#) [7210-1511-019](#) [7225-1512-050](#) [7242-1511-000](#) [73137-5015](#)
[73251-0111](#) [73251-0672](#) [7325-1512-000](#) [73276-1501](#) [73366-0013](#) [73404-2300](#) [73413-6080](#) [73415-5721](#) [7405-1521-005](#) [7405-1521-802](#)
[7406-1521-005](#) [804S01D04M040](#) [8145-1521-002](#) [81590](#)