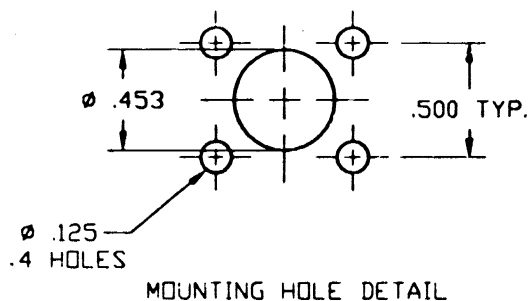
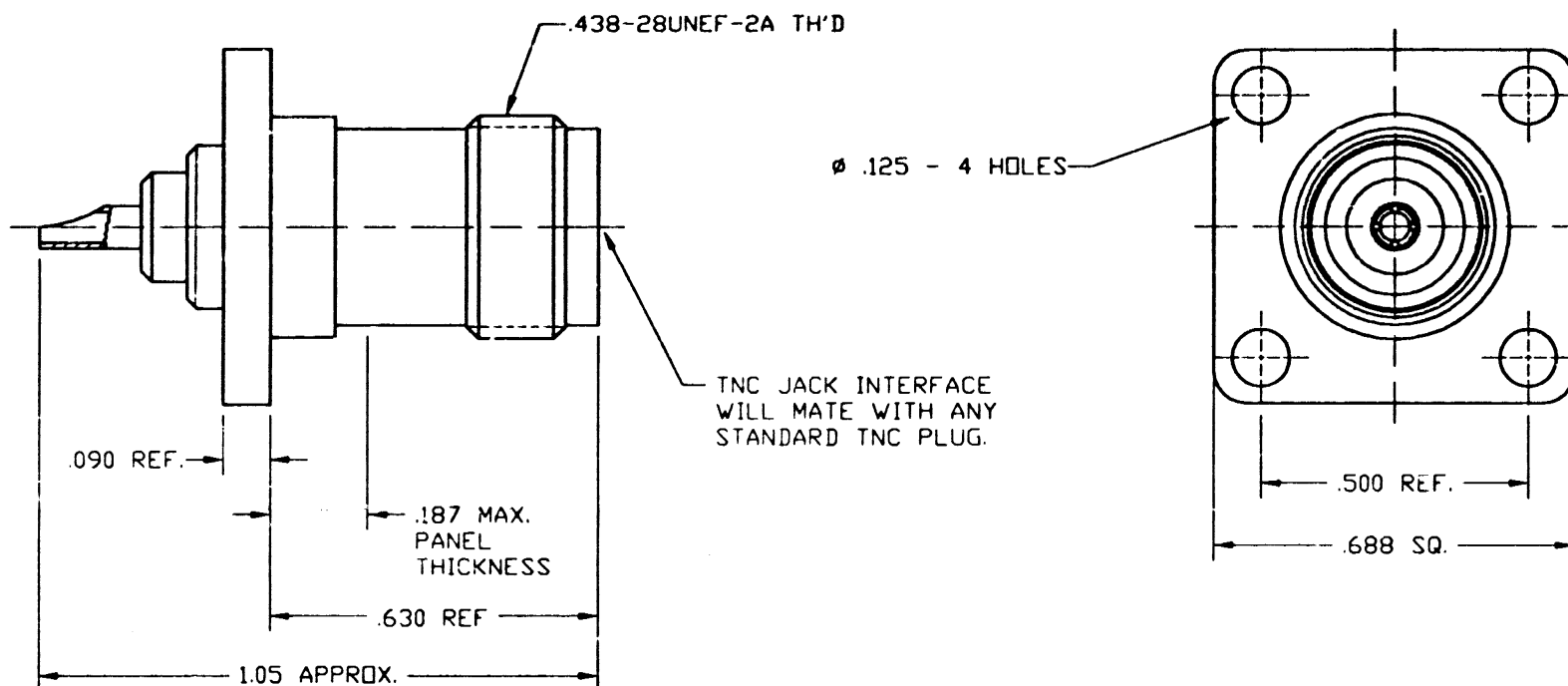


NOTES:

1. BODY, BRASS, ASTROPLATED.
FLANGE, BRASS, ASTROPLATED.
CONTACT, PHOSPHOR BRONZE, SILVER PLATED.
INSULATOR, PTFE.
2. HANDLE CAREFULLY TO AVOID DAMAGING THIN SECTIONS.
3. DO NOT SCALE THIS DRAWING.
4. UNLESS OTHERWISE SPECIFIED, ALL DIMENSIONS ARE AFTER PLATING.

31-2300-RFX		REVISIONS			
DRAWING NO.	REV	DESCRIPTION	DATE	ECO	APPR
THIRD ANGLE PROJ.	A	OFFICIAL ENG. RELEASE TO MFG.	12/11/95	40658	CPM



<p>UNLESS OTHERWISE SPECIFIED, DIMENSIONS ARE IN INCHES AND TOLERANCES ARE: 2 PLACE DECIMAL ± .015 (0,381 mm) 3 PLACE DECIMAL ± .005 (0,127 mm) ANGLES ± 1'</p>	MATERIAL	DRAWN C. McGRATH DATE 4/25/95	TITLE	<p>Amphenol Amphenol Corporation RF/Microwave Operations Danbury, Conn. U.S.A. 06810</p>			
	REFERENCE EAR 964653-0 ALLEN TELECOM	ENGINEER <i>[Signature]</i> DATE 05 May 95	APPROVED DATE		TNC JACK RECEPTACLE (CUSTOMER OUTLINE DWG.)		
<p>NOTICE - These drawings, specifications, or other data (1) are, and remain the property of Amphenol Corp (2) must be returned upon request; and (3) are confidential and not to be disclosed to any person other than those to whom they are given by Amphenol Corp. The furnishing of these drawings, specifications, or other data by Amphenol Corp., or to any other person to anyone for any purpose is not to be regarded by implication or otherwise in any manner licensing, granting rights or permitting such holder or any other person to manufacture, use or sell any product, process or design, patented or otherwise, that may in any way be related to or disclosed by said drawings, specifications, or other data.</p>		CAD FILE H:\DEPT611\TNC\031\ASSY\2300\RFXSHT2	CODE ID 74868	DWG SIZE B	DRAWING NO. 31-2300-RFX	SCALE: 3:1 SHEET 2 OF 2	ISSUE A

X-ON Electronics

Largest Supplier of Electrical and Electronic Components

Click to view similar products for [RF Connectors / Coaxial Connectors](#) category:

Click to view products by [Amphenol](#) manufacturer:

Other Similar products are found below :

[8915-1511-000](#) [89674-0827](#) [6001-7071-019](#) [6002-7051-003](#) [6002-7551-202](#) [6059674-1](#) [619550-1](#) [630059-000](#) [M39030/3-01N](#) [M3933/25-36N](#) [6500-7071-046](#) [6769](#) [CX050L2AQ](#) [7002-1542-011](#) [7004-1512-000](#) [7009-1511-004](#) [7010-1511-000](#) [7029-1511-060](#) [7101-1541-010](#) [7101-1571-002](#) [7105-1521-002](#) [7145-1521-002](#) [7203-1571-003](#) [7209-1511-011](#) [7210-1511-015](#) [7210-1511-019](#) [73137-5015](#) [73216-2241](#) [7325-1512-000](#) [73404-2300](#) [7405-1521-005](#) [7405-1521-802](#) [7406-1521-005](#) [8527](#) [8547](#) [FS11V](#) [8808-1511-001](#) [9049-9513-000](#) [9074-9513-000](#) [9101-9573-002](#) [910A205F](#) [9130-9573-002](#) [PL11SC-026](#) [PL375-33](#) [PL40-5](#) [PL71-9](#) [PL74C-221](#) [PL75MC-217](#) [PL803-7](#) [980-8666-005](#)