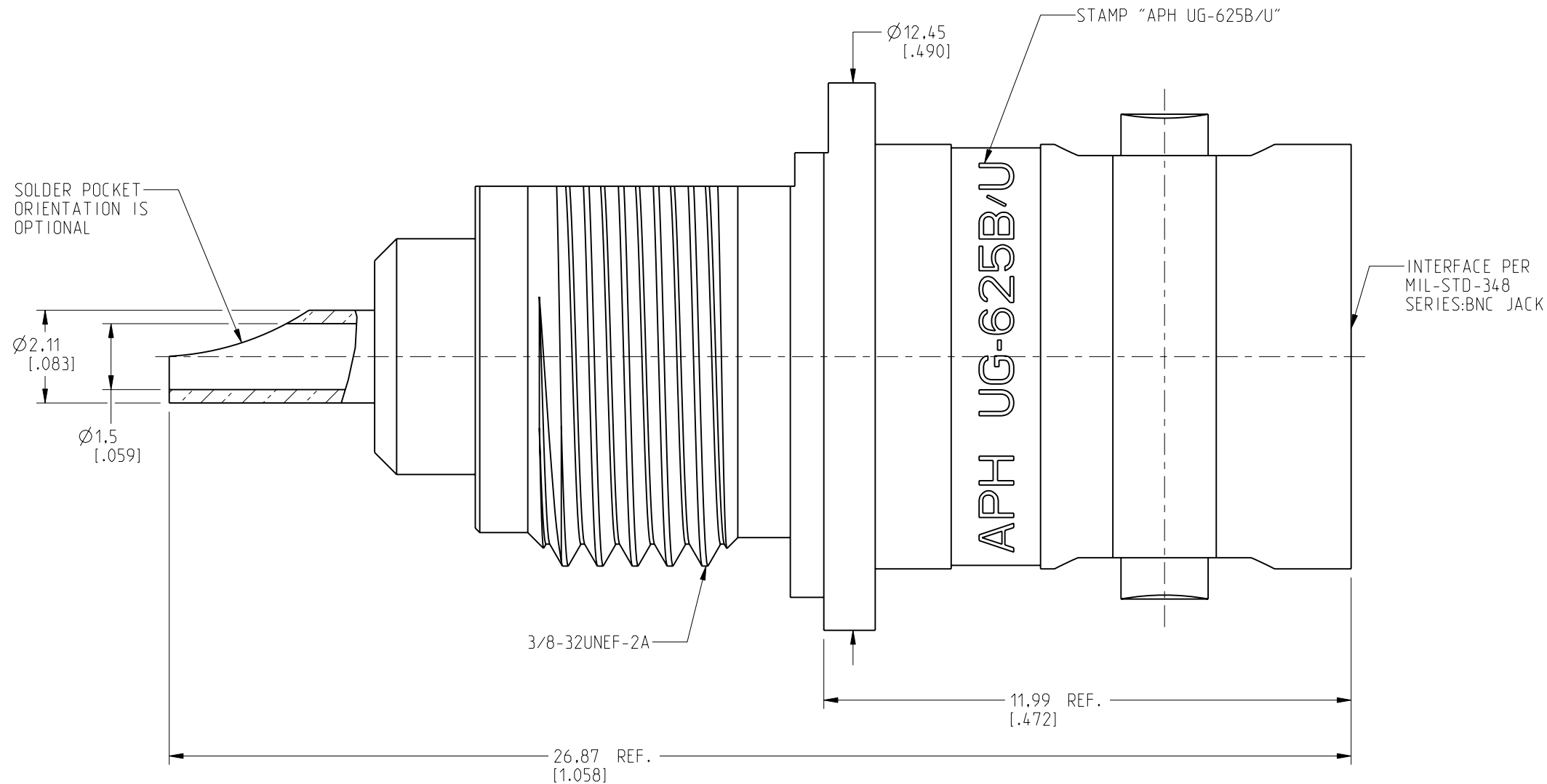
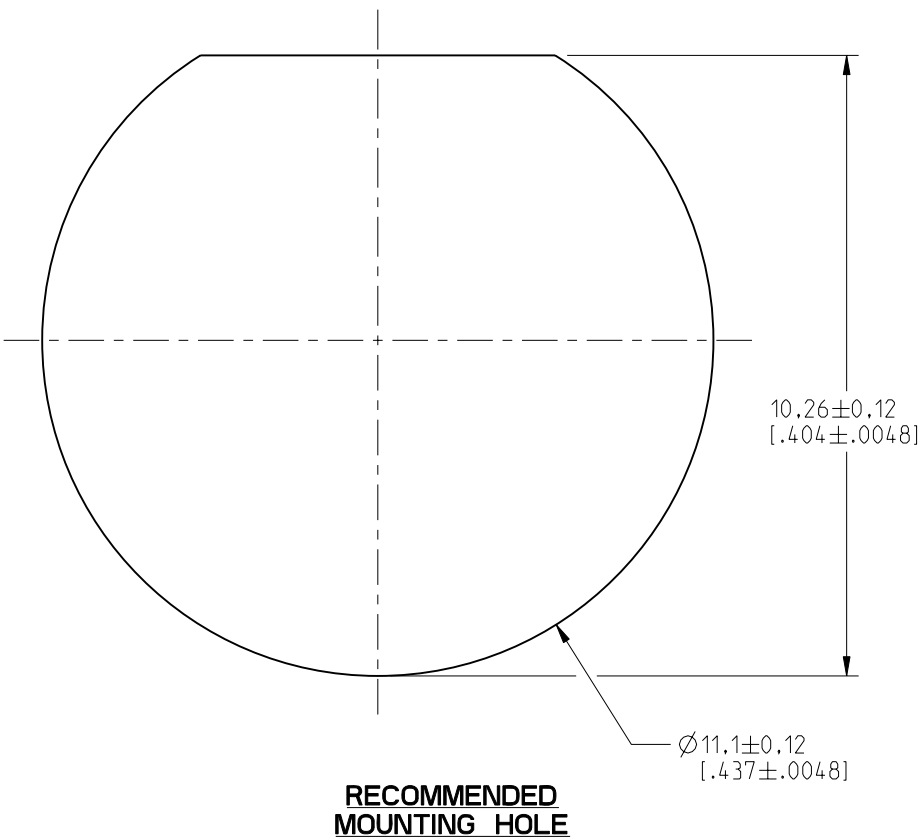
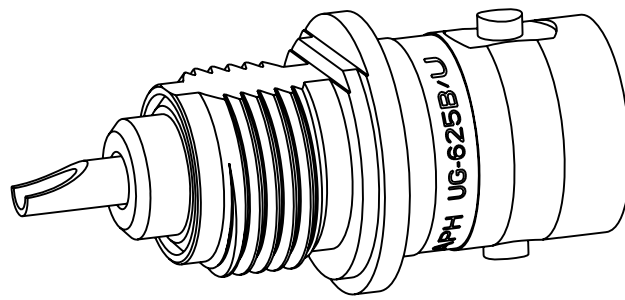


NOTES:

1. MATERIALS AND FINISHES:
 BODY -BRASS, NICKEL PLATING
 CONTACT - BeCu, SILVER PLATING
 INSULATOR - PTFE, NATURAL
2. ELECTRICAL:
 A. IMPEDANCE: 50 OHM
 B. FREQUENCY RANGE: DC - 2 GHz
3. MECHANICAL:
 A. DURABILITY: 500 CYCLES MIN.
 B. TEMPERATURE RANGE: -65° C TO +165° C
4. PACKAGING:
 A. QUANTITY: BULK PACKAGE CONNECTOR IN TRAY, 25 PCS/TRAY.
 B. MARKING: BAG TO BE MARKED
 "AMPHENOL RF, 31-236B & DATE CODE"

REVISIONS				
REV	DESCRIPTION	DATE	ECN	BY
A	RELEASE TO MFG.	23-DEC-21	16066	KR
B	REDRAWN, ADD NOTES	18-Apr-22	16236	SH
C	CHANGE THE PACKAGE PER PRODUCT DEPARTMENT DEMAND	07-May-22	16254	SH



CUSTOMER OUTLINE DRAWING
 ALL OTHER SHEETS ARE FOR INTERNAL USE ONLY

NOTICE: These drawings, specifications, or other data (1) are, and remain the property of Amphenol corp. (2) must be returned upon request; and (3) are confidential and not to be disclosed to any person other than those to whom they are given by Amphenol Corp. The furnishing of these drawings, specifications, or other data by Amphenol Corp., or to any other person to anyone for any purpose is not to be regarded by implication or otherwise in any manner licensing, granting rights to permitting such holder or any other person to manufacture, use or sell any product, process or design, patented or otherwise, that may in any way be related to or disclosed by said drawings, specifications, or other data.		UNLESS OTHERWISE SPECIFIED DIMENSIONS ARE METRIC (INCHES) AND TOLERANCES ARE: <math>< 0.5\text{mm} = \pm 0.05\text{mm}</math> [$< 0.020 = \pm 0.002</math>] $0.5 - 6\text{mm} = \pm 0.1\text{mm}$ [> 0.020 - 0.236 = \pm 0.004</math>] $6.00 - 30\text{mm} = \pm 0.2\text{mm}$ [> 0.236 - 1.181 = \pm 0.008</math>] $30.00 - 120\text{mm} = \pm 0.3\text{mm}$ [> 1.181 - 4.725 = \pm 0.012</math>] ANGLES = \pm 1^\circ $		MATERIAL SEE NOTES		TITLE BNC STR BHD JACK FRONT MOUNT RECEPTACLE		Amphenol RF	
THIRD ANGLE PROJ.		REFERENCE SAME AS 31-236 EXCEPT BULK PACK, NO MOUNTING HARDWARE		ENGR.1 KARTHIK ENGR.2 M.ZHANG DATE 07-May-22		SHEET NO. 2 OF 2 SCALE: 9.0:1.0		DRAWING NO. 31-236B ITEM NO. 31-236B PART NO. 31-236B	
						SIZE B		REV C	

X-ON Electronics

Largest Supplier of Electrical and Electronic Components

Click to view similar products for [RF Connectors / Coaxial Connectors](#) category:

Click to view products by [Amphenol](#) manufacturer:

Other Similar products are found below :

[89674-0827](#) [6059674-1](#) [630059-000](#) [6501-1071-002](#) [6769](#) [7002-1541-010](#) [7002-1572-002](#) [7004-1512-000](#) [7009-1511-004](#) [7101-1541-010](#)
[7101-1571-002](#) [7105-1521-002](#) [7203-1571-003](#) [7209-1511-011](#) [7210-1511-040](#) [7242-1511-000](#) [7405-1521-005](#) [7405-1521-802](#)
[804S01D04M040](#) [8527](#) [8547](#) [FS11V](#) [877931](#) [8808-1511-001](#) [9049-9513-000](#) [9074-9513-000](#) [PL11C-026](#) [PL40-36](#) [9408-1113-000](#) [980-](#)
[8666-005](#) [11 SMA-50-2-6 / 111 NE](#) [11 SMA-50-3-6 / 111 NE](#) [1-201144-1](#) [120919](#) [R107003010W](#) [R112186000](#) [R113053000W](#) [R113082097](#)
[R113236000](#) [R114083000](#) [R114670000W](#) [R123415000W](#) [R124076320](#) [R124076450](#) [R124175123](#) [R125075000W](#) [R125075001](#)
[R125172000W](#) [R125415030](#) [R141007161](#)