

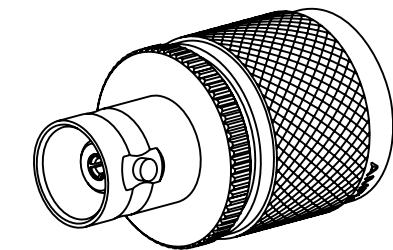
NOTES:

1. MATERIALS AND FINISHES:  
 BODY & COUPLING NUT - BRASS, NICKEL PLATING  
 CONTACT - BRASS, SILVER PLATING  
 CONTACT - BeCu, SILVER PLATING  
 INSULATORS - COPOLYMER OF STYRENE  
 RETAINING RING - PHOSPHOR BRONZE
2. ELECTRICAL:  
 A. IMPEDANCE: 50 OHM
3. MECHANICAL:  
 A. TEMPERATURE RANGE: -55° C TO +85° C
4. PACKAGING:  
 A. QUANTITY: SINGLE PACK  
 B. MARKING: BAG TO BE MARKED  
 "AMPHENOL RF, 31-28, AND DATE CODE"
5. CONFORM TO AMPHENOL SPEC. 349-50551, SEC. 301. EXCEPT AS NOTED.

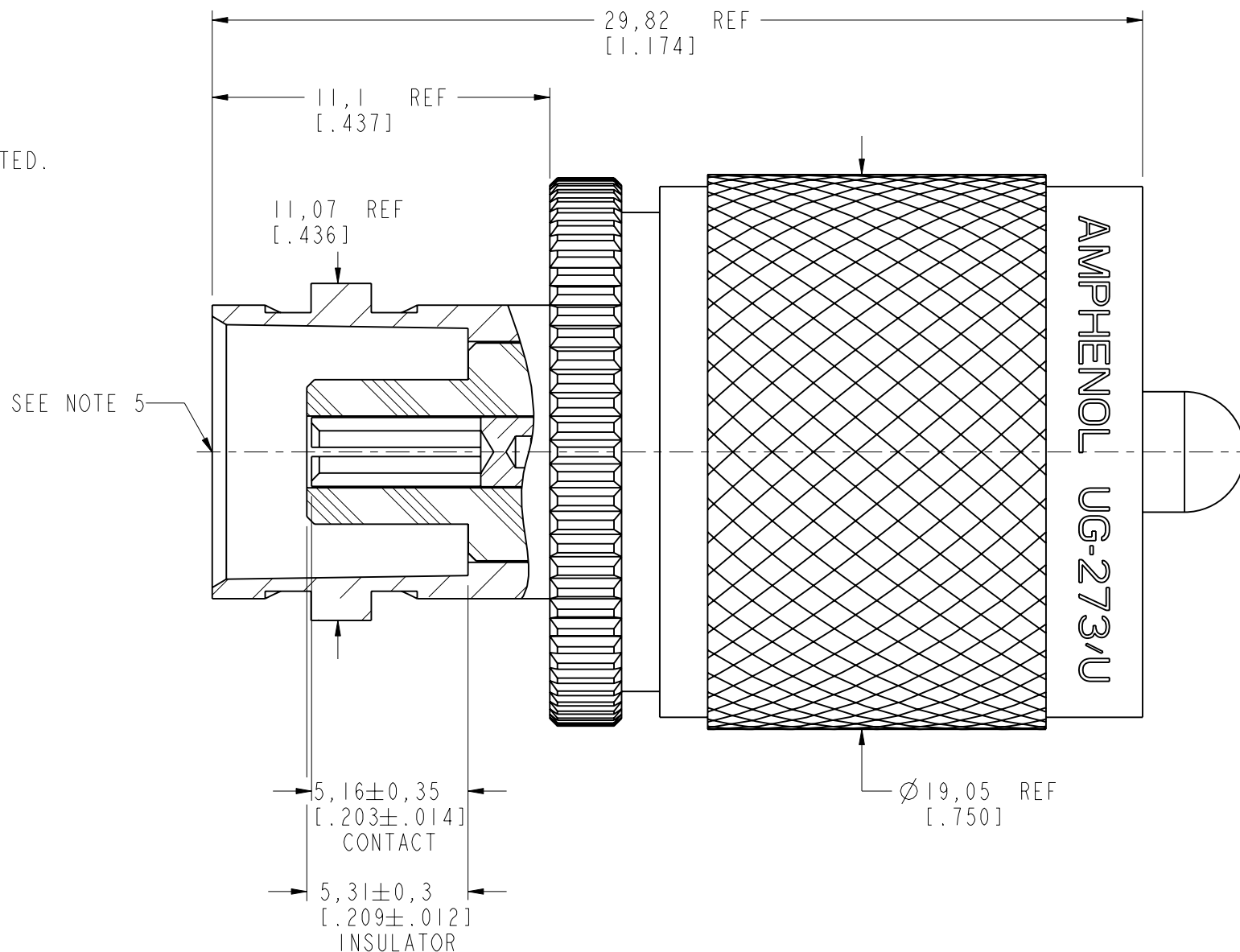
THIRD ANGLE PROJ.

REVISIONS

REV	DESCRIPTION	DATE	ECO	APPR
--	RELEASE TO MFG	--	--	
AB	REDRAWN IN PRO-E & COD ADDED	19-Mar-14	49831	SH



SCALE 1.500



**CUSTOMER OUTLINE DRAWING**

ALL OTHER SHEETS ARE FOR INTERNAL USE ONLY

UNLESS OTHERWISE SPECIFIED, DIMENSIONS ARE IN INCHES AND TOLERANCES ARE: 2 PLACE DECIMAL 3 PLACE DECIMAL ANGLES ±.015 (0,381 mm) ±.005 (0,127 mm) ± 1°	MATERIAL	DRAWN	DATE	TITLE ADAPTER UHF PLUG TO BNC JACK		Amphenol RF www.amphenolrf.com	
	SEE NOTES	R. MAO	03-Mar-14				
NOTICE - These drawings, specifications, or other data (1) are, and remain the property of Amphenol corp. (2) must be returned upon request; and (3) are confidential and not to be disclosed to any person other than those to whom they are given by Amphenol Corp. the furnishing of these drawings, specifications, or other data by Amphenol Corp., or to any other person to anyone for any purpose is not to be regarded by implication or otherwise in any manner licensing, granting rights to permitting such holder or any other person to manufacture, use or sell any product, process or design, patented or otherwise, that may in any way be related to or disclosed by said drawings, specifications, or other data.	REFERENCE	ENGINEER	DATE	SCALE: 5.0:1.0		DRAWING NO. 31-28	
	EAR # DOR 307740-51	K. CAPOZZI	12/17/13	SHEET 2 OF 2			ITEM NO. 31-28
	CONFIGURATION LEVEL: <input type="checkbox"/> <input type="checkbox"/> <input type="checkbox"/> <input type="checkbox"/>	APPROVED	DATE	DWG SIZE		REV	PART NO. 31-28
	FINISH	S. HSIEH	03-Mar-14	B			

## X-ON Electronics

Largest Supplier of Electrical and Electronic Components

*Click to view similar products for [RF Adapters - Between Series](#) category:*

*Click to view products by [Amphenol](#) manufacturer:*

Other Similar products are found below :

[R191203007](#) [R191209000](#) [R191212000](#) [R191215000](#) [R191301000](#) [R191314700](#) [R191325000](#) [R191389200](#) [R191403000](#) [R191405000](#)  
[R191416000](#) [R191419000](#) [R191421000](#) [R191424000](#) [R191445000](#) [R191511000](#) [R191720000](#) [R191722000](#) [R191733000](#) [R191759000](#)  
[R191841001W](#) [R191911000](#) [R191912000](#) [R192417010](#) [R921390000](#) [ADBJ20-E1-BJ379](#) [ADM2](#) [ADPL75-E1-UBJ20](#) [9317505](#)  
[931RPBUFLP](#) [AD130](#) [ADBJ20-E1-PL74](#) [ADBJ77-A1PL3155](#) [ADBJ77-E1-UPL20](#) [ADBJ77-E2-PL20](#) [242215](#) [242228](#) [R125680000W](#)  
[R191117000](#) [R191123000](#) [R191.147.000](#) [R191303000](#) [R191311000](#) [R191313000](#) [R191315000](#) [R191316700](#) [R191327000](#) [R191331000](#)  
[R191333000](#) [R191334000](#)