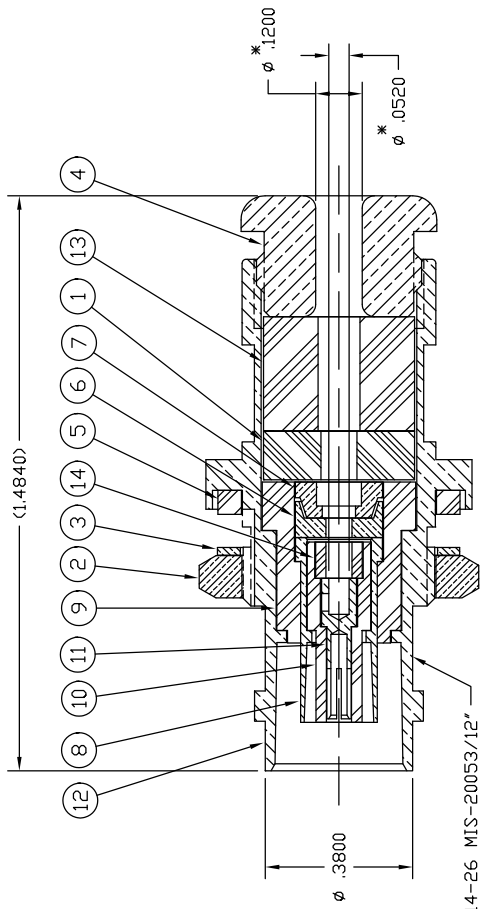


31-33114-26

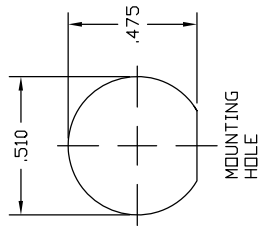
DRAWING NO. THIRD ANGLE PROJ.

REV	DESCRIPTION	DATE	ECO	APPR
S	REDRAWN TO AUTOCAD WAS 12 "A" SIZE; ADD NOTES 3 THRU 6; ADD PLATE CODES AND CABLE ENTRY DIM'S; DEL DASH -3, -11, -12, -14, -15, -18, -19, -21, -22, -23, -24, -25, -27; ADD DIAL. (REF).	2/18/98	42364	CPM/
T	ADD ITAR AND ITARM TO DWG	3/13/12	48931	CPM/

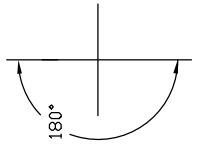
- REVISIONS
- ITEMS 1, 2, 3, 4, 5, 6, 7, 11, 13, 14 ARE PACKAGED LOOSE. PACKAGE CONNECTOR IN BAG 999-226.
 - FOR CABLE ASSY INSTRUCTIONS SEE 9-9950-177.
 - PLATING MUST CONFORM TO AMPHENOL SPEC 349-50560. CONTACTS ARE GOLD PLATED, CLAMP NUTS (ITEMS 6 & 7) ARE SILVER PLATED, ALL OTHER METAL PARTS ARE NICKEL PLATED (REF).
 - DO NOT SCALE THIS DRAWING.
 - UNLESS OTHERWISE SPECIFIED, ALL DIMENSIONS ARE AFTER PLATING.
 - ASTERISK (*) INDICATES CABLE ENTRY DIMENSIONS.



STAMP "74868 31-33114-26 MIS-20053/12"
WITH 4 DIGIT DATE CODE PER MIL-STD-130
IN .06 HIGH CHARACTERS.



POLARITY



MOUNTING HOLE

ITAR CONTROLLED

TECHNICAL DATA/INFORMATION RESTRICTED FOR USE UNDER THE RIGHTS/REQUIREMENTS OF U.S. STATE DEPARTMENT MANUFACTURING LICENSE AGREEMENT-MA 7516-10 U.S. EXPORT PERMITTED UNDER 22CFR125.4(b)(2)

ITAR CONTROLLED

THIS DOCUMENT CONTAINS TECHNICAL DATA AS DEFINED IN THE U.S. INTERNATIONAL TRAFFIC IN ARMS REGULATIONS (ITAR) SECTION 22 C.F.R. 120.10. THE TECHNICAL DATA MAY NOT BE EXPORTED, DISCLOSED, OR TRANSFERRED TO ANY FOREIGN PERSON, CORPORATION, ENTITY OR GROUP, AS DEFINED IN THE ITAR SECTION 22 C.F.R. WHETHER IN THE UNITED STATES OR ABROAD, WITHOUT THE PRIOR WRITTEN APPROVAL OF THE U.S. DEPARTMENT OF STATE.

PART NUMBER	QTY	ITEM	DESCRIPTION
3-5098-43	1	14	INSULATOR
3-5098-137	1	13	INSULATOR
3-3108-2NA	1	12	BODY
3-2818-27GA	1	11	CONTACT
3-2813-5	1	10	INSULATOR
3-2812-7	1	9	INSULATOR
3-2811-6GX	1	8	CONTACT
3-2808-31SA	1	7	CLAMP
3-2807-15SA	1	6	CLAMP
82-1535-4	1	5	GASKET
3-834-59NA	1	4	NUT
31-1677-NA	1	3	LOCKWASHER
31-10494-NA	1	2	HEX NUT
3-3521-227	1	1	GASKET
			FINISH

DRAWN		DATE		TITLE	
POULIN	10/30/85	TNC TYPE			
ENGINEER	DATE	S.H. MT			
D. ROYCE	2/17/98	TRIAX CRIMP ON JACK			
APPROVED	DATE	RG-188, 316 CABLES			
D. ROYCE	2/17/98	CODE ID	DWG SIZE	DRAWING NO.	REV
CAD FILE		74868	B	31-33114-26	T
H:\DEPT611\TNC\031\ASSY\33114-26					

MATERIAL

REFERENCE

UNLESS OTHERWISE SPECIFIED, DIMENSIONS ARE IN INCHES AND TOLERANCES ARE:
 2. PLACE DECIMAL ±.015 (0.381 mm)
 3. PLACE DECIMAL ±.005 (0.127 mm)
 ANGLES ± 1°

NOTICE - These drawings, specifications, or other data (1) are, and remain the property of Amphenol Corp. (2) must be returned upon request; and (3) are confidential and not to be disclosed to any person other than those to whom they are specifically directed. Amphenol Corp. reserves the right to change any other data by Amphenol Corp. or to any other person to anyone for any purpose is not to be regarded by implication or otherwise in any manner licensing, granting rights or permitting such holder or any other person to manufacture, use or sell any product or process in any way that may be related to or disclosed by said drawings, specifications, or other data.

Amphenol
Amphenol Corporation
RF/Microwave Operations
Danbury, Conn. U.S.A. 06810

SCALE: 3:1 SHEET 1 OF 1

X-ON Electronics

Largest Supplier of Electrical and Electronic Components

Click to view similar products for [RF Connectors](#) / [Coaxial Connectors](#) category:

Click to view products by [Amphenol](#) manufacturer:

Other Similar products are found below :

[R125315120](#) [8915-1511-000](#) [89674-0827](#) [5916-1103-603](#) [0106-001-000](#) [6-0001-3](#) [6001-7071-019](#) [6002-7051-003](#) [6002-7551-202](#) [6059674-1](#) [619550-1](#) [630059-000](#) [M39012/25-0021](#) [M39012/79-3008](#) [M39030/3-01N](#) [M39030/3-03N](#) [M3933/25-36N](#) [6500-7071-046](#) [6501-1071-002](#) [M83723/72W2457N](#) [6769](#) [CX050L2AQ](#) [7002-1541-010](#) [7002-1572-002](#) [7003-1572-002](#) [7004-1512-000](#) [7009-1511-004](#) [7010-1511-000](#) [7029-1511-060](#) [7101-1541-010](#) [7101-1571-002](#) [7105-1521-002](#) [7145-1521-002](#) [7209-1511-011](#) [7210-1511-012](#) [7210-1511-015](#) [7210-1511-019](#) [7225-1512-050](#) [7242-1511-000](#) [73137-5015](#) [73251-0111](#) [73251-0672](#) [7325-1512-000](#) [73276-1501](#) [73366-0013](#) [73404-2300](#) [73413-6080](#) [73415-5721](#) [7405-1521-005](#) [7405-1521-802](#)