

NOTES:

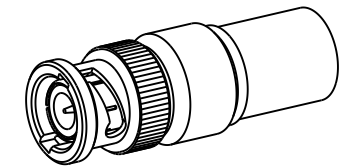
1. MATERIALS AND FINISHES:
 BODIES, SHELL & HALF WASHER - BRASS, NICKEL PLATING
 CONTACT - PHOSPHOR BRONZE, GOLD PLATING
 CONTACT OUTER - PHOSPHOR BRONZE, NICKEL PLATING
 SPRING - BeCu, NICKEL PLATING
 GASKET - SILICONE RUBBER, RED
 INSULATOR - PTFE, NATURAL
 HEAT SHRINK TUBING - POLYOLEFIN, BLACK
2. ELECTRICAL:
 A. IMPEDANCE: 50 OHM
3. MECHANICAL:
 A. DURABILITY: 500 CYCLES MIN.
 B. TEMPERATURE RANGE: -65° C TO +165° C
4. PACKAGING:
 A. QUANTITY: SINGLE PACK
 B. MARKING: BAG TO BE MARKED
 "AMPHENOL RF, 31-4411, AND DATE CODE"

5. CABLE ASSEMBLY INSTRUCTIONS:
 A. WHEN CRIMPING CONTACT PIN TO CABLE, CRIMP WITH AMPHENOL TOOL 227-944 & DIESET 227-1221-25 CAVITY "B" (0.100" HEX).
 B. WHEN FERRULE TO CABLE, CRIMP WITH AMPHENOL TOOL 227-944 & DIE SET 227-1221-25 CAVITY "A" (0.429" HEX).
 6. HEAT SHRINK TUBING (THERMO FIT), SUPPLIED ON REQUEST ONLY (PART NO. 68180-4)
 7. CUSTOMER NOTE: SOLDER CONTACT TO CABLE
8. SHOWS CABLE ENTRY DIMENSIONS.

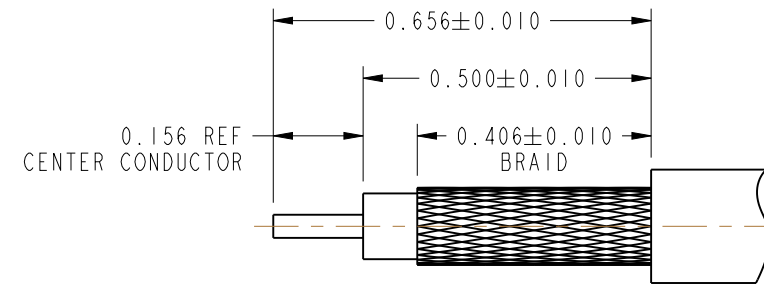
THIRD ANGLE PROJ.

REVISIONS

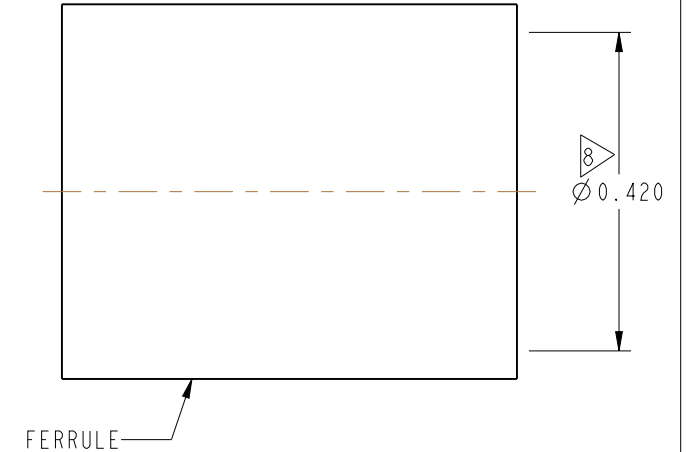
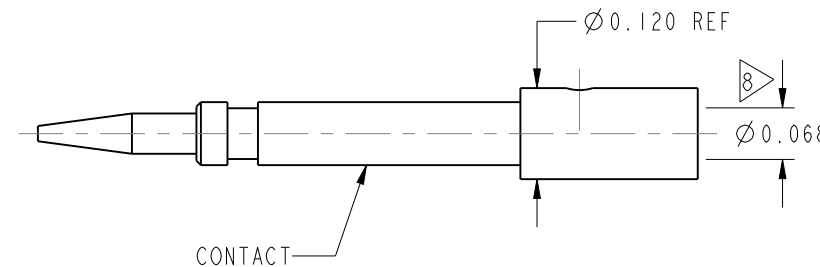
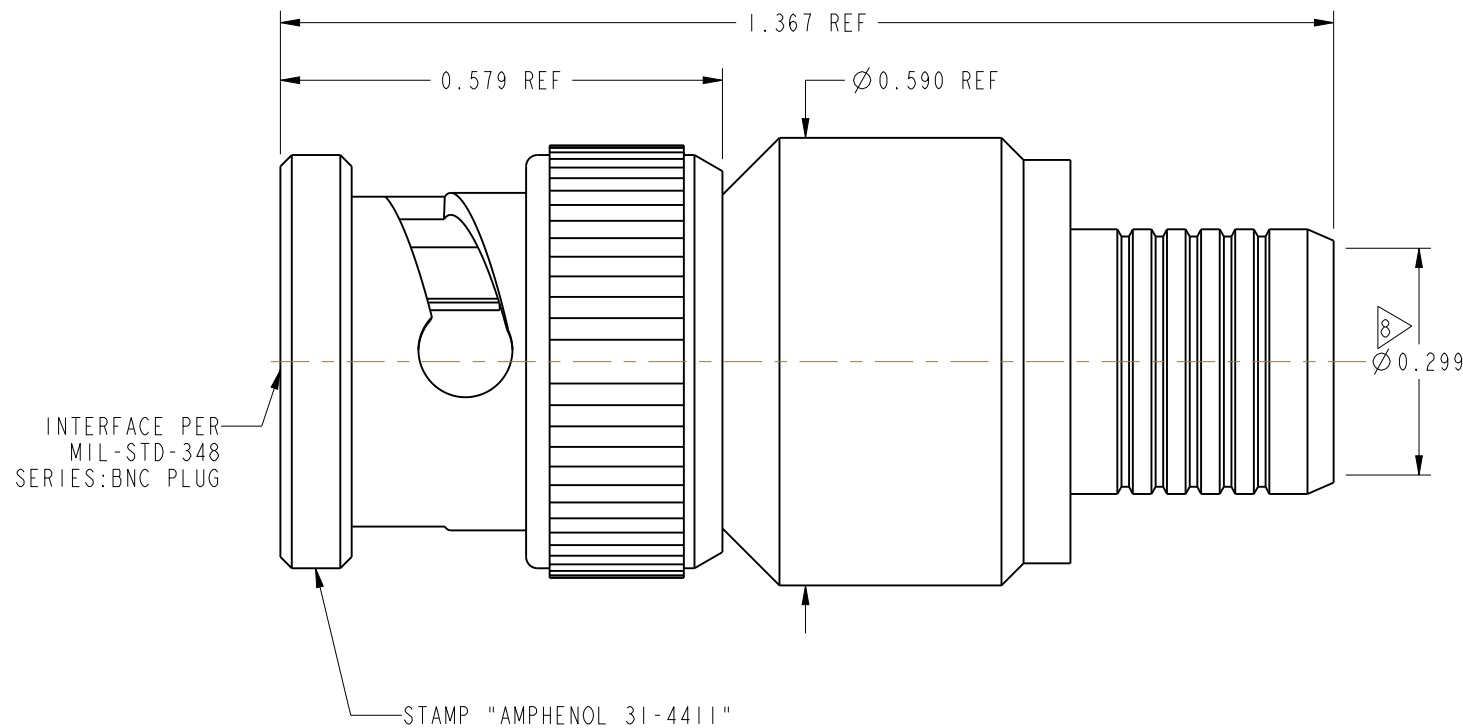
REV	DESCRIPTION	DATE	ECO	APPR
--	RELEASE TO MFG	--	--	--
G	REDRAWN IN PRO-E & COD SHEET ADDED	6/1/15	50343	NR



SCALE 1.000



RECOMMENDED CABLE STRIPPING DIMENSIONS



CUSTOMER OUTLINE DRAWING

ALL OTHER SHEETS ARE FOR INTERNAL USE ONLY

UNLESS OTHERWISE SPECIFIED, DIMENSIONS ARE IN INCHES AND TOLERANCES ARE: 2 PLACE DECIMAL 3 PLACE DECIMAL ANGLES ± 0.015 (0,381 mm) ± 0.005 (0,127 mm) $\pm 1^\circ$	MATERIAL	DRAWN	DATE	TITLE		Amphenol RF www.amphenolrf.com
	SEE NOTES	RAJAGOPAL N	13-Feb-15			
	REFERENCE EAR #	ENGINEER	DATE	DRAWING NO. 31-4411		
	CONFIGURATION LEVEL: In Work	K. CAPOZZI	13-Feb-15	ITEM NO. 31-4411		
FINISH	APPROVED	DATE	SCALE: 4.0:1.0	SHEET 2 OF 2	PART NO. 31-4411	
		K. CAPOZZI	6/1/15	DWG SIZE B	REV G	

NOTICE - These drawings, specifications, or other data (1) are, and remain the property of Amphenol corp. (2) must be returned upon request; and (3) are confidential and not to be disclosed to any person other than those to whom they are given by Amphenol Corp. the furnishing of these drawings, specifications, or other data by Amphenol Corp., or to any other person to anyone for any purpose is not to be regarded by implication or otherwise in any manner licensing, granting rights to permitting such holder or any other person to manufacture, use or sell any product, process or design, patented or otherwise, that may in any way be related to or disclosed by said drawings, specifications, or other data.

X-ON Electronics

Largest Supplier of Electrical and Electronic Components

Click to view similar products for [RF Connectors / Coaxial Connectors](#) category:

Click to view products by [Amphenol](#) manufacturer:

Other Similar products are found below :

[8915-1511-000](#) [89674-0827](#) [6001-7071-019](#) [6002-7051-003](#) [6002-7551-202](#) [6059674-1](#) [619550-1](#) [630059-000](#) [M39030/3-01N](#) [M3933/25-36N](#) [6500-7071-046](#) [6769](#) [CX050L2AQ](#) [7002-1542-011](#) [7004-1512-000](#) [7009-1511-004](#) [7010-1511-000](#) [7029-1511-060](#) [7101-1541-010](#) [7101-1571-002](#) [7105-1521-002](#) [7145-1521-002](#) [7203-1571-003](#) [7209-1511-011](#) [7210-1511-015](#) [7210-1511-019](#) [73137-5015](#) [73216-2241](#) [7325-1512-000](#) [73404-2300](#) [7405-1521-005](#) [7405-1521-802](#) [7406-1521-005](#) [8527](#) [8547](#) [FS11V](#) [8808-1511-001](#) [9049-9513-000](#) [9074-9513-000](#) [9101-9573-002](#) [910A205F](#) [9130-9573-002](#) [PL11SC-026](#) [PL375-33](#) [PL40-5](#) [PL71-9](#) [PL74C-221](#) [PL75MC-217](#) [PL803-7](#) [980-8666-005](#)