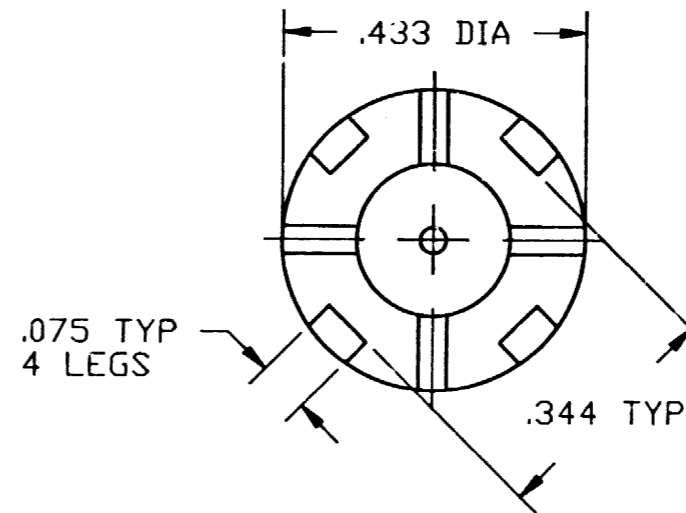
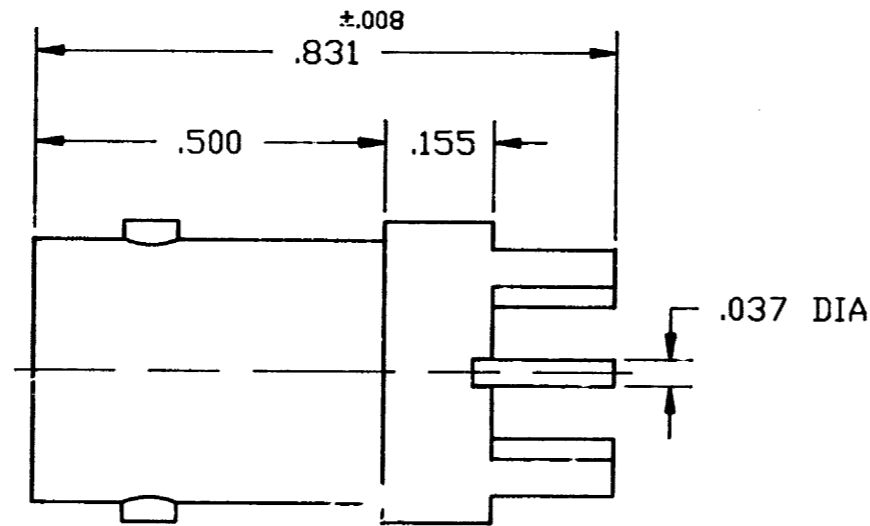


DO NOT SCALE THIS DRAWING

31-5329-71RFX		REVISIONS			
DRAWING NUMBER	SYM	DESCRIPTION	DATE	E.C.O. NO.	APPR.
	A	OFFICIAL ENG. RELEASE TO MFG.	04 MAY 93	39461	PB/RV



NOTES:

1. BRASS BGDY, NICKEL PLATED.
2. PBT POLYESTER INSULATOR.
3. PHOSPHOR BRONZE CONTACT, SILVER PLATED
4. PACKAGE IN BAG 999-226A, MARK BAG: "31-5329-71RFX".

PART NO.	QUAN	UOM	ITEM LINE NO	DESCRIPTION	CODE	FINISH
LIST OF MATERIAL						

H:\DEPT611\BNC\031\ASSY\532971RF

REMOVE ALL BURRS, BREAK CORNERS AND SHARP EDGES. USE MAXIMUM UNLESS OTHERWISE SPECIFIED.

NOTICE - These drawings, specifications, or other data (1) are, and remain the property of Amphenol Corp. (2) must be returned upon request; and (3) are confidential and are not to be disclosed to any person other than those to whom they are given by Amphenol Corp. The furnishing of these drawings, specifications, or other data by Amphenol Corp., or by any other person to anyone for any purpose is not to be regarded by implication or otherwise as in any manner licensing, granting rights or permitting such holder or any other person to manufacture, use or sell any product, process or design, patented or otherwise, that may in any way be related to or disclosed by said drawings, specifications or other data.

NEXT ASSY	USED ON	UNLESS OTHERWISE SPECIFIED DIMENSIONS ARE IN INCHES. TOLERANCES NOT OTHERWISE SPECIFIED ARE:		
MATERIAL	---	2 PLACE DECIMAL ±.015 (0.381 mm)	3 PLACE DECIMAL ±.005 (0.127 mm)	ANGLES ± 1°
SPECIFICATION	---	REFERENCE DRAWING NO EAR 112-963603		
FINISH	---			

DRAWN BY	DATE	TITLE
P. BRENZEL	3-30-93	75 OHM BNC RECEPTACLE PC MOUNT
CHECKED RAV	DATE 29 APR 93	
ENGINEER RVACCARO	DATE 29 APR 93	
QUALITY ASSURANCE W. J. [Signature]	DATE 4/29/93	
MFG ENG R. [Signature]	DATE 4/29/93	

Amphenol Corporation		RF/Microwave Operations		Danbury, Conn. U.S.A.	
SCALE 4:1	SHEET	OF	ISSUE		
CODE IDENTIFICATION	DRAWING SIZE	DRAWING NO.			
74868	B	31-5329-71RFX	A		

Design Products Co. Inc. Clearprint #1020

X-ON Electronics

Largest Supplier of Electrical and Electronic Components

Click to view similar products for [RF Connectors / Coaxial Connectors](#) category:

Click to view products by [Amphenol](#) manufacturer:

Other Similar products are found below :

[R125315120](#) [8915-1511-000](#) [89674-0827](#) [5916-1103-603](#) [6-0001-3](#) [6001-7071-019](#) [6002-7051-003](#) [6002-7551-202](#) [6059674-1](#) [619550-1](#)
[630059-000](#) [M39012/25-0021](#) [M39012/79-3008](#) [M39030/3-01N](#) [M39030/3-03N](#) [M3933/25-36N](#) [6500-7071-046](#) [M83723/72W24576](#)
[M83723/72W2457N](#) [6769](#) [CX050L2AQ](#) [7002-1541-010](#) [7002-1572-002](#) [7003-1572-002](#) [7010-1511-000](#) [7029-1511-060](#) [7101-1541-010](#)
[7101-1571-002](#) [7105-1521-002](#) [7145-1521-002](#) [7209-1511-011](#) [7210-1511-015](#) [7210-1511-019](#) [7225-1512-050](#) [7242-1511-000](#) [73137-5015](#)
[73251-0111](#) [73251-0672](#) [7325-1512-000](#) [73276-1501](#) [73366-0013](#) [73404-2300](#) [73413-6080](#) [73415-5721](#) [7405-1521-005](#) [7405-1521-802](#)
[7406-1521-005](#) [804S01D04M040](#) [8145-1521-002](#) [81590](#)