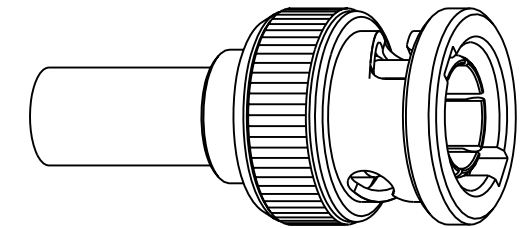


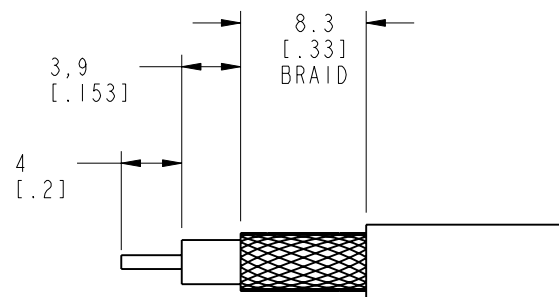
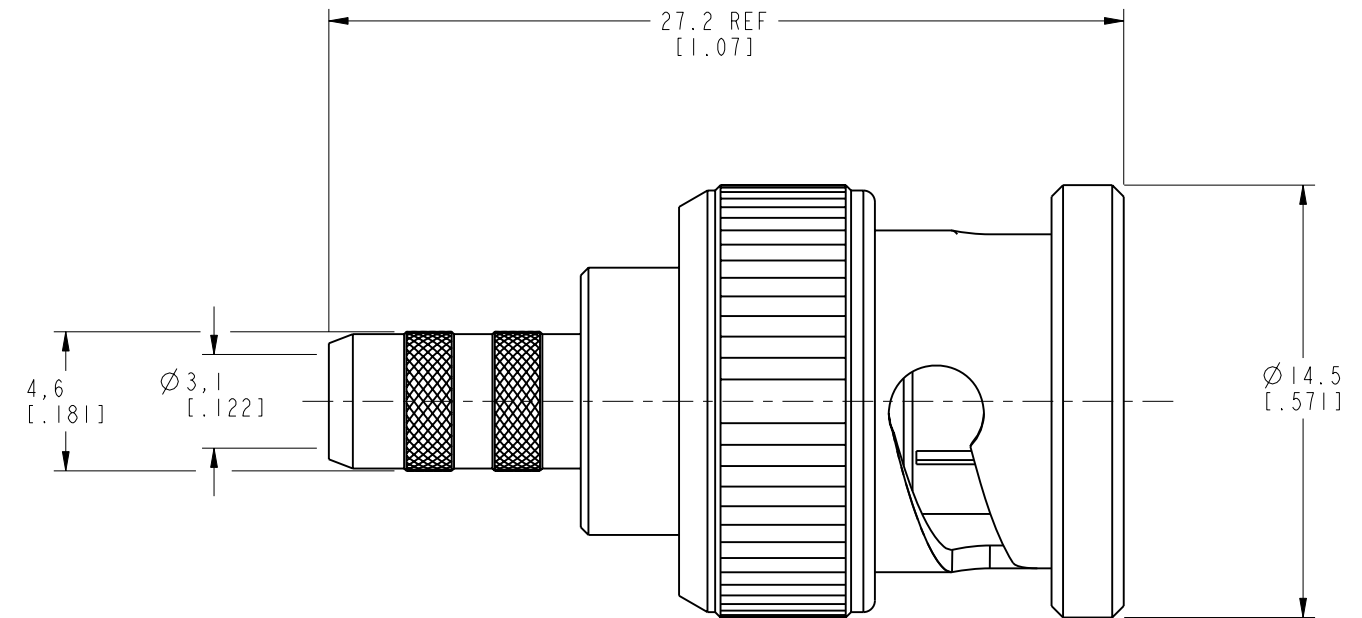
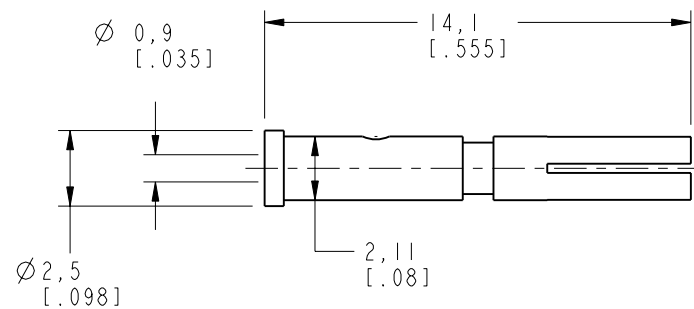
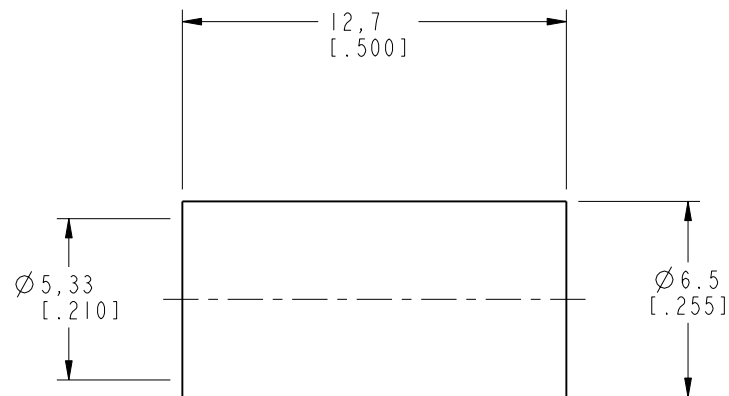
NOTES:

- MATERIALS OF CONSTRUCTION:
 SHELL, BODY, BARREL, RETAINER RING = BRASS (QQ-B-626), NICKEL PLATED
 CONTACT PIN = PHOSPHOR BRONZE, GOLD PLATED
 WASHER = BRASS (QQ-B-613), NICKEL PLATED
 FERRULE & SPRING = COPPER, NICKEL PLATED
 GASKET = SILICONE RUBBER, COLOR RED
 INSULATOR = TEFLON PER MIL-P-19468
- CRIMPED FERRULE, HEX CRIMP SIZE .213
 CRIMPED CONTACT, HEX CRIMP SIZE .068

31-6036		REVISIONS			
DRAWING NO.	REV	DESCRIPTION	DATE	ECO	APPR
THIRD ANGLE PROJ.	A	RELEASE TO MFG.	5/4/00	43352	CPM
	B	RG 58 - ADDITION TO DESCRIPTION	2/11/08	46922	VC



SCALE 2.000



RECOMMENDED CABLE STRIPPING DIMENSIONS
SCALE 2.000

CUSTOMER OUTLINE DRAWING
ALL OTHER SHEETS ARE FOR INTERNAL USE ONLY

UNLESS OTHERWISE SPECIFIED, DIMENSIONS ARE IN MM (INCHES) AND TOLERANCES ARE:
 0.5 - 6mm ±0.2mm 6 - 30mm ±0.4mm 30 - 120mm ±0.6mm

NOTICE - These drawings, specifications, or other data (1) are, and remain the property of Amphenol Corp. (2) must be returned upon request; and (3) are confidential and not to be disclosed to any person other than those to whom they are given by Amphenol Corp. The furnishing of these drawings, specifications, or other data by Amphenol Corp., or to any other person to anyone for any purpose is not to be regarded by implication or otherwise in any manner licensing, granting rights or permitting such holder or any other person to manufacture, use or sell any product, process or design, patented or otherwise, that may in any way be related to or disclosed by said drawings, specifications, or other data.

MATERIAL	DRAWN	DATE	TITLE
REFERENCE EAR 967549-0 GEN# 31-6036_ASSY	C. McGRATH	01-May-00	BNC REVERSE POLARITY CRIMP PLUG RG 58 STANDARD CABLE
	ENGINEER	DATE	Amphenol Amphenol Corporation Communication and Network Products Division Danbury, CT U.S.A. 06810
	T. AUBIN	01-May-00	SCALE: 4.0:1 SHEET 2 OF 2
	APPROVED	DATE	
	T. AUBIN	05-FEB-00	
	CAD FILE	CODE ID	DWG SIZE
	I:\BNC\31-6036	74868	B

DRAWING NO.	REV	DESCRIPTION	DATE	ECO	APPR
31-6036	B	RG 58 - ADDITION TO DESCRIPTION	2/11/08	46922	VC

DRAWING NO.	REV	DESCRIPTION	DATE	ECO	APPR
31-6036	B	RG 58 - ADDITION TO DESCRIPTION	2/11/08	46922	VC

X-ON Electronics

Largest Supplier of Electrical and Electronic Components

Click to view similar products for [RF Connectors / Coaxial Connectors](#) category:

Click to view products by [Amphenol](#) manufacturer:

Other Similar products are found below :

[8915-1511-000](#) [89674-0827](#) [6001-7071-019](#) [6002-7051-003](#) [6002-7551-202](#) [6059674-1](#) [619550-1](#) [630059-000](#) [M39030/3-01N](#) [M3933/25-36N](#) [6500-7071-046](#) [6769](#) [CX050L2AQ](#) [7002-1542-011](#) [7004-1512-000](#) [7009-1511-004](#) [7010-1511-000](#) [7029-1511-060](#) [7101-1541-010](#) [7101-1571-002](#) [7105-1521-002](#) [7145-1521-002](#) [7203-1571-003](#) [7209-1511-011](#) [7210-1511-015](#) [7210-1511-019](#) [73137-5015](#) [73216-2241](#) [7325-1512-000](#) [73404-2300](#) [7405-1521-005](#) [7405-1521-802](#) [7406-1521-005](#) [8527](#) [8547](#) [FS11V](#) [8808-1511-001](#) [9049-9513-000](#) [9074-9513-000](#) [9101-9573-002](#) [910A205F](#) [9130-9573-002](#) [PL11SC-026](#) [PL375-33](#) [PL40-5](#) [PL71-9](#) [PL74C-221](#) [PL75MC-217](#) [PL803-7](#) [980-8666-005](#)