

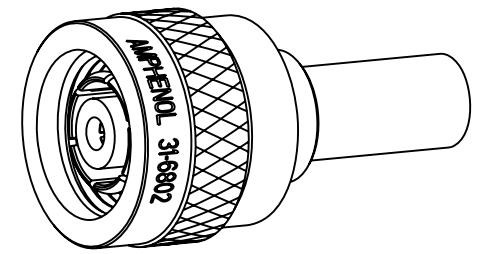
NOTES:

1. MATERIALS AND FINISHES:  
 BODY, COUPLING NUT &  
 WASHER -BRASS, NICKEL PLATING  
 CONTACT -PHOSPHOR BRONZE, GOLD PLATING  
 INSULATOR - PTFE, NATURAL  
 GASKET - SILICONE RUBBER, RED  
 FERRULE - COPPER, NICKEL PLATING
2. ELECTRICAL:  
 A. IMPEDANCE: 50 OHM  
 B. FREQUENCY RANGE: DC - 6 GHz  
 C. VSWR:1.40 MAX
3. MECHANICAL:  
 A. DURABILITY: 500 CYCLES MIN.  
 B. TEMPERATURE RANGE: -65°C TO +165°C

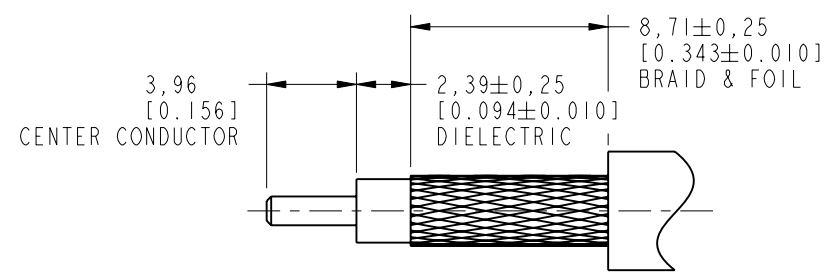
4. PACKAGING:  
 A. QUANTITY: SINGLE PACK  
 B. MARKING: BAG TO BE MARKED  
 "AMPHENOL RF, 31-6802, AND DATE CODE"
5. CABLE ASSEMBLY INSTRUCTIONS:  
 A. TRIM CABLE AS SHOWN.  
 B. SLIDE FERRULE ONTO THE CABLE.  
 C. SOLDER CABLE CENTER CONDUCTOR TO CENTER CONTACT.  
 D. CRIMP CONTACT WITH AMPHENOL TOOL 227-944 (M22520/5-01) & DIE SET 227-1221-11,  
 CAVITY 'B' (M22520/5-11,CLOSURE 'B'). (0.068" HEX)  
 E. CRIMP FERRULE WITH AMPHENOL TOOL 227-944 (M22520/5-01) & DIE SET 227-1221-11,  
 CAVITY 'A' (M22520/5-11,CLOSURE 'A'). (0.213" HEX)
6. HEAT SHRINK TUBING SUPPLIED ON REQUEST (68180-1).  
 7 SHOWS CABLE ENTRY DIMENSIONS.

THIRD ANGLE PROJ.

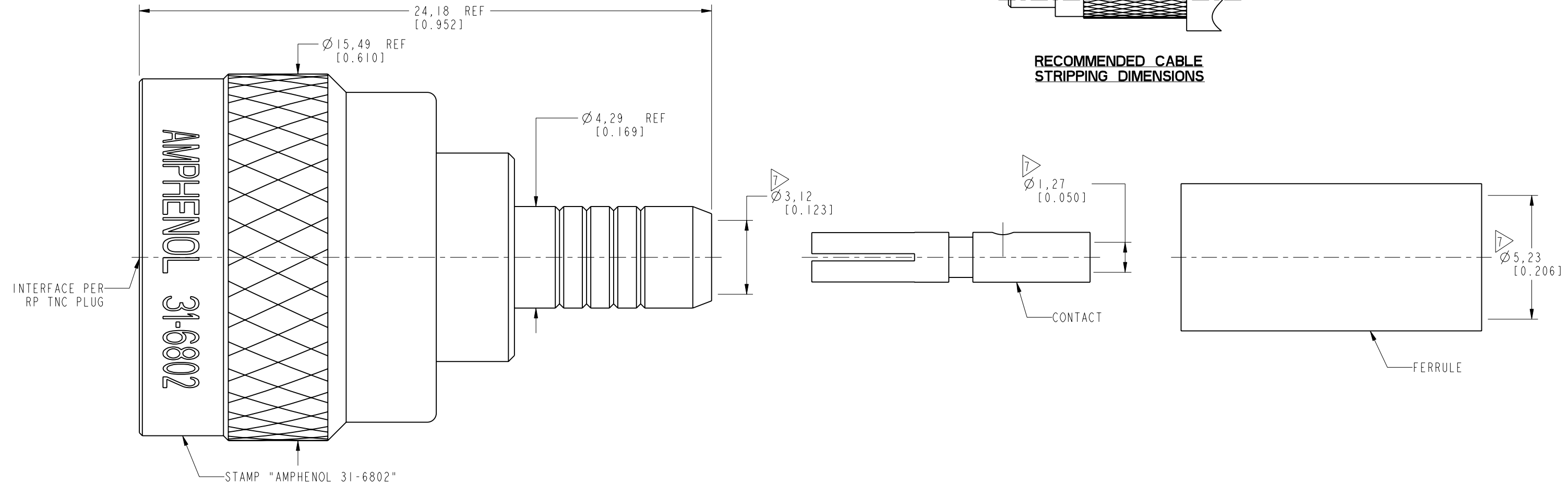
REV		DESCRIPTION	DATE	ECO	APPR
A		RELEASE TO MFG.	15-Sept-17	05343	RD



SCALE 2.000



RECOMMENDED CABLE STRIPPING DIMENSIONS



**CONFIGURATION CONTROL:**  
 NO CHANGES PERMITTED TO DRAWING WITHOUT  
 PPAQ QUALIFIED CUSTOMER APPROVAL

**CUSTOMER OUTLINE DRAWING**  
 ALL OTHER SHEETS ARE FOR INTERNAL USE ONLY

UNLESS OTHERWISE SPECIFIED, DIMENSIONS ARE IN METRIC AND TOLERANCES ARE: <0.5mm ±0.05mm    0.5 - 6mm ±0.1mm    6 - 30mm ±0.2mm    30 - 120mm ±0.3mm    ANGLES ±1°  NOTICE - These drawings, specifications, or other data (1) are, and remain the property of Amphenol corp. (2) must be returned upon request; and (3) are confidential and not to be disclosed to any person other than those to whom they are given by Amphenol Corp. the furnishing of these drawings, specifications, or other data by Amphenol Corp., or to any other person to anyone for any purpose is not to be regarded by implication or otherwise in any manner licensing, granting rights to permitting such holder or any other person to manufacture, use or sell any product, process or design, patented or otherwise, that may in any way be related to or disclosed by said drawings, specifications, or other data.	MATERIAL	DRAWN	DATE	TITLE	Amphenol RF www.amphenolrf.com  DRAWING NO. 31-6802 ITEM NO. 31-6802 PART NO. 31-6802
	SEE NOTES	VIJI K	25-May-17	RP TNC STR PLUG FOR RG 58/U CABLE	
	REFERENCE	ENGINEER	DATE		
	EAR# 7699	VIJI K	25-May-17		
	REF: 31-5677	APPROVED	DATE		
CONFIGURATION LEVEL: In Work	S.HSIEH	17-Oct-17	SCALE: 6.0:1.0	SHEET 2 OF 2	
FINISH	CAD FILE		DWG SIZE B	REV A	

## X-ON Electronics

Largest Supplier of Electrical and Electronic Components

*Click to view similar products for [RF Connectors / Coaxial Connectors](#) category:*

*Click to view products by [Amphenol](#) manufacturer:*

Other Similar products are found below :

[8915-1511-000](#) [89674-0827](#) [6001-7071-019](#) [6002-7051-003](#) [6002-7551-202](#) [6059674-1](#) [619550-1](#) [630059-000](#) [M39030/3-01N](#) [6500-7071-046](#) [6769](#) [CX050L2AQ](#) [7002-1541-010](#) [7002-1542-011](#) [7002-1572-002](#) [7003-1542-011](#) [7004-1512-000](#) [7009-1511-004](#) [7010-1511-000](#) [7029-1511-060](#) [7101-1541-010](#) [7101-1571-002](#) [7145-1521-002](#) [7203-1571-003](#) [7209-1511-011](#) [7210-1511-015](#) [7210-1511-019](#) [73137-5015](#) [73216-2241](#) [73404-2300](#) [7405-1521-005](#) [7405-1521-802](#) [8527](#) [8547](#) [FS11V](#) [9049-9513-000](#) [9074-9513-000](#) [9101-9573-002](#) [910A205F](#) [9130-9573-002](#) [PL11SC-026](#) [PL375-33](#) [PL40-5](#) [PL74C-221](#) [PL75MC-217](#) [PL803-7](#) [980-8666-005](#) [1200690078](#) [1-201144-1](#) [R107003010W](#)