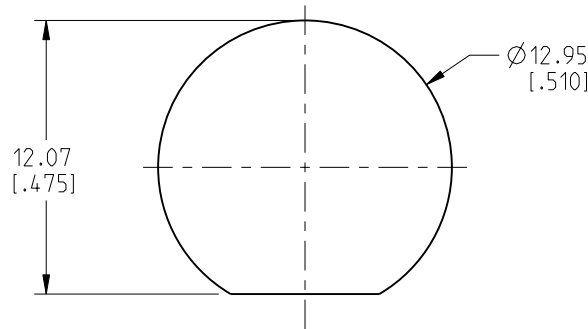


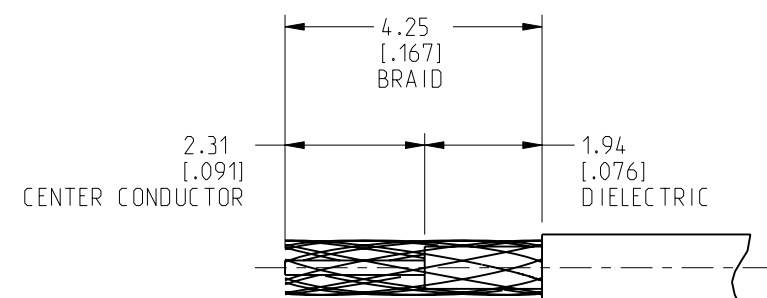
NOTES:

- MATERIALS AND FINISHES:
    - BODY - BRASS, ELECTROLESS NICKEL PLATING
    - CONTACT - PHOSPHOR BRONZE, GOLD PLATING
    - BULLET CONTACT - BRASS, GOLD PLATING
    - FERRULE - BRASS, NICKEL PLATING
    - INSULATOR - PTFE, NATURAL
    - O-RING - SILICONE RUBBER, RED
  - ELECTRICAL:
    - A. IMPEDANCE: 50 OHM
    - B. FREQUENCY RANGE: DC-6 GHz
    - C. VSWR(RETURN LOSS): 1.25 (-19.1 dB), MAX. @ DC-3 GHz
    - D. DIELECTRIC WITHSTANDING VOLTAGE: 200 VRMS, MIN.
  - MECHANICAL:
    - A. DURABILITY: 500 CYCLES MIN.
    - B. TEMPERATURE RANGE: -65°C TO +165°C
  - PACKAGING:
    - A. QUANTITY: SINGLE PACK
    - B. MARKING: PACKAGING TO BE MARKED "AMPHENOL RF, 31-6900, AND DATE CODE"
  - CABLE ASSEMBLY INSTRUCTIONS:
    - A. STRIP CABLE TO DIMENSIONS SHOWN.
    - B. INSERT THROUGH INNER FERRULE AND PEEL BRAID BACK OVER INNER FERRULE.
    - C. INSTALL INSULATOR DISC OVER CABLE DIELECTRIC, BOTTOMING ON BRAID.
    - D. SOLDER BULLET CONTACT TO CABLE CENTER CONDUCTOR, BOTTOMING ON INSULATOR DISC.
    - E. INSERT CABLE INTO CONNECTOR UNTIL IT BOTTOMS.
    - F. CRIMP BODY OVER INNER FERRULE USING .105" HEX.
6. SHOWS CABLE ENTRY DIMENSIONS
7. RECOMMENDED MOUNTING TORQUE: 8-10 INCH-POUNDS

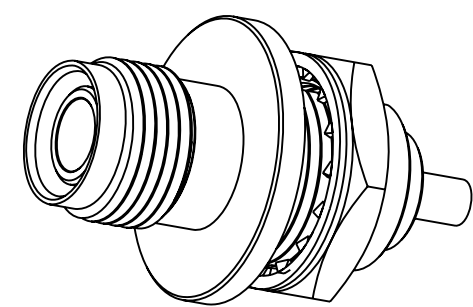
REVISIONS				
REV	DESCRIPTION	DATE	ECN	BY
A	RELEASE TO MFG.	4-DEC-20	15355	S.HSIEH



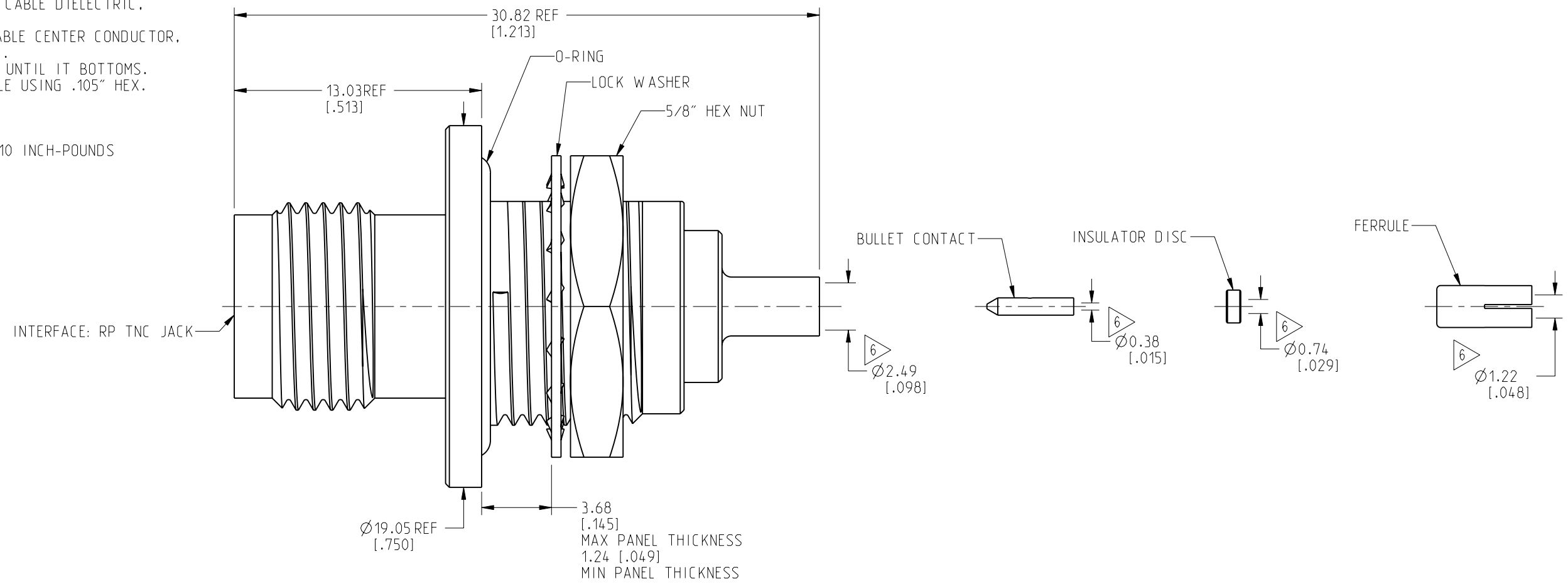
RECOMMENDED MOUNTING HOLE



RECOMMENDED CABLE STRIPPING DIMENSIONS



SCALE 2.000



**CUSTOMER OUTLINE DRAWING**  
ALL OTHER SHEETS ARE FOR INTERNAL USE ONLY

NOTICE: These drawings, specifications, or other data (1) are, and remain the property of Amphenol corp. (2) must be returned upon request; and (3) are confidential and not to be disclosed to any person other than those to whom they are given by Amphenol Corp. The furnishing of these drawings, specifications, or other data by Amphenol Corp., or to any other person to anyone for any purpose is not to be regarded by implication or otherwise in any manner licensing, granting rights to permitting such holder or any other person to manufacture, use or sell any product, process or design, patented or otherwise, that may in any way be related to or disclosed by said drawings, specifications, or other data.

THIRD ANGLE PROJ. REFERENCE EAR# 9580

UNLESS OTHERWISE SPECIFIED DIMENSIONS ARE METRIC (INCHES) AND TOLERANCES ARE:

<0.5mm = ±0.05mm	[<0.020 = ±0.002]
>0.5 - 6mm = ±0.1mm	[>0.020 - 0.236 = ±0.004]
>6.00 - 30mm = ±0.2mm	[>0.236 - 1.181 = ±0.008]
>30.00 - 120mm = ±0.3mm	[>1.181 - 4.725 = ±0.012]

ANGLES = ±1°

MATERIAL ENGINEER E.W.U DATE 3-DEC-20

TITLE RP TNC BHD JACK FRONT MOUNT FOR 1.13MM CABLE IP67 SHEET NO. 2 OF 2 SCALE: 4.0:1.0

Amphenol RF

SIZE B	DRAWING NO. 31-6900	REV A
	ITEM NO. 31-6900	
	PART NO. 31-6900	

## X-ON Electronics

Largest Supplier of Electrical and Electronic Components

*Click to view similar products for [RF Connectors](#) / [Coaxial Connectors](#) category:*

*Click to view products by [Amphenol](#) manufacturer:*

Other Similar products are found below :

[8915-1511-000](#) [89674-0827](#) [6001-7071-019](#) [6002-7051-003](#) [6059674-1](#) [619550-1](#) [630059-000](#) [M39030/3-01N](#) [6500-7071-046](#) [6769](#)  
[CX050L2AQ](#) [7002-1541-010](#) [7002-1542-011](#) [7002-1572-002](#) [7003-1542-011](#) [7004-1512-000](#) [7009-1511-004](#) [7010-1511-000](#) [7029-1511-](#)  
[060](#) [7101-1541-010](#) [7101-1571-002](#) [7145-1521-002](#) [7203-1571-003](#) [7209-1511-011](#) [7210-1511-015](#) [7210-1511-019](#) [73137-5015](#) [73216-](#)  
[2241](#) [73404-2300](#) [7405-1521-005](#) [7405-1521-802](#) [8527](#) [8547](#) [FS11V](#) [9049-9513-000](#) [9074-9513-000](#) [9101-9573-002](#) [910A205F](#) [9130-](#)  
[9573-002](#) [PL11SC-026](#) [PL375-33](#) [PL40-5](#) [PL74C-221](#) [PL75MC-217](#) [PL803-7](#) [980-8666-005](#) [1200690078](#) [1-201144-1](#) [R107003010W](#)  
[R110A172100](#)