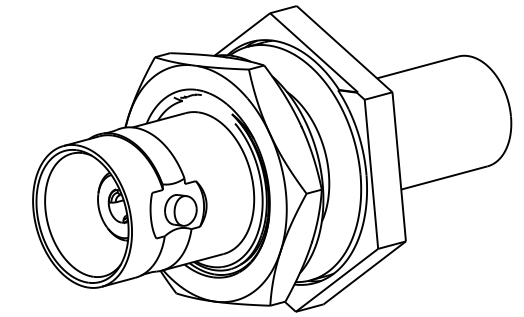


- NOTES:
- MATERIALS AND FINISHES:**  
 BODY, LOCKWASHER, RETAINING RING & HEX NUT - BRASS, NICKEL PLATING  
 CONTACT - BeCu, GOLD PLATING  
 BULLET CONTACT - BRASS, GOLD PLATING  
 FERRULE - COPPER, NICKEL PLATING  
 INSULATOR - PTFE, NATURAL  
 GASKET & O-RING - SILICONE RUBBER, RED
  - ELECTRICAL:**  
 A. IMPEDANCE: 50 OHM  
 B. FREQUENCY RANGE: DC - 6 GHz  
 C. VSWR(RETURN LOSS): 1.20 MAX. @ DC - 3 GHz  
 1.30 MAX. @ 3 - 6 GHz  
 D. DIELECTRIC WITHSTANDING VOLTAGE: 1000 VRMS, MIN.
  - MECHANICAL:**  
 A. DURABILITY: 500 CYCLES MIN.  
 B. TEMPERATURE RANGE: -65° C TO +165° C

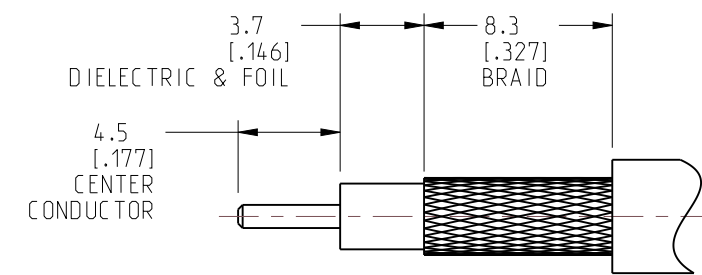
- PACKAGING:**  
 A. QUANTITY: SINGLE PACK  
 B. MARKING: BAG TO BE MARKED "AMPHENOL RF. 31-6928. DATE CODE"
- RECOMMENDED CABLE ASSEMBLY INSTRUCTIONS:**  
 A. TRIM CABLE AS SHOWN.  
 B. SLIDE FERRULE AND INSULATOR DISC ONTO CABLE.  
 C. SOLDER CABLE CENTER CONDUCTOR TO BULLET CONTACT.  
 D. INSERT CABLE WITH FOIL ENTERING CONNECTOR AND BRAID OVER KNURL.  
 E. CRIMP FERRULE OVER BRAID WITH 0.255" HEX DIE.

6 SHOWS CABLE ENTRY DIMENSIONS.

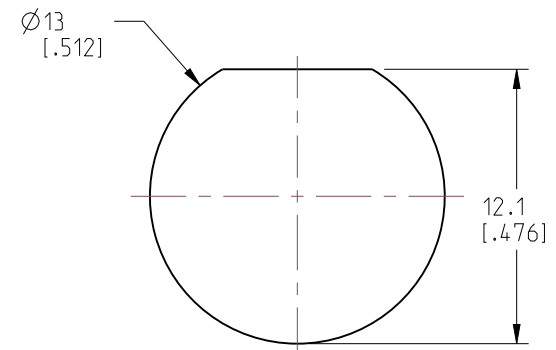
REVISIONS				
REV	DESCRIPTION	DATE	ECN	APPR
A	RELEASE TO MFG.	25-JAN-21	15543	SH



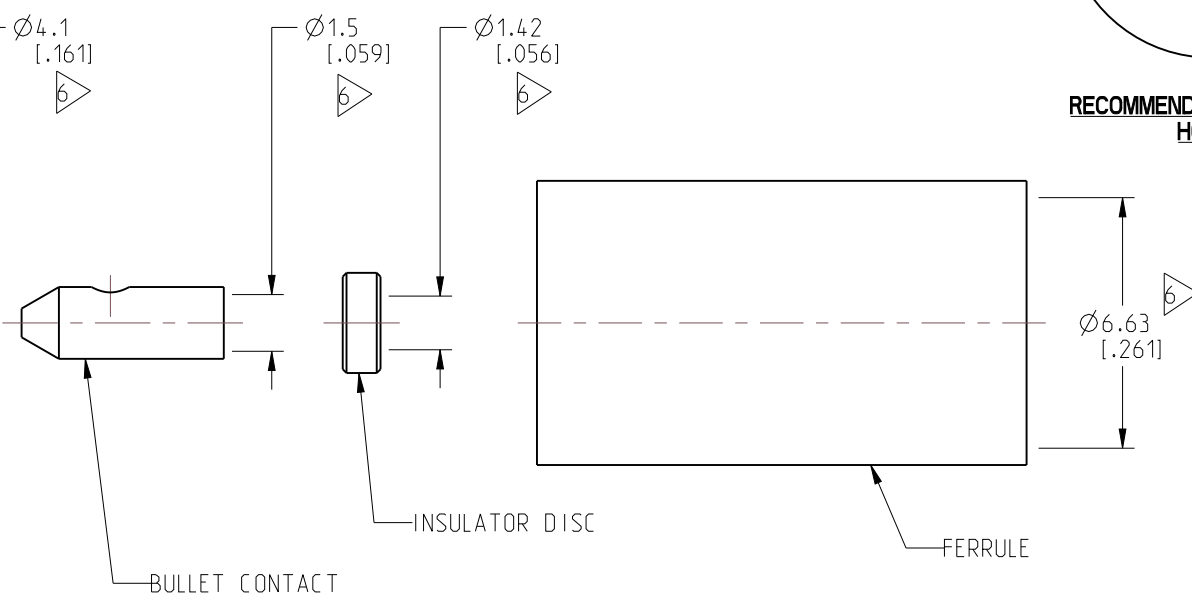
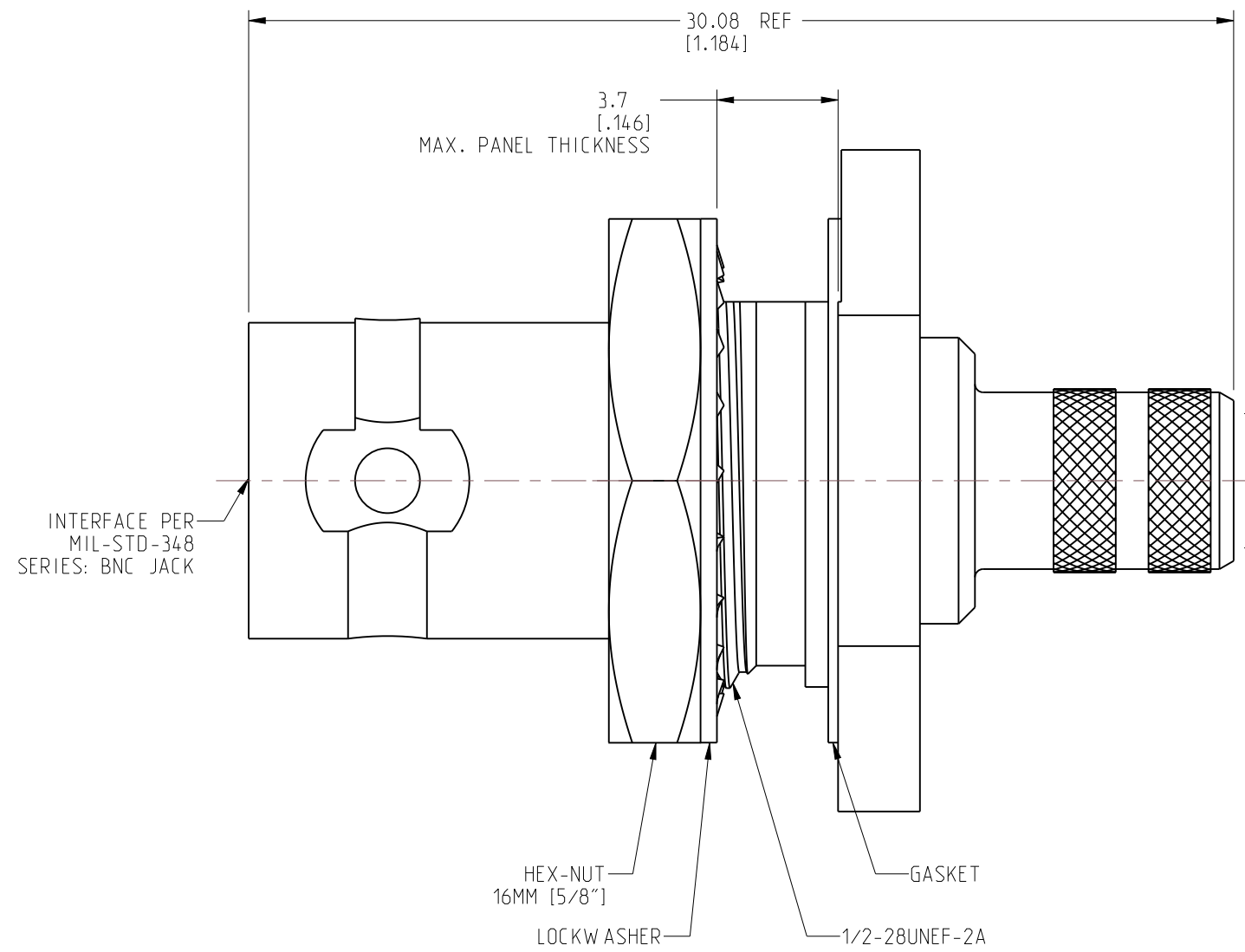
SCALE 2.000



RECOMMENDED CABLE STRIPPING DIMENSIONS



RECOMMENDED MOUNTING HOLE



**CUSTOMER OUTLINE DRAWING**

ALL OTHER SHEETS ARE FOR INTERNAL USE ONLY

NOTICE: These drawings, specifications, or other data (1) are, and remain the property of Amphenol corp. (2) must be returned upon request; and (3) are confidential and not to be disclosed to any person other than those to whom they are given by Amphenol Corp. The furnishing of these drawings, specifications, or other data by Amphenol Corp., or to any other person to anyone for any purpose is not to be regarded by implication or otherwise in any manner licensing, granting rights to permitting such holder or any other person to manufacture, use or sell any product, process or design, patented or otherwise, that may in any way be related to or disclosed by said drawings, specifications, or other data.		UNLESS OTHERWISE SPECIFIED DIMENSIONS ARE METRIC (INCHES) AND TOLERANCES ARE: <0.5mm = ±0.05mm [-0.020 = ±0.002] >0.5 - 6mm = ±0.1mm [-0.020 - 0.236 = ±0.004] >6.00 - 30mm = ±0.2mm [-0.236 - 1.181 = ±0.008] >30.00 - 120mm = ±0.3mm [-1.181 - 4.725 = ±0.012]		MATERIAL SEE NOTES		TITLE BNC STR BHD JACK IP67 FOR LMR-240-UF, LMR-240 CABLE		<b>Amphenol RF</b>	
THIRD ANGLE PROJ.		REFERENCE 31-6921		EAR# 10075		ANGLES = ±1°		ENGINEER E.W.U	
DATE 20-JAN-21		SHEET NO. 2 OF 2		SCALE: 5.0:1.0		DRAWING NO. 31-6928		REV A	
ITEM NO. 31-6928		PART NO. 31-6928		SIZE B		REV A		REV A	

## X-ON Electronics

Largest Supplier of Electrical and Electronic Components

*Click to view similar products for [RF Connectors / Coaxial Connectors](#) category:*

*Click to view products by [Amphenol](#) manufacturer:*

Other Similar products are found below :

[8915-1511-000](#) [89674-0827](#) [6001-7071-019](#) [6002-7051-003](#) [6059674-1](#) [619550-1](#) [630059-000](#) [M39030/3-01N](#) [6500-7071-046](#) [6769](#)  
[CX050L2AQ](#) [7002-1541-010](#) [7002-1542-011](#) [7002-1572-002](#) [7003-1542-011](#) [7004-1512-000](#) [7009-1511-004](#) [7010-1511-000](#) [7029-1511-](#)  
[060](#) [7101-1541-010](#) [7101-1571-002](#) [7145-1521-002](#) [7203-1571-003](#) [7209-1511-011](#) [7210-1511-015](#) [7210-1511-019](#) [73137-5015](#) [73216-](#)  
[2241](#) [73404-2300](#) [7405-1521-005](#) [7405-1521-802](#) [8527](#) [8547](#) [FS11V](#) [9049-9513-000](#) [9074-9513-000](#) [9101-9573-002](#) [910A205F](#) [9130-](#)  
[9573-002](#) [PL11SC-026](#) [PL375-33](#) [PL40-5](#) [PL74C-221](#) [PL75MC-217](#) [PL803-7](#) [980-8666-005](#) [1200690078](#) [1-201144-1](#) [R107003010W](#)  
[R110A172100](#)