

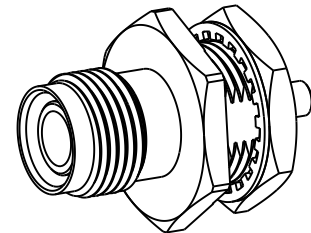
NOTES:

- 1. MATERIALS AND FINISHES:
BODY, INNER FERRULE, HEX NUT, SLEEVE AND LOCK WASHER - BRASS, NICKEL PLATING
CONTACT - BeCu, GOLD PLATING
BULLET CONTACT - BRASS, GOLD PLATING
INSULATOR AND INSULATOR DISC - PTFE, NATURAL
GASKET AND O-RING - SILICONE RUBBER, RED
- 2. ELECTRICAL:
A. IMPEDANCE: 50 OHM
B. FREQUENCY RANGE: DC - 9 GHz
C. VSWR: 1.30 MAX. @ DC - 3 GHz
1.40 MAX. @ 3 - 6 GHz
1.50 MAX. @ 6 - 9 GHz
D. DIELECTRIC WITHSTANDING VOLTAGE: 500 VRMS, MIN.
- 3. MECHANICAL:
A. DURABILITY: 500 CYCLES MIN.
B. TEMPERATURE RANGE: -65°C TO +165°C
C. SEALING: MEETS IP-67 REQUIREMENTS IN UNMATED CONDITION.

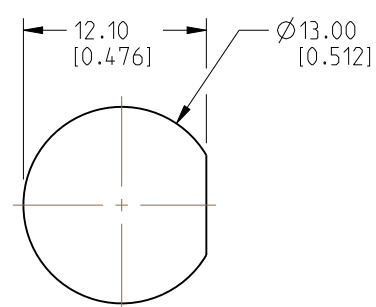
- 4. PACKAGING:
A. QUANTITY: SINGLE PACK
B. MARKING: PACKAGING TO BE MARKED "AMPHENOL RF, 31-7010 AND DATE CODE"
C. GASKET, LOCK WASHER, HEX NUT, BULLET CONTACT, INSULATOR DISC, SLEEVE AND INNER FERRULE ARE PACKAGED LOOSE.
- 5. CABLE ASSEMBLY INSTRUCTIONS:
A. TRIM CABLE AS SHOWN (TWO STAGE TRIM).
B. INSERT CABLE THROUGH INNER FERRULE AND PEEL BRAID BACK, OVER INNER FERRULE.
C. INSTALL SLEEVE AND INSULATOR DISC OVER CABLE, BOTTOMING ON INNER FERRULE.
D. SOLDER BULLET CONTACT TO CABLE CENTER CONDUCTOR, BOTTOMING ON INSULATOR DISC.
E. INSERT CABLE INTO CONNECTOR UNTIL IT BOTTOMS.
F. CRIMP BODY OVER INNER FERRULE USING 0.105" HEX

6. SHOWS CABLE ENTRY DIMENSIONS.

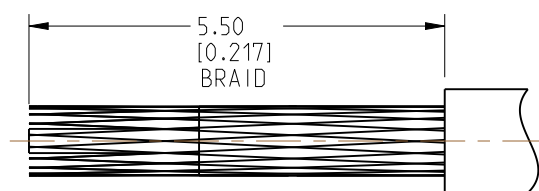
REVISIONS				
REV	DESCRIPTION	DATE	ECN	BY
A	RELEASE TO MFG.	16-NOV-23	16822	SH



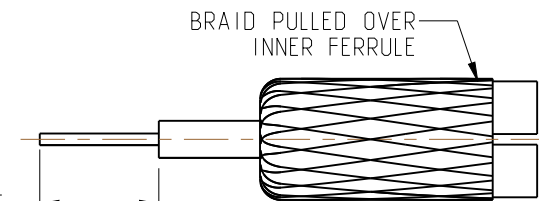
SCALE 1.500



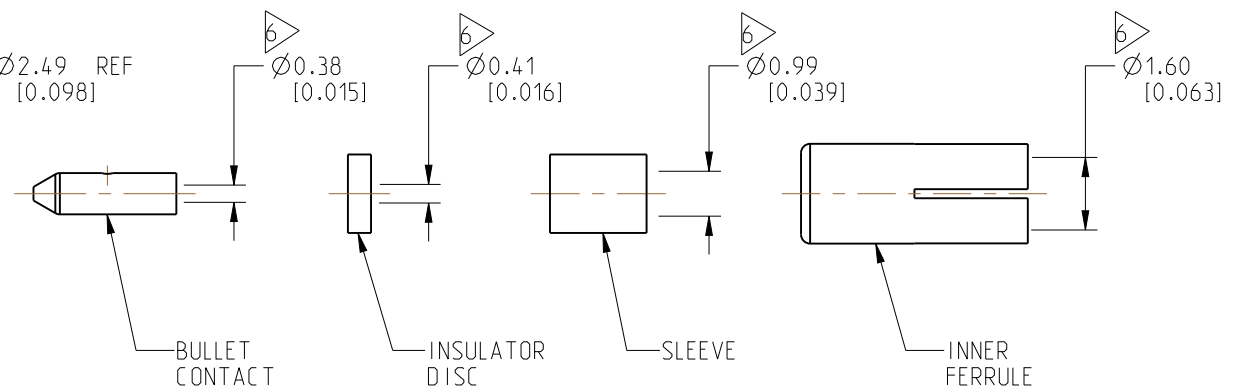
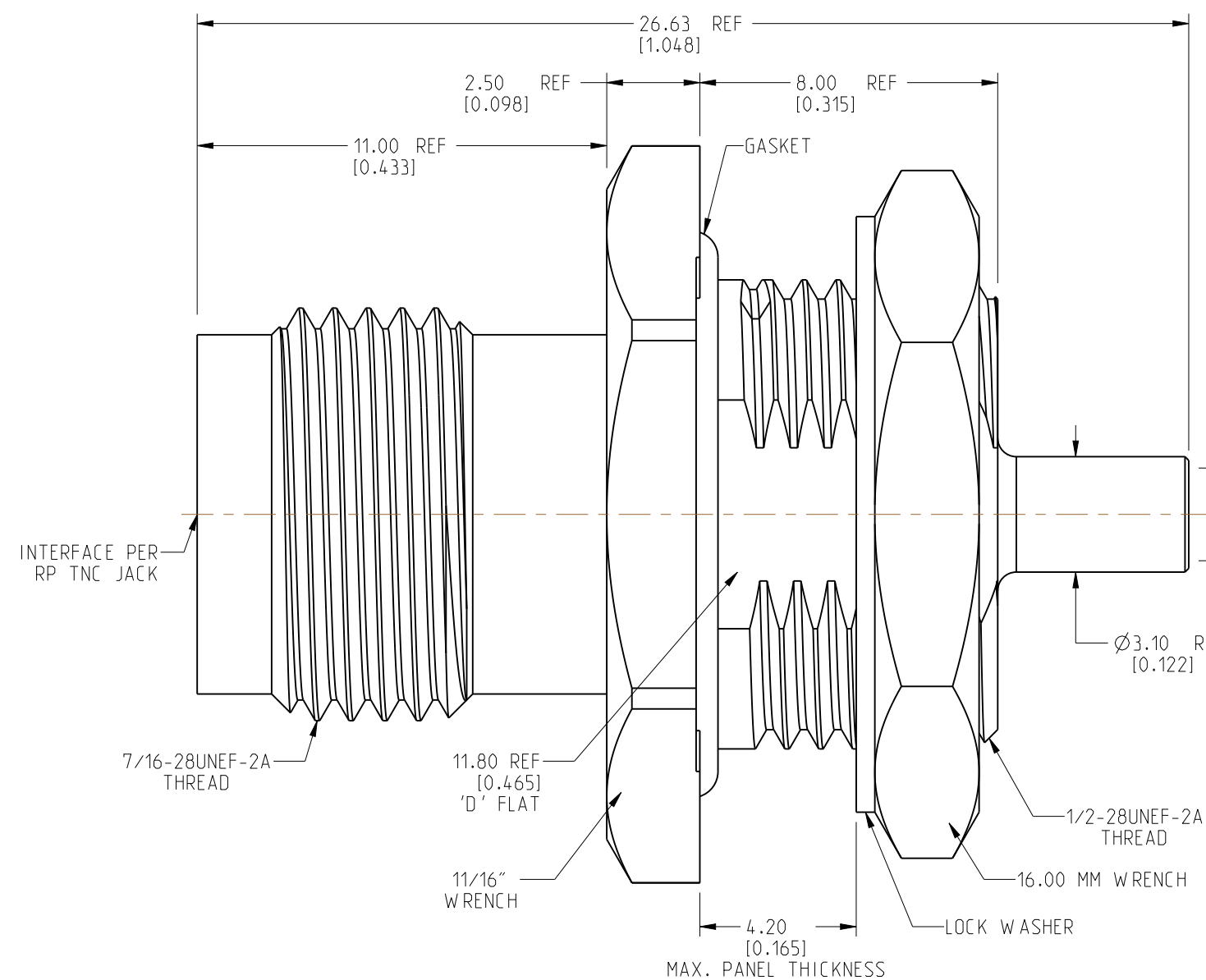
RECOMMENDED MOUNTING HOLE DIMENSIONS



RECOMMENDED CABLE STRIPPING DIMENSIONS (TRIM 1)



RECOMMENDED CABLE STRIPPING DIMENSIONS (TRIM 2)



CUSTOMER OUTLINE DRAWING
ALL OTHER SHEETS ARE FOR INTERNAL USE ONLY

NOTICE: These drawings, specifications, or other data (1) are, and remain the property of Amphenol corp. (2) must be returned upon request; and (3) are confidential and not to be disclosed to any person other than those to whom they are given by Amphenol Corp. The furnishing of these drawings, specifications, or other data by Amphenol Corp., or to any other person to anyone for any purpose is not to be regarded by implication or otherwise in any manner licensing, granting rights to permitting such holder or any other person to manufacture, use or sell any product, process or design, patented or otherwise, that may in any way be related to or disclosed by said drawings, specifications, or other data.

UNLESS OTHERWISE SPECIFIED DIMENSIONS ARE METRIC (INCHES) AND TOLERANCES ARE:
 <0.5mm = ±0.05mm [-0.020 = ±0.002]
 >0.5 - 6mm = ±0.1mm [-0.020 - 0.236 = ±0.004]
 >6.00 - 30mm = ±0.2mm [-0.236 - 1.181 = ±0.008]
 >30.00 - 120mm = ±0.3mm [-1.181 - 4.725 = ±0.012]

MATERIAL: SEE NOTES
 ENGR.1 D INESH A ENGR.2 JACK LIANG DATE 28-APR-21

TITLE: RP TNC STR BHD JACK FRONT MOUNT IP 67 FOR 1.37 MM CABLE
 SHEET NO. 2 OF 2 SCALE: 6.0:1.0

SIZE B		DRAWING NO. 31-7010		REV A
		ITEM NO. 31-7010		
		PART NO. 31-7010		

THIRD ANGLE PROJ.

REFERENCE

EAR# 10560

ANGLES = ±1°

X-ON Electronics

Largest Supplier of Electrical and Electronic Components

Click to view similar products for [RF Connectors](#) / [Coaxial Connectors](#) category:

Click to view products by [Amphenol](#) manufacturer:

Other Similar products are found below :

[89674-0827](#) [6059674-1](#) [630059-000](#) [6501-1071-002](#) [6769](#) [7002-1541-010](#) [7002-1572-002](#) [7004-1512-000](#) [7009-1511-004](#) [7101-1541-010](#)
[7101-1571-002](#) [7105-1521-002](#) [7203-1571-003](#) [7209-1511-011](#) [7210-1511-040](#) [7242-1511-000](#) [7405-1521-005](#) [7405-1521-802](#)
[804S01D04M040](#) [8527](#) [8547](#) [FS11V](#) [877931](#) [8808-1511-001](#) [9049-9513-000](#) [9074-9513-000](#) [PL11C-026](#) [PL40-36](#) [9408-1113-000](#) [980-](#)
[8666-005](#) [11 SMA-50-2-6 / 111 NE](#) [11 SMA-50-3-6 / 111 NE](#) [1-201144-1](#) [120919](#) [R107003010W](#) [R112186000](#) [R113053000W](#) [R113082097](#)
[R113236000](#) [R114083000](#) [R114670000W](#) [R123415000W](#) [R124076320](#) [R124076450](#) [R124175123](#) [R125075000W](#) [R125075001](#)
[R125172000W](#) [R125415030](#) [R141007161](#)