

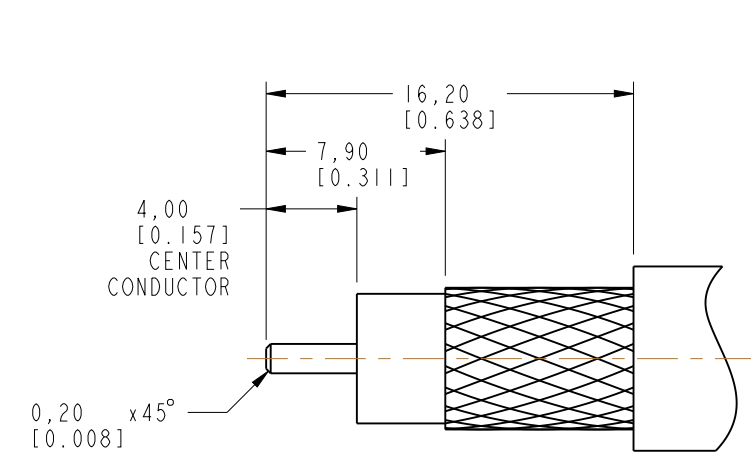
NOTES:

- MATERIALS AND FINISHES:**  
 BODY, BARREL, SHELL, WASHER, & FERRULE - BRASS, NICKEL PLATING  
 CONTACT - BRASS, GOLD PLATING  
 OUTER CONTACT - BeCu, NICKEL PLATING  
 SPRING - STAINLESS STEEL, NICKEL PLATING  
 INSULATOR - PTFE, NATURAL  
 GASKET - SILICONE RUBBER, RED
- ELECTRICAL:**  
 A. IMPEDANCE: 75 OHM  
 B. FREQUENCY RANGE: DC - 12 GHz  
 C. RETURN LOSS: 23 dB MIN @ DC - 6 GHz  
 19 dB MIN @ 6 - 12 GHz
- MECHANICAL:**  
 A. DURABILITY: 500 CYCLES MIN.  
 B. TEMPERATURE RANGE: -65°C TO +165°C

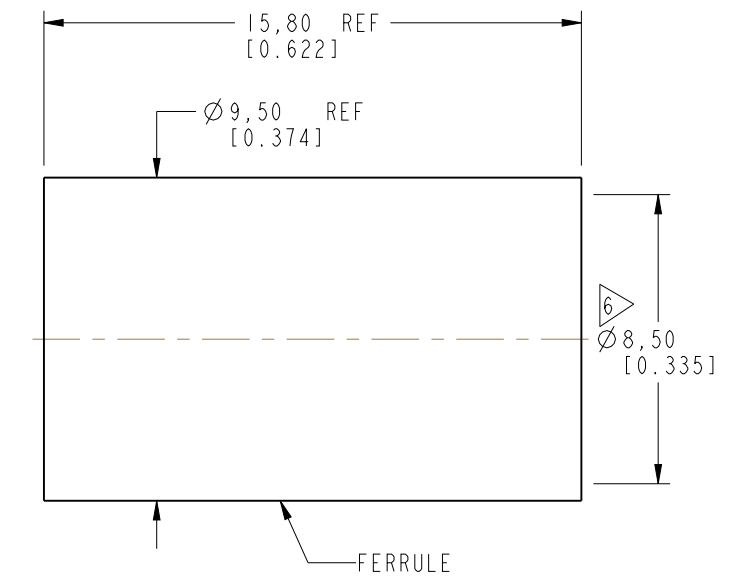
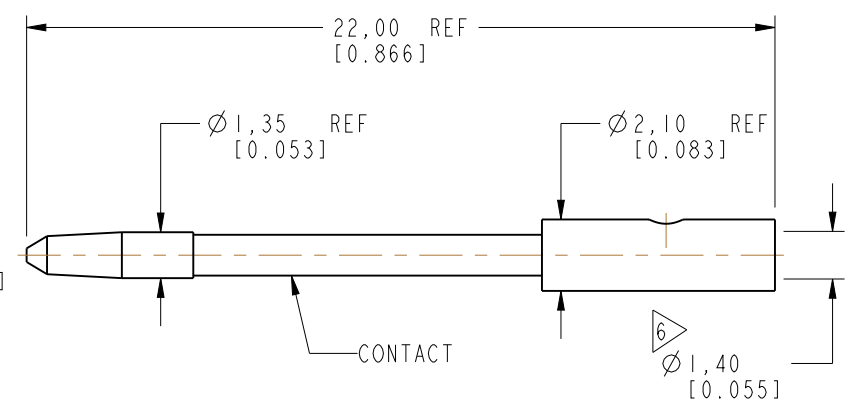
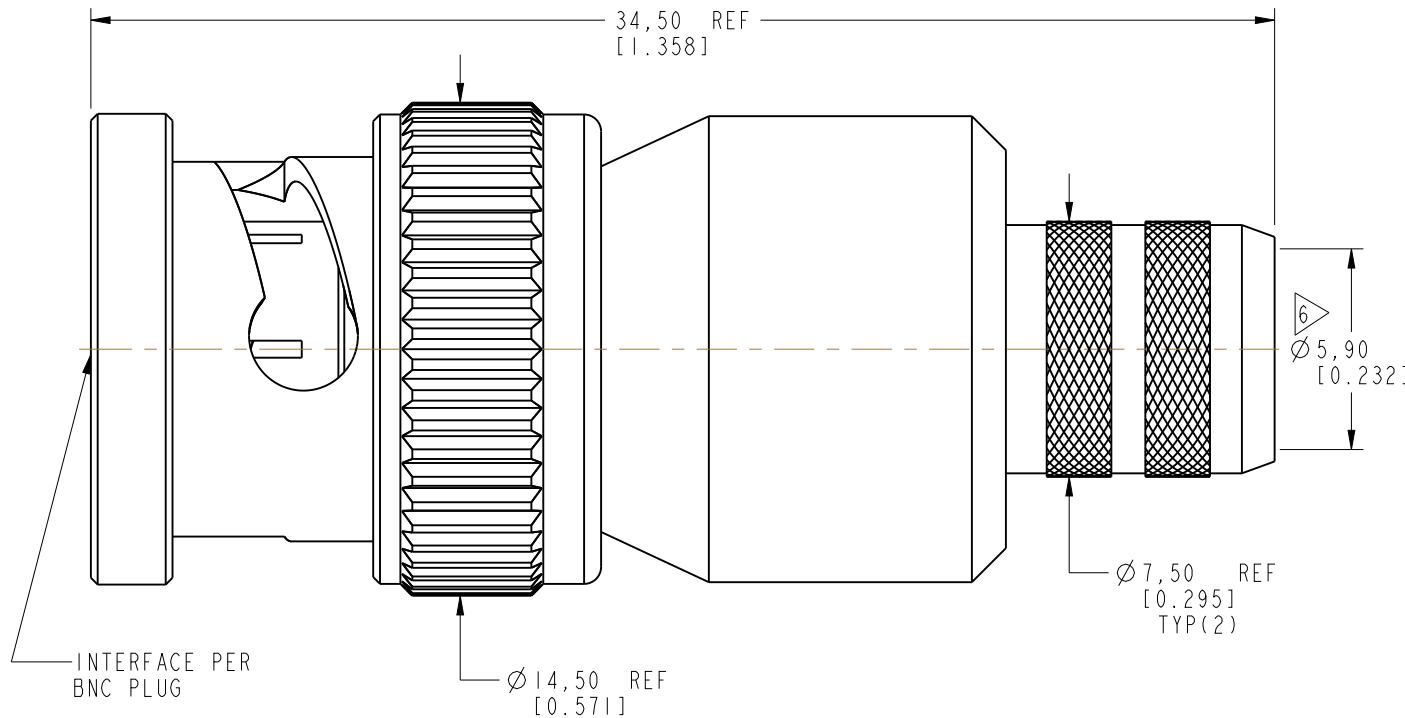
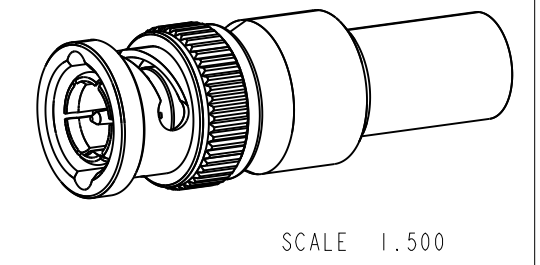
- PACKAGING:**  
 A. QUANTITY: SINGLE PACK  
 B. MARKING: BAG TO BE MARKED "AMPHENOL RF, 31-70534, AND DATE CODE"
  - CABLE ASSEMBLY INSTRUCTIONS:**  
 A. TRIM CABLE AS SHOWN.  
 B. SLIDE FERRULE ONTO CABLE.  
 C. CRIMP CONTACT TO CABLE CENTER CONDUCTOR WITH 0.068" HEX DIE  
 D. CRIMP FERRULE WITH 0.324" HEX DIE.
- 6 SHOWS CABLE ENTRY DIMENSIONS.

THIRD ANGLE PROJ.

| REV |  | DESCRIPTION     | DATE      | ECO  | APPR |
|-----|--|-----------------|-----------|------|------|
| A   |  | RELEASE TO MFG. | 18-Nov-16 | 2446 | VK   |



**RECOMMENDED CABLE STRIPPING DIMENSIONS**



**CUSTOMER OUTLINE DRAWING**  
 ALL OTHER SHEETS ARE FOR INTERNAL USE ONLY

|   |           |             |            |   |       |                                   |  |
|---|-----------|-------------|------------|---|-------|-----------------------------------|--|
| UNLESS OTHERWISE SPECIFIED, DIMENSIONS ARE IN METRIC AND TOLERANCES ARE:<br><0.5mm ±0.05mm    0.5 - 6mm ±0.1mm    6 - 30mm ±0.2mm    30 - 120mm ±0.3mm    ANGLES ±1°<br>NOTICE - These drawings, specifications, or other data (1) are, and remain the property of Amphenol corp. (2) must be returned upon request; and (3) are confidential and not to be disclosed to any person other than those to whom they are given by Amphenol Corp. the furnishing of these drawings, specifications, or other data by Amphenol Corp., or to any other person to anyone for any purpose is not to be regarded by implication or otherwise in any manner licensing, granting rights to permitting such holder or any other person to manufacture, use or sell any product, process or design, patented or otherwise, that may in any way be related to or disclosed by said drawings, specifications, or other data. | MATERIAL  | DRAWN       | DATE       | TITLE<br>BNC STR CRIMP PLUG<br>FOR BELDEN 4794R CABLE |       | Amphenol RF<br>www.amphenolrf.com |  |
|   | SEE NOTES | RAJAGOPAL N | 27-Oct-16  |   |       |                                   |  |
|   | REFERENCE | APPROVED    | DATE       | SCALE: 4.5:1.0  |       | DRAWING NO. 31-70534              |  |
|   | EAR #     | K.CAPOZZI   | 18-Nov-16  | SHEET 2 OF 2  |       | ITEM NO. 31-70534                 |  |
| CONFIGURATION LEVEL: In Work  | FINISH    | CAD FILE    | DWG SIZE B |   | REV A | PART NO. 31-70534                 |  |

## X-ON Electronics

Largest Supplier of Electrical and Electronic Components

*Click to view similar products for [RF Connectors / Coaxial Connectors](#) category:*

*Click to view products by [Amphenol](#) manufacturer:*

Other Similar products are found below :

[8915-1511-000](#) [89674-0827](#) [6001-7071-019](#) [6002-7051-003](#) [6002-7551-202](#) [6059674-1](#) [619550-1](#) [630059-000](#) [M39030/3-01N](#) [M3933/25-36N](#) [6500-7071-046](#) [6769](#) [CX050L2AQ](#) [7002-1542-011](#) [7004-1512-000](#) [7009-1511-004](#) [7010-1511-000](#) [7029-1511-060](#) [7101-1541-010](#) [7101-1571-002](#) [7105-1521-002](#) [7145-1521-002](#) [7203-1571-003](#) [7209-1511-011](#) [7210-1511-015](#) [7210-1511-019](#) [73137-5015](#) [73216-2241](#) [7325-1512-000](#) [73404-2300](#) [7405-1521-005](#) [7405-1521-802](#) [7406-1521-005](#) [8527](#) [8547](#) [FS11V](#) [8808-1511-001](#) [9049-9513-000](#) [9074-9513-000](#) [9101-9573-002](#) [910A205F](#) [9130-9573-002](#) [PL11SC-026](#) [PL375-33](#) [PL40-5](#) [PL71-9](#) [PL74C-221](#) [PL75MC-217](#) [PL803-7](#) [980-8666-005](#)