

NOTES:

1. MATERIALS AND FINISHES:  
 BODY - PHOSPHOR, NICKEL PLATING  
 SHELL - ZINC DIECAST, NICKEL PLATING  
 CONTACT PIN - BRASS, GOLD PLATING  
 INSULATOR - PTFE, NATURAL  
 SPRING - BeCu, NICKEL PLATING  
 GASKET - RUBBER, RED

2. ELECTRICAL:  
 A. IMPEDANCE: 75 OHM  
 B. FREQUENCY RANGE: DC - 12 GHz  
 C. RETURN LOSS: 25 dB MIN @ DC - 6 GHz  
 20 dB MIN @ 6 - 12 GHz  
 D. DIELECTRIC WITHSTANDING VOLTAGE: 1500 VRMS, MIN.

3. MECHANICAL:  
 A. DURABILITY: 500 CYCLES MIN.  
 B. TEMPERATURE RANGE: -30° C TO + 85° C

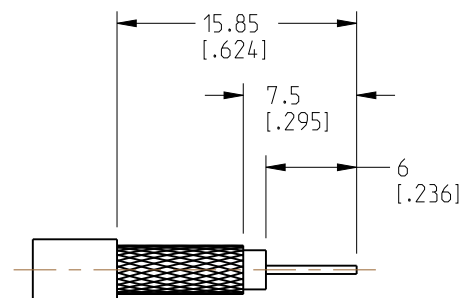
4. CRIMPED FERRULE  
 HEX. CRIMP SIZE .255"

5. CRIMPED CONTACT PIN  
 HEX. CRIMP SIZE .042"

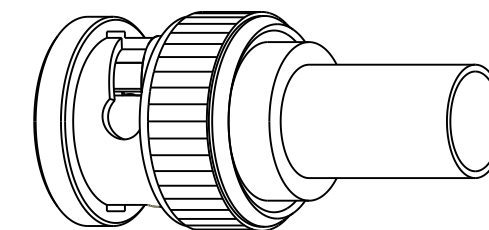
 SHOWS CABLE ENTRY DIMENSIONS

7. PACKAGING:  
 A. QUANTITY: SINGLE PACK  
 B. BAG TO BE MARKED: AMPHENOL RF  
 31-70572-12G  
 YYW W

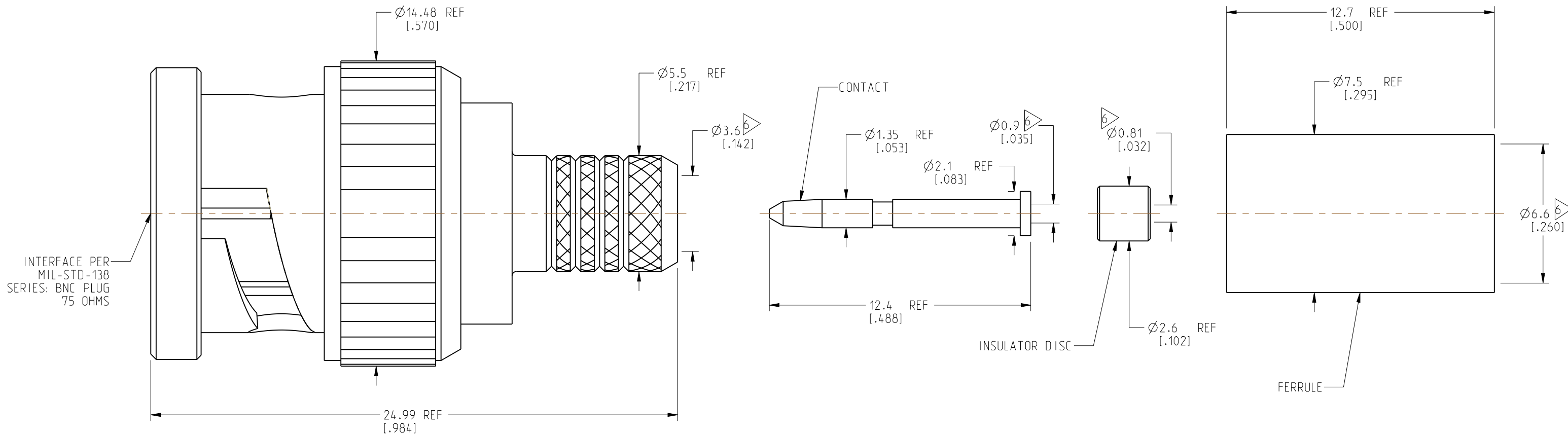
REVISIONS				
REV	DESCRIPTION	DATE	ECN	BY
A	RELEASE TO MFG.	03-DEC-20	15444	SV



RECOMMENDED CABLE STRIPPING DIMENSIONS



SCALE 2.000



INTERFACE PER MIL-STD-138 SERIES: BNC PLUG 75 OHMS

**CUSTOMER OUTLINE DRAWING**

ALL OTHER SHEETS ARE FOR INTERNAL USE ONLY

NOTICE: These drawings, specifications, or other data (1) are, and remain the property of Amphenol corp. (2) must be returned upon request; and (3) are confidential and not to be disclosed to any person other than those to whom they are given by Amphenol Corp. The furnishing of these drawings, specifications, or other data by Amphenol Corp., or to any other person to anyone for any purpose is not to be regarded by implication or otherwise in any manner licensing, granting rights to permitting such holder or any other person to manufacture, use or sell any product, process or design, patented or otherwise, that may in any way be related to or disclosed by said drawings, specifications, or other data.

UNLESS OTHERWISE SPECIFIED DIMENSIONS ARE METRIC (INCHES) AND TOLERANCES ARE:  
 <0.5mm = ±0.05mm [ $\pm 0.020 = \pm 0.002$ ]  
 >0.5 - 6mm = ±0.1mm [ $\pm 0.020 - 0.236 = \pm 0.004$ ]  
 >6.00 - 30mm = ±0.2mm [ $\pm 0.236 - 1.181 = \pm 0.008$ ]  
 >30.00 - 120mm = ±0.3mm [ $\pm 1.181 - 4.725 = \pm 0.012$ ]  
 ANGLES = ±1°

MATERIAL  
SEE NOTES

TITLE  
BNC CRIMP PLUG  
75 OHM FOR  
BELDEN 4505P CABLE

Amphenol RF		REV
		A
SIZE	DRAWING NO. 31-70572-12G	B
	ITEM NO. 31-70572-12G	
	PART NO. 31-70572-12G	

THIRD ANGLE PROJ. 

REFERENCE 31-70546-12G EAR# 9699

ENGINEER S.VO DATE 03-DEC-20

SHEET NO. 2 OF 2 SCALE: 5.5:1.0

## X-ON Electronics

Largest Supplier of Electrical and Electronic Components

*Click to view similar products for [RF Connectors / Coaxial Connectors](#) category:*

*Click to view products by [Amphenol](#) manufacturer:*

Other Similar products are found below :

[8915-1511-000](#) [89674-0827](#) [6001-7071-019](#) [6002-7051-003](#) [6002-7551-202](#) [6059674-1](#) [619550-1](#) [630059-000](#) [M39030/3-01N](#) [M3933/25-36N](#) [6500-7071-046](#) [6769](#) [CX050L2AQ](#) [7002-1542-011](#) [7004-1512-000](#) [7009-1511-004](#) [7010-1511-000](#) [7029-1511-060](#) [7101-1541-010](#) [7101-1571-002](#) [7105-1521-002](#) [7145-1521-002](#) [7203-1571-003](#) [7209-1511-011](#) [7210-1511-015](#) [7210-1511-019](#) [73137-5015](#) [73216-2241](#) [7325-1512-000](#) [73404-2300](#) [7405-1521-005](#) [7405-1521-802](#) [7406-1521-005](#) [8527](#) [8547](#) [FS11V](#) [8808-1511-001](#) [9049-9513-000](#) [9074-9513-000](#) [9101-9573-002](#) [910A205F](#) [9130-9573-002](#) [PL11SC-026](#) [PL375-33](#) [PL40-5](#) [PL71-9](#) [PL74C-221](#) [PL75MC-217](#) [PL803-7](#) [980-8666-005](#)