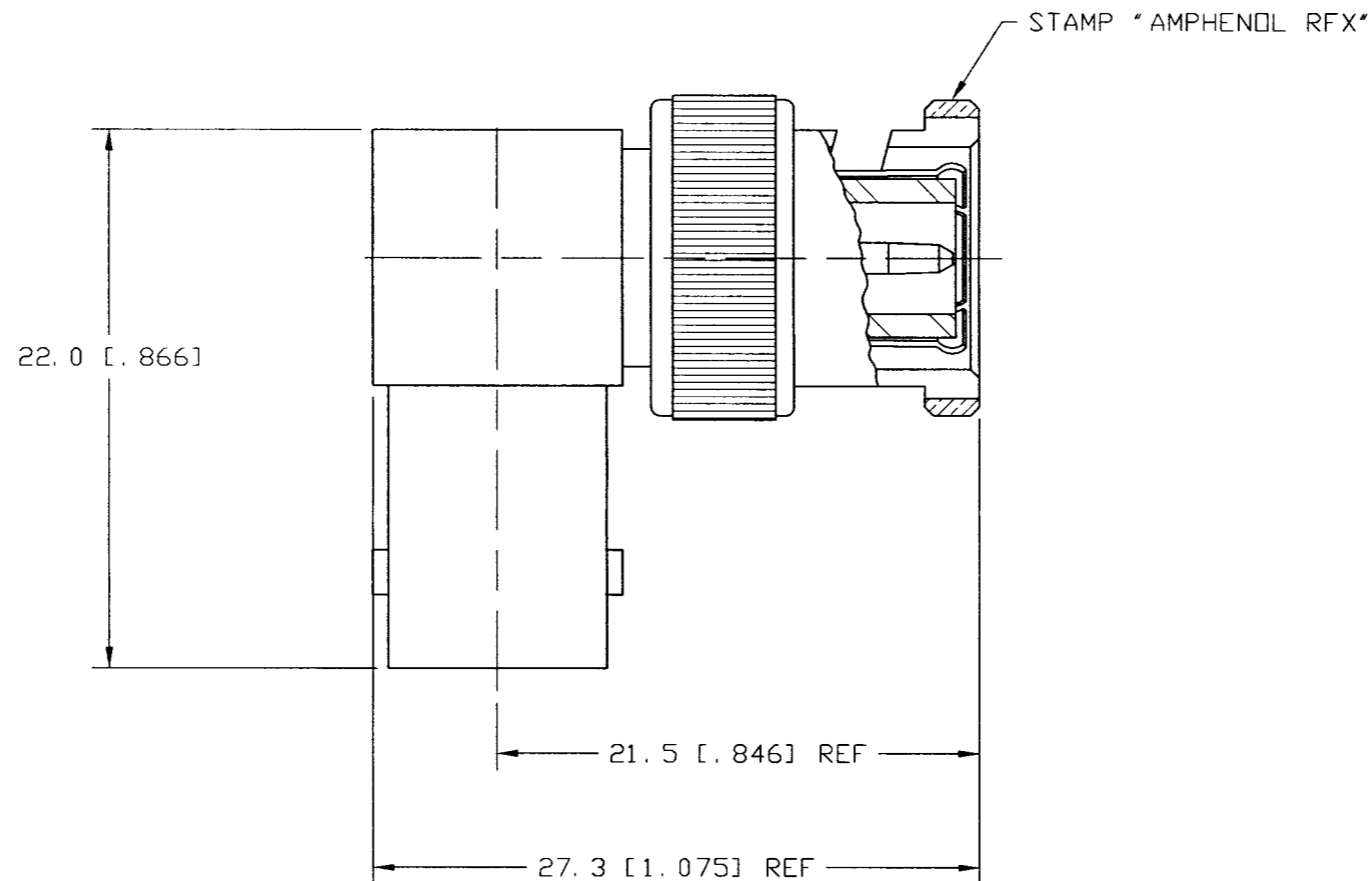


NOTES:

- MATERIALS OF CONSTRUCTION:  
 SHELL, HOUSING, BODY, RETAINER RING, LOCK RING,  
 WASHER & COVER = BRASS, NICKEL PLATED  
 SHELL = ZINC DIE CAST, NICKEL PLATED  
 CONTACT PIN = BRASS GOLD PLATED.  
 CONTACT PIN = PHOSPHOR BRONZE, GOLD PLTED.  
 SPRING = COPPER, NICKEL PLATED  
 INSULATORS = DELRIN  
 GASKET = RUBBER, COLOR RED.
- PACKAGE CONNECTOR IN BAG.
- DO NOT SCALE THIS DRAWING.
- UNLESS OTHERWISE SPECIFIED, ALL DIMENSIONS ARE AFTER PLATING.

31-9-75RFX		REVISIONS			
DRAWING NO.	REV	DESCRIPTION	DATE	ECO	APPR
THIRD ANGLE PROJ.	A	RELEASE TO MFG.	1/14/00	43223	CPM/



CUSTOMER OUTLINE DRAWING

UNLESS OTHERWISE SPECIFIED, DIMENSIONS ARE IN INCHES AND TOLERANCES ARE: 0.5 - 6mm ±0.2mm      6.30mm ±0.4mm      30 - 120mm ±0.6mm	MATERIAL	DRAWN C. McGRATH	DATE 1/6/00	TITLE BNC MALE TO FEMALE R/A ADAPTOR	<b>Amphenol</b> Amphenol Corporation RF/Microwave Operations Danbury, Conn. U.S.A. 06810
	REFERENCE	ENGINEER T. AUBIN	DATE 1/6/00		
NOTICE - These drawings, specifications, or other data (1) are, and remain the property of Amphenol Corp. (2) must be returned upon request; and (3) are confidential and not to be disclosed to any person other than those to whom they are given by Amphenol Corp. The furnishing of these drawings, specifications, or other data by Amphenol Corp., or to any other person to anyone for any purpose is not to be regarded by implication or otherwise in any manner licensing, granting rights or permitting such holder or any other person to manufacture, use or sell any product, process or design, patented or otherwise, that may in any way be related to or disclosed by said drawings, specifications, or other data.		APPROVED 	DATE 1/12/00	SCALE: 3:1      SHEET 2 OF 2	
		CAD FILE H: \DEPT611\BNC\031\ASSY\9\75RFXSH2	CODE ID 74868	DWG SIZE B	DRAWING NO. 31-9-75RFX

## X-ON Electronics

Largest Supplier of Electrical and Electronic Components

*Click to view similar products for [RF Adapters - In Series](#) category:*

*Click to view products by [Amphenol](#) manufacturer:*

Other Similar products are found below :

[5918-1103-000](#) [5919-9503-000](#) [651A505](#) [R114703000W](#) [R127871001](#) [R143730700](#) [R222M40050](#) [R223703180](#) [HRM-513S](#) [KC-79-179](#)  
[KN-99-14](#) [252169-75](#) [252186](#) [R127703001](#) [R142710000](#) [R142723000](#) [R161703000](#) [R161715000W](#) [R405005000](#) [BJ38](#) [KA-99-56](#) [KC-59-](#)  
[270](#) [KC-59-284](#) [KC-79-131](#) [KC-99-35](#) [KC-99-40](#) [5919-9503-003](#) [756-18-9](#) [R164705000](#) [R222M40080](#) [R124720003W](#) [R142723000W](#)  
[R222M40060](#) [4-1532004-7](#) [755-93-7](#) [033-0219-0001](#) [3094317](#) [5917-9103-000](#) [920-56](#) [R222705239](#) [R143753000W](#) [R143720000](#)  
[R223703080W](#) [9176-9113-000](#) [R222M40107](#) [R114009000](#) [R124720003](#) [AD48](#) [ADP-NF-NF](#) [R142562290](#)