

NOTES:

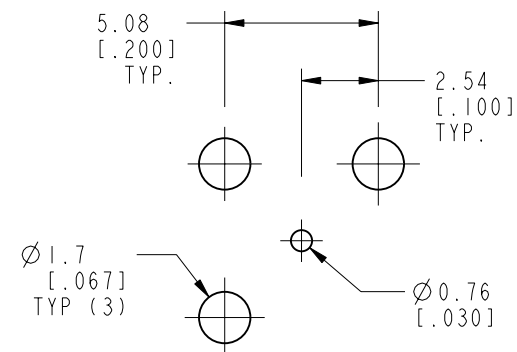
1. MATERIALS AND FINISHES:
 BODY - BRASS, GOLD PLATING.
 CONTACT - BeCu, GOLD PLATING.
 INSULATOR - PTFE, NATURAL
2. ELECTRICAL:
 A. IMPEDANCE: 75 OHM
 B. FREQUENCY RANGE: DC - 18 GHz
 C. RETURN LOSS: 20 dB MIN @ DC - 6 GHz
 15 dB MIN @ 6 - 12 GHz
 D. DIELECTRIC WITHSTANDING VOLTAGE: 1000 VRMS, MIN
 E. INSULATION RESISTANCE: 10,000 MEGAOHMS MIN
 F. VOLTAGE RATING: 335 VRMS
3. MECHANICAL:
 A. DURABILITY: 500 CYCLES MIN

4. PACKAGING:
 A. QUANTITY: SINGLE PACK
 B. MARKING: BAG TO BE MARKED:
 "AMPHENOL RF, 34-1065-12G, & DATE CODE
 FREQUENCY RANGE: DC -18 GHz"

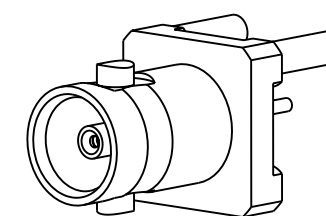
5. FOR OPTIMUM RF PERFORMANCE, THIS CONNECTOR IS NOT RECOMMENDED FOR PIN-IN-PASTE ASSEMBLY. ANY SOLDER IN THE RF CAVITY CAN AFFECT RF PERFORMANCE.

THIRD ANGLE PROJ.

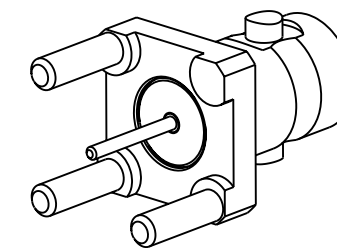
		REVISIONS		
REV	DESCRIPTION	DATE	ECO	APPR
A	RELEASE TO MFG.	03-Mar-16	51040	RM



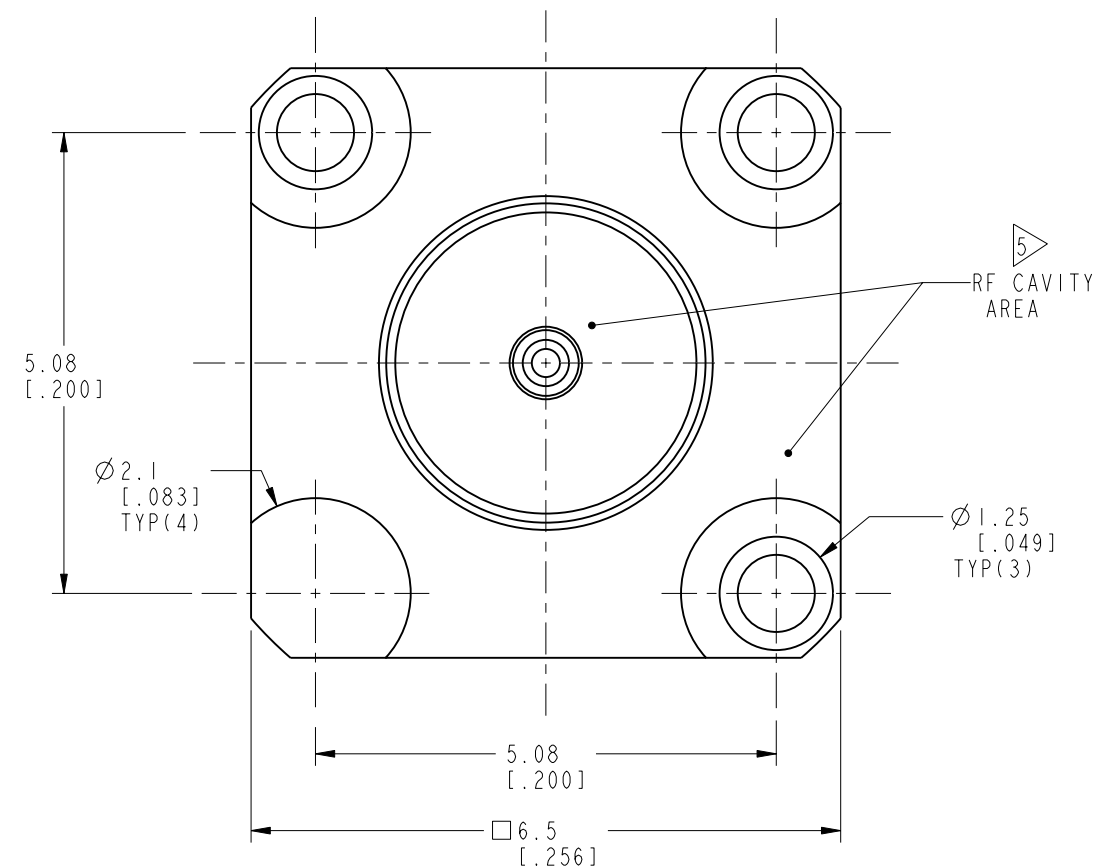
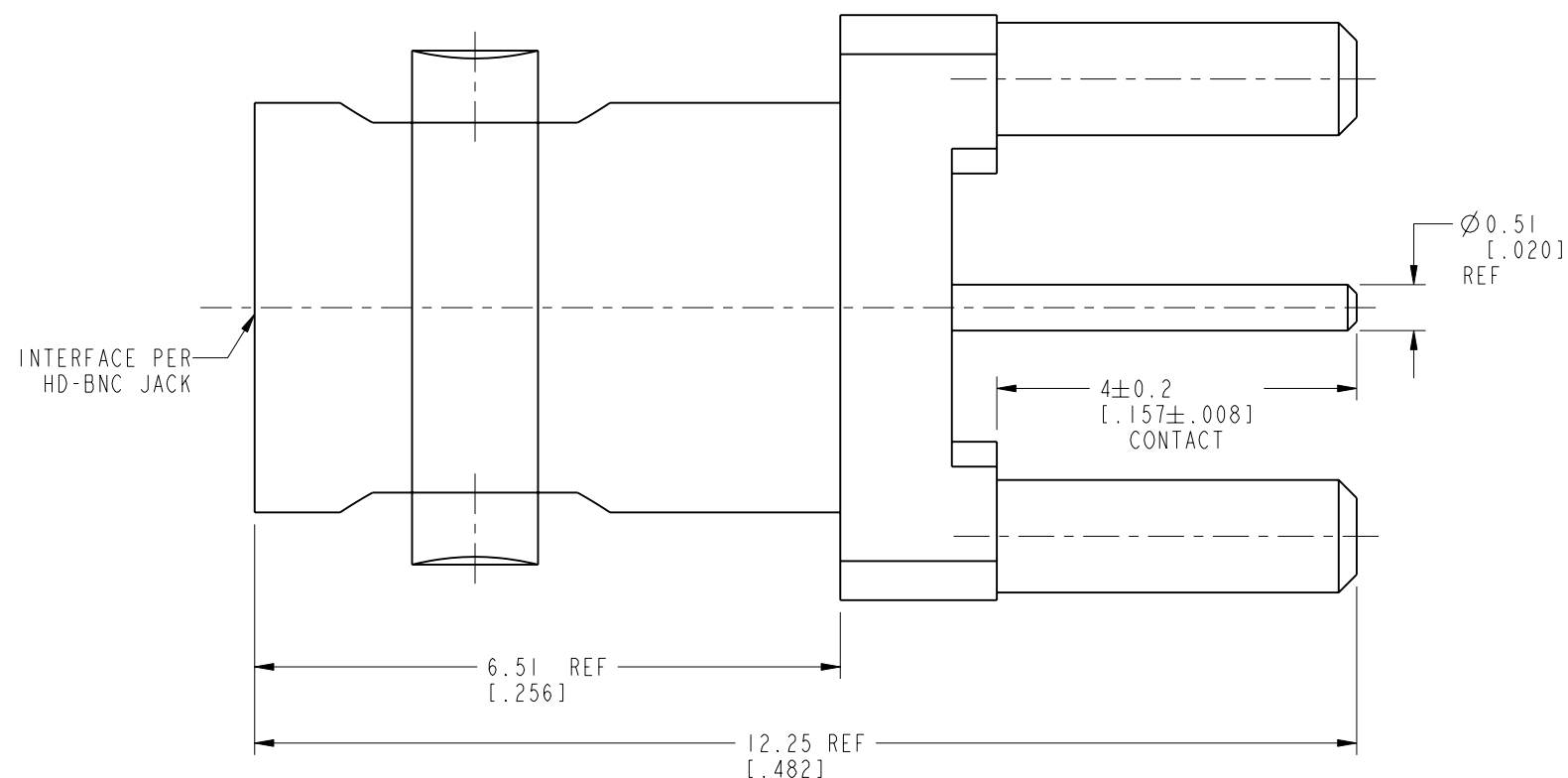
RECOMMENDED PCB MOUNTING HOLE DIMENSIONS



SCALE 3.500



SCALE 3.500



CUSTOMER OUTLINE DRAWING

ALL OTHER SHEETS ARE FOR INTERNAL USE ONLY

UNLESS OTHERWISE SPECIFIED, DIMENSIONS ARE IN METRIC AND TOLERANCES ARE:
 <0.5mm ±0.05mm 0.5 - 6mm ±0.1mm 6 - 30mm ±0.2mm 30 - 120mm ±0.3mm ANGLES ±1°

NOTICE - These drawings, specifications, or other data (1) are, and remain the property of Amphenol corp. (2) must be returned upon request; and (3) are confidential and not to be disclosed to any person other than those to whom they are given by Amphenol Corp. the furnishing of these drawings, specifications, or other data by Amphenol Corp., or to any other person to anyone for any purpose is not to be regarded by implication or otherwise in any manner licensing, granting rights to permitting such holder or any other person to manufacture, use or sell any product, process or design, patented or otherwise, that may in any way be related to or disclosed by said drawings, specifications, or other data.

MATERIAL SEE NOTES	DRAWN R. MAO	DATE 03-Mar-16	TITLE HD BNC STR JACK PCB THROUGH HOLE 3 LEGS RECEPTACLE	Amphenol RF www.amphenolrf.com		
	ENGINEER RAJAGOPAL N	DATE 19-Feb-16				
	REFERENCE EAR # 3965	APPROVED S. HSIEH		DATE 03-Mar-16	SCALE: 12.0:1.0 SHEET 2 OF 4	DRAWING NO. 34-1065-12G
	CONFIGURATION LEVEL: In Work	CAD FILE		DWG SIZE B	REV A	ITEM NO. 34-1065-12G
FINISH				PART NO. 34-1065-12G		

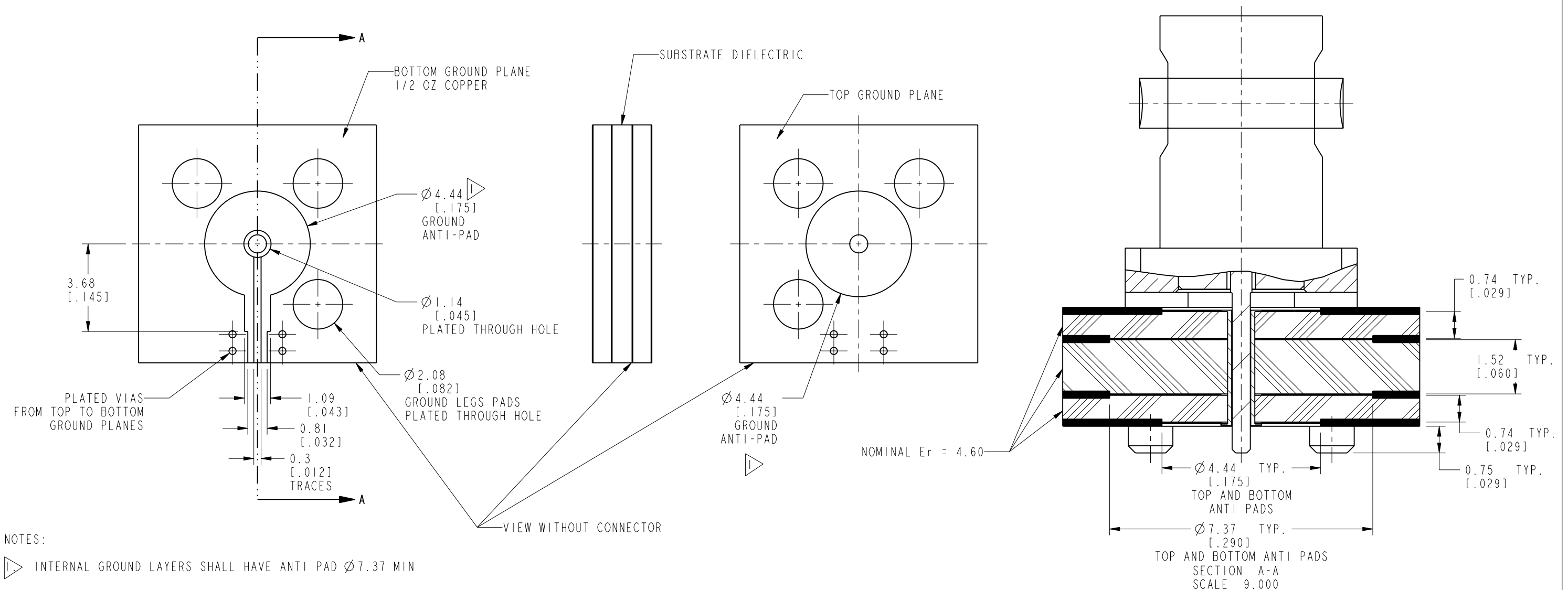
THIRD ANGLE PROJ.

REVISIONS

REV	DESCRIPTION	DATE	ECO	APPR
A	RELEASE TO MFG.	03-Mar-16	51040	RM

RECOMMENDED PCB LAUNCH FOR OPTIMAL RF PERFORMANCE

VARIATIONS IN BOARD MATERIAL AND TRACE MAY REQUIRE DIFFERENT GEOMETRY
PLEASE CONTACT AMPHENOL RF FOR LAUNCH OPTIMIZATION

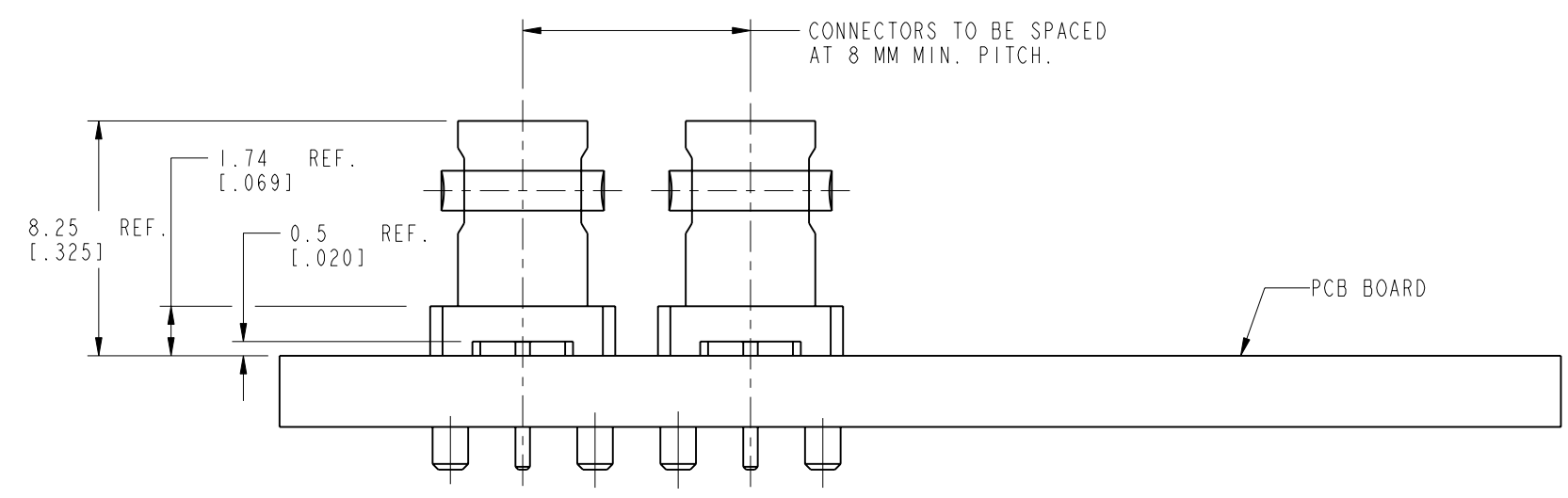
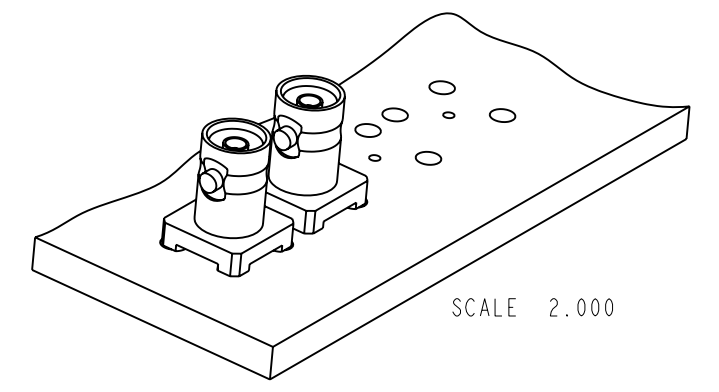
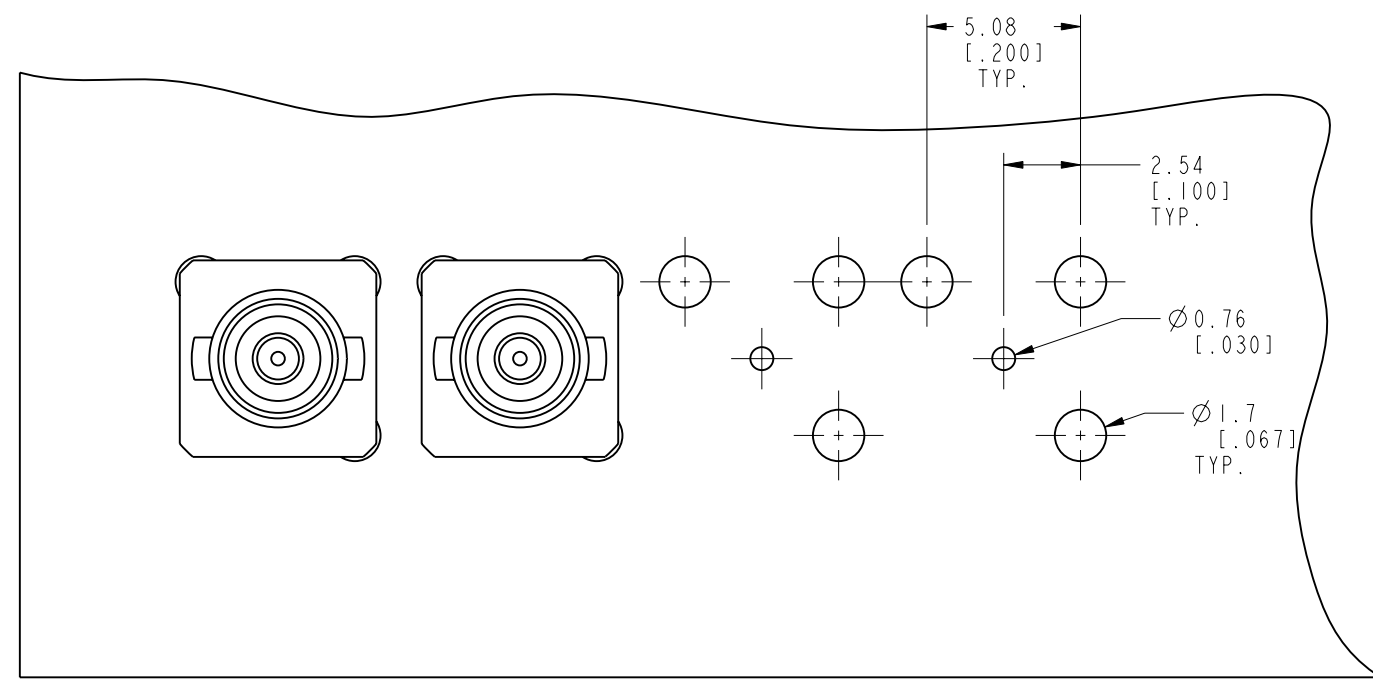


<p>UNLESS OTHERWISE SPECIFIED, DIMENSIONS ARE IN METRIC AND TOLERANCES ARE: <0.5mm ±0.05mm 0.5 - 6mm ±0.1mm 6 - 30mm ±0.2mm 30 - 120mm ±0.3mm ANGLES ±1°</p> <p>NOTICE - These drawings, specifications, or other data (1) are, and remain the property of Amphenol corp. (2) must be returned upon request; and (3) are confidential and not to be disclosed to any person other than those to whom they are given by Amphenol Corp. the furnishing of these drawings, specifications, or other data by Amphenol Corp., or to any other person for any purpose is not to be regarded by implication or otherwise in any manner licensing, granting rights to permitting such holder or any other person to manufacture, use or sell any product, process or design, patented or otherwise, that may in any way be related to or disclosed by said drawings, specifications, or other data.</p>	MATERIAL	DRAWN R. MAO	DATE 03-Mar-16	<p>TITLE HD BNC STR JACK PCB THROUGH HOLE 3 LEGS RECEPTACLE</p> <p>SCALE: 12.0:1.0 SHEET 3 OF 4</p>	<p>Amphenol RF www.amphenolrf.com</p>
	REFERENCE EAR # 3965	ENGINEER RAJAGOPAL N	DATE 19-Feb-16		
CONFIGURATION LEVEL: In Work	APPROVED S. HSIEH	DATE 03-Mar-16		ITEM NO. 34-1065-12G	
FINISH	CAD FILE			PART NO. 34-1065-12G	

THIRD ANGLE PROJ.

REVISIONS

REV	DESCRIPTION	DATE	ECO	APPR
A	RELEASE TO MFG.	03-Mar-16	51040	RM



RECOMMENDED PCB MOUNTING HOLES

CUSTOMER OUTLINE DRAWING

ALL OTHER SHEETS ARE FOR INTERNAL USE ONLY

<p>UNLESS OTHERWISE SPECIFIED, DIMENSIONS ARE IN METRIC AND TOLERANCES ARE:</p> <table border="1"> <tr> <td><0.5mm</td> <td>0.5 - 6mm</td> <td>6 - 30mm</td> <td>30 - 120mm</td> <td>ANGLES</td> </tr> <tr> <td>± 0.05mm</td> <td>±0.1mm</td> <td>±0.2mm</td> <td>± 0.3mm</td> <td>±1°</td> </tr> </table> <p>NOTICE - These drawings, specifications, or other data (1) are, and remain the property of Amphenol corp. (2) must be returned upon request; and (3) are confidential and not to be disclosed to any person other than those to whom they are given by Amphenol Corp. the furnishing of these drawings, specifications, or other data by Amphenol Corp., or to any other person to anyone for any purpose is not to be regarded by implication or otherwise in any manner licensing, granting rights to permitting such holder or any other person to manufacture, use or sell any product, process or design, patented or otherwise, that may in any way be related to or disclosed by said drawings, specifications, or other data.</p>	<0.5mm	0.5 - 6mm	6 - 30mm	30 - 120mm	ANGLES	± 0.05mm	±0.1mm	±0.2mm	± 0.3mm	±1°	<p>MATERIAL</p>	<p>DRAWN R. MAO</p>	<p>DATE 03-Mar-16</p>	<p>TITLE HD BNC STR JACK PCB THROUGH HOLE 3 LEGS RECEPTACLE</p>	<p>Amphenol RF</p> <p>www.amphenolrf.com</p>	
	<0.5mm	0.5 - 6mm	6 - 30mm	30 - 120mm	ANGLES											
	± 0.05mm	±0.1mm	±0.2mm	± 0.3mm	±1°											
	<p>REFERENCE EAR # 3965</p>	<p>ENGINEER RAJAGOPAL N</p>	<p>DATE 19-Feb-16</p>	<p>APPROVED S. HSIEH</p>	<p>DATE 03-Mar-16</p>	<p>DRAWING NO. 34-1065-12G</p>										
<p>CONFIGURATION LEVEL: In Work</p>	<p>FINISH</p>	<p>CAD FILE</p>	<p>SCALE: 12.0:1.0</p>	<p>SHEET 4 OF 4</p>	<p>ITEM NO. 34-1065-12G</p>											
			<p>DWG SIZE B</p>	<p>REV A</p>	<p>PART NO. 34-1065-12G</p>											

X-ON Electronics

Largest Supplier of Electrical and Electronic Components

Click to view similar products for [RF Connectors / Coaxial Connectors](#) category:

Click to view products by [Amphenol](#) manufacturer:

Other Similar products are found below :

[89674-0827](#) [6059674-1](#) [630059-000](#) [6501-1071-002](#) [6769](#) [7002-1541-010](#) [7002-1572-002](#) [7004-1512-000](#) [7009-1511-004](#) [7101-1541-010](#)
[7101-1571-002](#) [7105-1521-002](#) [7145-1521-002](#) [7203-1571-003](#) [7209-1511-011](#) [7210-1511-040](#) [7242-1511-000](#) [7405-1521-005](#) [7405-1521-](#)
[802](#) [804S01D04M040](#) [8527](#) [8547](#) [FS11V](#) [877931](#) [8808-1511-001](#) [9049-9513-000](#) [9074-9513-000](#) [PL11C-026](#) [PL375-33](#) [PL40-36](#) [9408-](#)
[1113-000](#) [980-8666-005](#) [1-201144-1](#) [120919](#) [R107003010W](#) [R112186000](#) [R113053000W](#) [R113082097](#) [R113236000](#) [R114083000](#)
[R114670000W](#) [R123415000W](#) [R124072220W](#) [R124076320](#) [R124076450](#) [R124175123](#) [R124176123W](#) [R125075000W](#) [R125075001](#)
[R125172000W](#)