

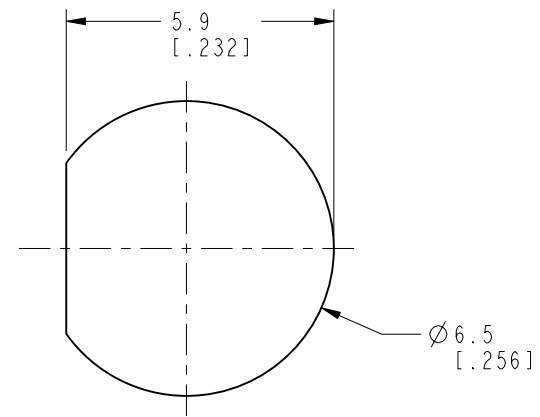
NOTES:

1. MATERIALS AND FINISHES:  
 BODY - BRASS, GOLD PLATING.  
 CONTACT - BeCu, GOLD PLATING.  
 INSULATOR - PTFE, NATURAL  
 O-RINGS - SILICONE RUBBER, RED  
 HEX NUT - STAINLESS STEEL, PASSIVATED  
 LOCK WASHER - STAINLESS STEEL, PASSIVATED
2. ELECTRICAL:  
 A. IMPEDANCE: 75 OHM  
 B. FREQUENCY RANGE: DC - 4 GHz  
 C. RETURN LOSS: -30 dB MIN AT 3 GHz  
 D. DIELECTRIC WITHSTANDING VOLTAGE: 1000 VRMS, MIN.
3. MECHANICAL:  
 A. DURABILITY: 500 CYCLES MIN.  
 B. TEMPERATURE RANGE: -65° C TO +165° C
4. SEALED TO IP-67 STANDARD WHEN IN MATED CONDITION
5. PACKAGING:  
 A. QUANTITY: SINGLE PACK  
 B. MARKING: BAG TO BE MARKED:  
 "AMPHENOL RF, 34-1099 & DATE CODE"

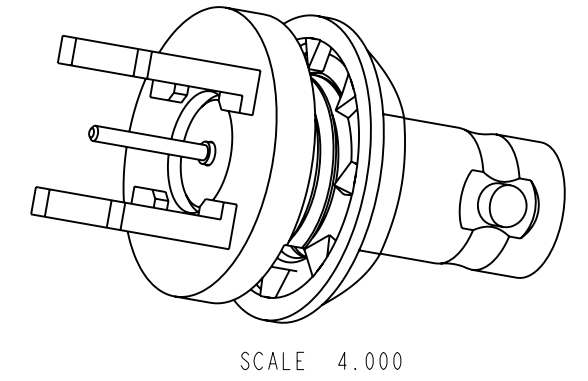
THIRD ANGLE PROJ.

REVISIONS

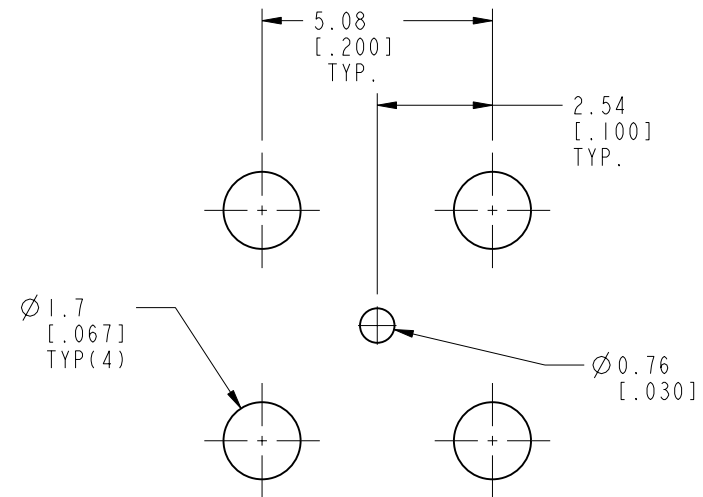
| REV | DESCRIPTION     | DATE      | ECO   | APPR |
|-----|-----------------|-----------|-------|------|
| A   | RELEASE TO MFG. | 14-Jun-16 | 01041 | MM   |



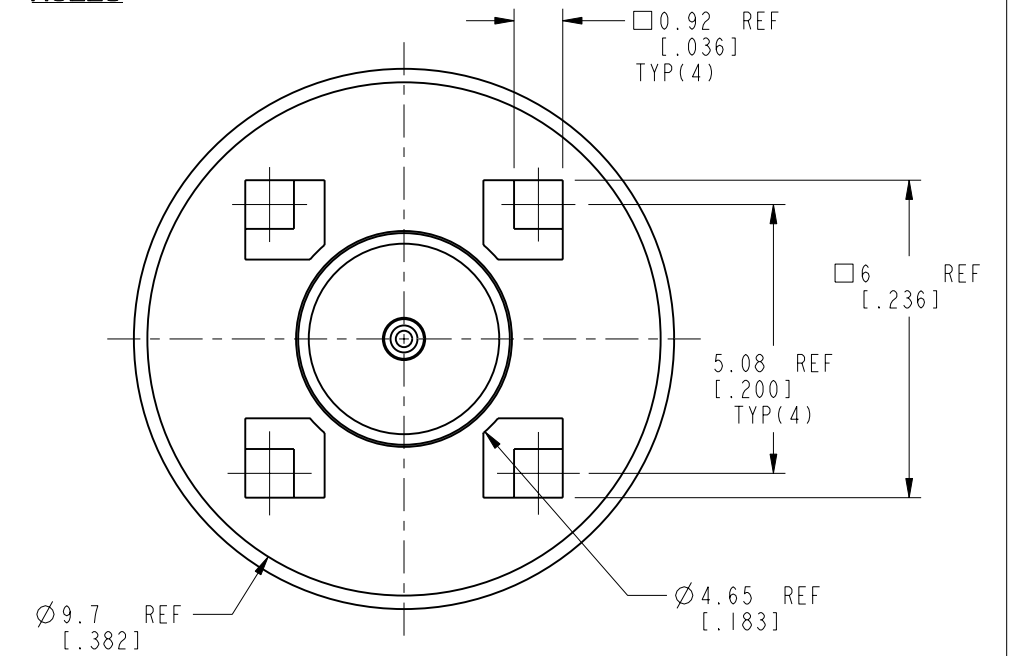
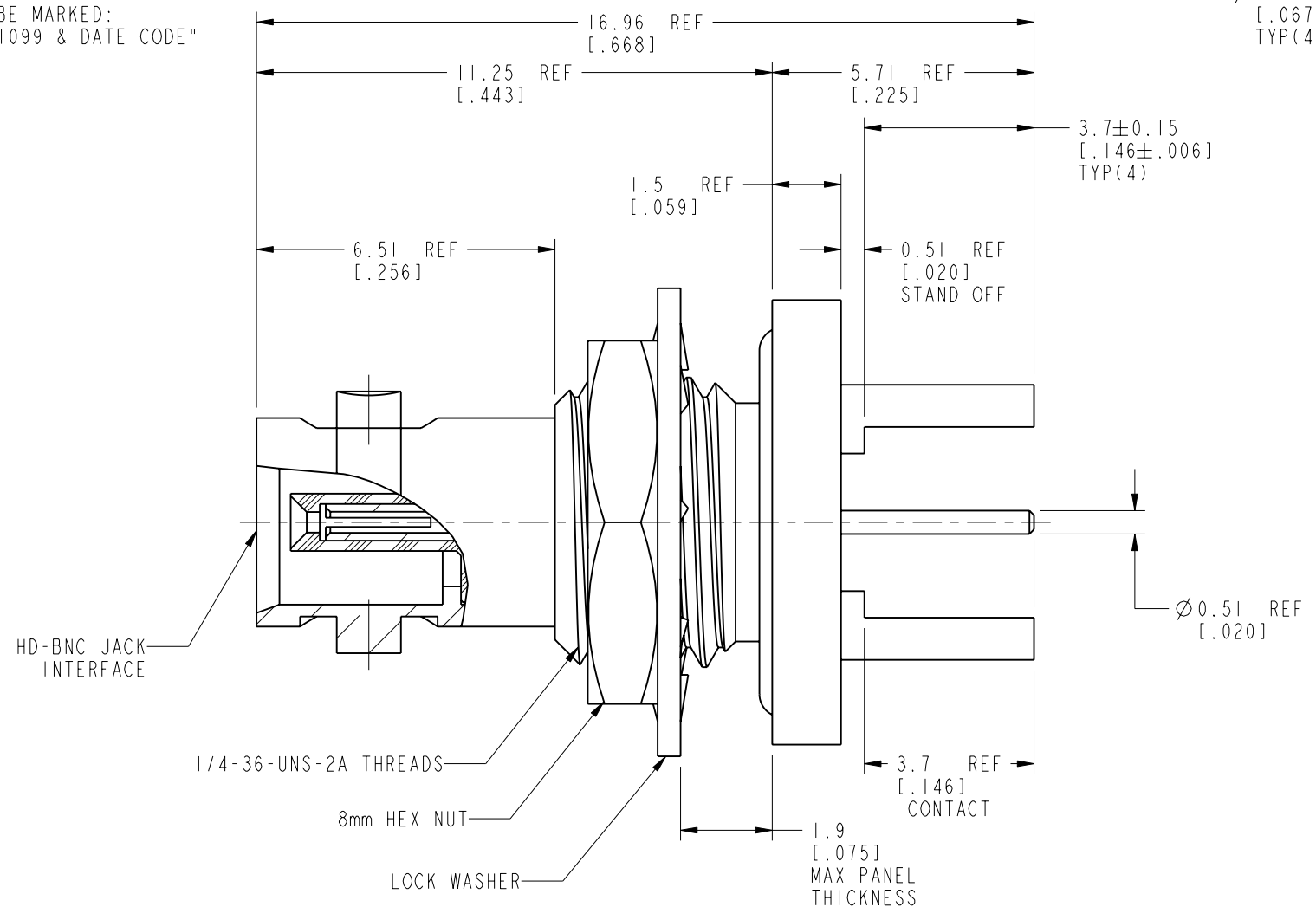
**RECOMMENDED PANEL CUTOUT DIMENSIONS**



SCALE 4.000



**RECOMMENDED PCB MOUNTING HOLES**



**CUSTOMER OUTLINE DRAWING**  
 ALL OTHER SHEETS ARE FOR INTERNAL USE ONLY

|  |                       |                      |                   |  |                                   |
|--|-----------------------|----------------------|-------------------|--|-----------------------------------|
| UNLESS OTHERWISE SPECIFIED, DIMENSIONS ARE IN METRIC AND TOLERANCES ARE:<br><0.5mm ±0.05mm    0.5 - 6mm ±0.1mm    6 - 30mm ±0.2mm    30 - 120mm ±0.3mm    ANGLES ±1° | MATERIAL<br>SEE NOTES | DRAWN<br>STAR        | DATE<br>14-Jun-16 | TITLE<br>HD BNC STR JACK<br>BHD PCB THRU HOLE<br>RECEPTACLE, IP-67 | Amphenol RF<br>www.amphenolrf.com |
|  | REFERENCE<br>7207 AND | ENGINEER<br>SUNDE    | DATE<br>14-Jun-16 |  |                                   |
|  | CONFIGURATION LEVEL:  | APPROVED<br>S. HSIEH | DATE<br>14-Jun-16 | SHEET 2 OF 2   | ITEM NO. 34-1099                  |
|  | FINISH                | CAD FILE             |                   | DWG SIZE<br>B  | REV<br>A                          |

NOTICE - These drawings, specifications, or other data (1) are, and remain the property of Amphenol corp. (2) must be returned upon request; and (3) are confidential and not to be disclosed to any person other than those to whom they are given by Amphenol Corp. the furnishing of these drawings, specifications, or other data by Amphenol Corp., or to any other person to anyone for any purpose is not to be regarded by implication or otherwise in any manner licensing, granting rights to permitting such holder or any other person to manufacture, use or sell any product, process or design, patented or otherwise, that may in any way be related to or disclosed by said drawings, specifications, or other data.

## X-ON Electronics

Largest Supplier of Electrical and Electronic Components

*Click to view similar products for [RF Connectors / Coaxial Connectors](#) category:*

*Click to view products by [Amphenol](#) manufacturer:*

Other Similar products are found below :

[8915-1511-000](#) [89674-0827](#) [6001-7071-019](#) [6002-7051-003](#) [6002-7551-202](#) [6059674-1](#) [619550-1](#) [630059-000](#) [M39030/3-01N](#) [M3933/25-36N](#) [6500-7071-046](#) [6769](#) [CX050L2AQ](#) [7002-1542-011](#) [7004-1512-000](#) [7009-1511-004](#) [7010-1511-000](#) [7029-1511-060](#) [7101-1541-010](#) [7101-1571-002](#) [7105-1521-002](#) [7145-1521-002](#) [7203-1571-003](#) [7209-1511-011](#) [7210-1511-015](#) [7210-1511-019](#) [73137-5015](#) [73216-2241](#) [7325-1512-000](#) [73404-2300](#) [7405-1521-005](#) [7405-1521-802](#) [7406-1521-005](#) [8527](#) [8547](#) [FS11V](#) [8808-1511-001](#) [9049-9513-000](#) [9074-9513-000](#) [9101-9573-002](#) [910A205F](#) [9130-9573-002](#) [PL11SC-026](#) [PL375-33](#) [PL40-5](#) [PL71-9](#) [PL74C-221](#) [PL75MC-217](#) [PL803-7](#) [980-8666-005](#)