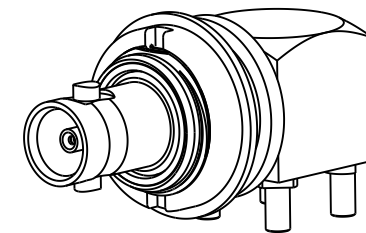


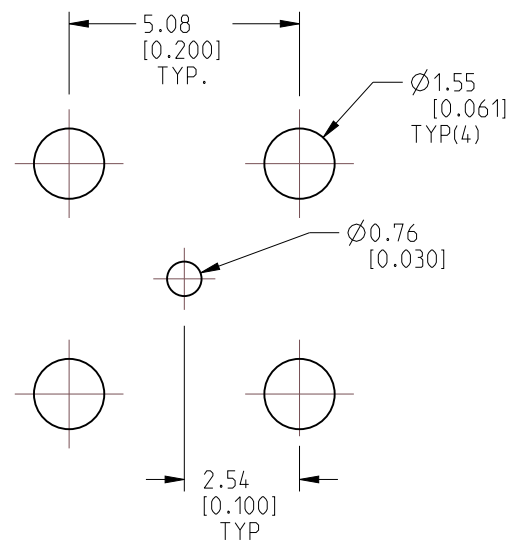
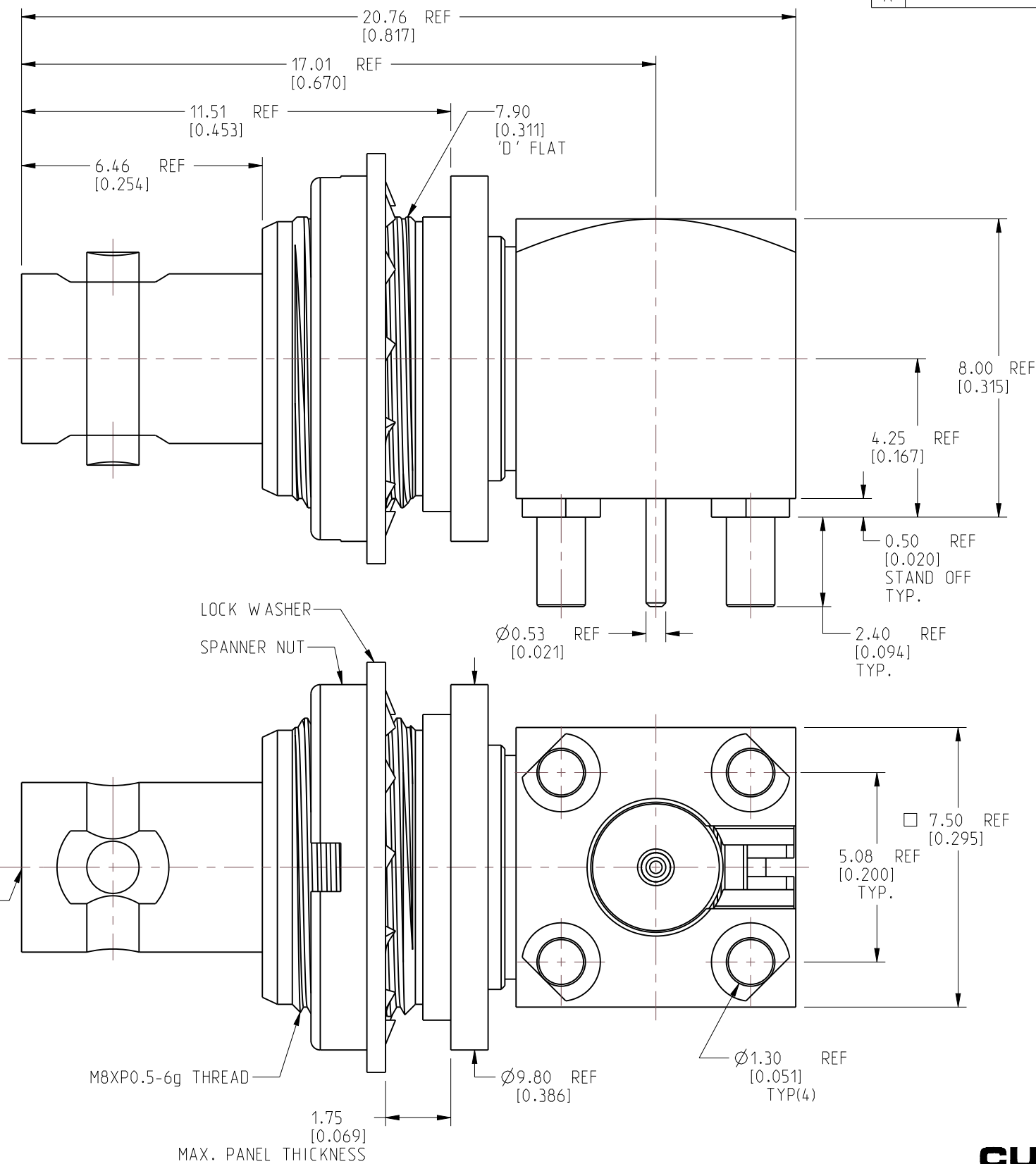
NOTES:

- 1. MATERIALS AND FINISHES:
 BODY, CAP, SLEEVE, LOCKWASHER & SPANNER NUT - BRASS, NICKEL PLATING
 REAR BODY - BRASS, GOLD PLATING
 CONTACT - BeCu, GOLD PLATING
 INSULATORS - PTFE, NATURAL
 INSULATOR SLEEVE - DERLIN, NATURAL
 INSULATOR - ULTEM 1000, NATURAL
- 2. ELECTRICAL:
 A. IMPEDANCE: 75 OHMS
 B. FREQUENCY RANGE: DC - 18 GHz
 C. RETURN LOSS: 25 dB MIN. @ DC - 6 GHz
 10 dB MIN. @ 6 - 12 GHz
 D. DIELECTRIC WITHSTANDING VOLTAGE: 1000 VRMS. MIN.
 E. INSULATION RESISTANCE: 10,000 MΩ MIN.
- 3. MECHANICAL:
 A. DURABILITY: 500 CYCLES MIN.
 B. TEMPERATURE RANGE: -40°C TO 85°C
- 4. PACKAGING:
 A. QUANTITY: SINGLE PACK
 B. MARKING: BAG TO BE MARKED
 "AMPHENOL RF, 34-1140-12G AND DATE CODE"

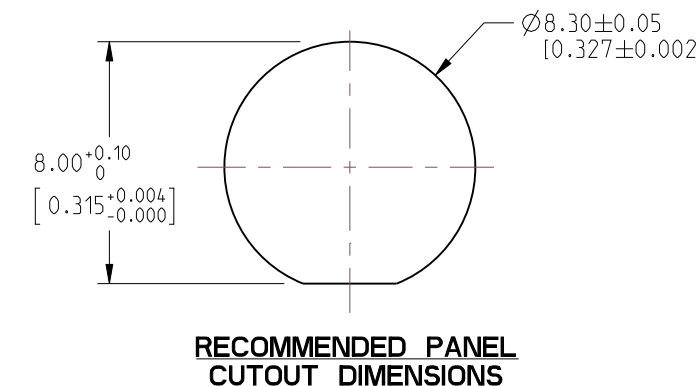
REVISIONS				
REV	DESCRIPTION	DATE	ECN	APPR
A	RELEASE TO MFG.	10-Feb-21	15577	S.HSIEH



SCALE 2.500



RECOMMENDED PCB HOLE DIMENSIONS



RECOMMENDED PANEL CUTOUT DIMENSIONS

CUSTOMER OUTLINE DRAWING
 ALL OTHER SHEETS ARE FOR INTERNAL USE ONLY

NOTICE: These drawings, specifications, or other data (1) are, and remain the property of Amphenol corp. (2) must be returned upon request; and (3) are confidential and not to be disclosed to any person other than those to whom they are given by Amphenol Corp. The furnishing of these drawings, specifications, or other data by Amphenol Corp., or to any other person to anyone for any purpose is not to be regarded by implication or otherwise in any manner licensing, granting rights to permitting such holder or any other person to manufacture, use or sell any product, process or design, patented or otherwise, that may in any way be related to or disclosed by said drawings, specifications, or other data.

UNLESS OTHERWISE SPECIFIED DIMENSIONS ARE METRIC (INCHES) AND TOLERANCES ARE:
 <0.5mm = ±0.05mm [-0.020 = ±0.002]
 >0.5 - 6mm = ±0.1mm [0.020 - 0.236 = ±0.004]
 >6.00 - 30mm = ±0.2mm [0.236 - 1.181 = ±0.008]
 >30.00 - 120mm = ±0.3mm [1.181 - 4.725 = ±0.012]

MATERIAL: SEE NOTES
 ENGINEER: WIKI

DATE: 4-Feb-21

TITLE: HD BNC RA BHD ISOLATED JACK THRU HOLE PCB MOUNT
 SHEET NO. 2 OF 2
 SCALE: 7.0:1.0

SIZE: B		DRAWING NO. 34-1140-12G		REV: A
		ITEM NO. 34-1140-12G		
		PART NO. 34-1140-12G		

X-ON Electronics

Largest Supplier of Electrical and Electronic Components

Click to view similar products for [RF Connectors / Coaxial Connectors](#) category:

Click to view products by [Amphenol](#) manufacturer:

Other Similar products are found below :

[8915-1511-000](#) [89674-0827](#) [6001-7071-019](#) [6002-7051-003](#) [6059674-1](#) [619550-1](#) [630059-000](#) [M39030/3-01N](#) [6769](#) [CX050L2AQ](#) [7002-1541-010](#) [7002-1542-011](#) [7002-1572-002](#) [7003-1542-011](#) [7004-1512-000](#) [7009-1511-004](#) [7010-1511-000](#) [7029-1511-060](#) [7101-1541-010](#) [7101-1571-002](#) [7145-1521-002](#) [7203-1571-003](#) [7209-1511-011](#) [7210-1511-015](#) [7210-1511-019](#) [73137-5015](#) [73216-2241](#) [73404-2300](#) [7405-1521-005](#) [7405-1521-802](#) [8527](#) [8547](#) [FS11V](#) [9049-9513-000](#) [9074-9513-000](#) [9101-9573-002](#) [910A205F](#) [9130-9573-002](#) [PL11SC-026](#) [PL375-33](#) [PL40-5](#) [PL74C-221](#) [PL75MC-217](#) [PL803-7](#) [980-8666-005](#) [1200690078](#) [1-201144-1](#) [R107003010W](#) [R110A172100](#) [R112186000](#)