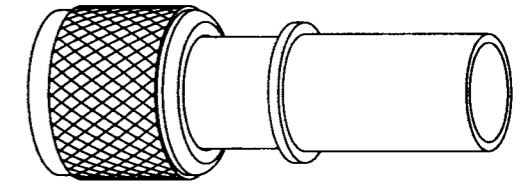


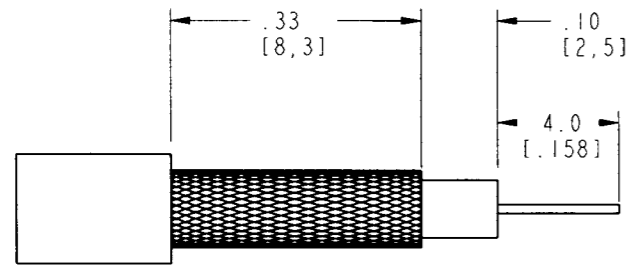
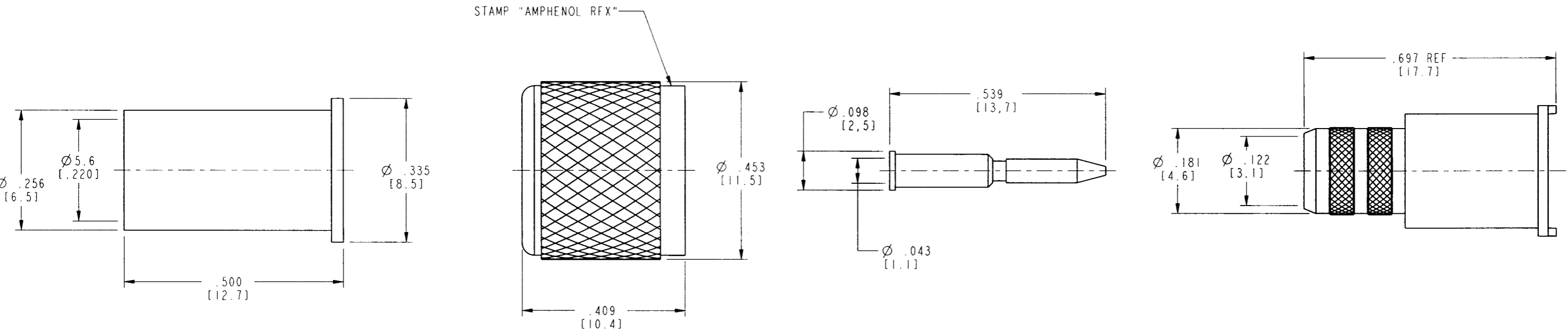
NOTES:

- MATERIALS OF CONSTRUCTION:
 BODY, FERRULE, & SHELL = BRASS, NICKEL PLATE.
 CONTACT PIN = BRASS, GOLD PLATE.
 INSULATOR = PTFE
- DO NOT SCALE THIS DRAWING
- NON-CAPTIVATED CONTACT, .043 WIRE ENTRY.
- PACKAGE CONNECTOR AS FOLLOWS:
- CRIMP FERRULE WITH HEX CRIMP .213. CRIMP CONTACT PIN WITH HEX CRIMP .068.

81-115-RFX		REVISIONS			
DRAWING NO.	REV	DESCRIPTION	DATE	ECO	APPR
THIRD ANGLE PROJ.	--	RELEASE TO MFG.	2/8/00	43249	CPM
	C	SEE SHEET ONE			



SCALE 2.000



RECOMMENDED
CABLE STRIPPING DIM'S.
SCALE 4.000

CUSTOMER OUTLINE DRAWING
FOR REFERENCE ONLY

UNLESS OTHERWISE SPECIFIED, DIMENSIONS ARE IN INCHES AND TOLERANCES ARE:
 2 PLACE DECIMAL 3 PLACE DECIMAL ANGLES
 ±.015 (0.381 mm) ±.005 (0.127 mm) ± 1°

NOTICE - These drawings, specifications, or other data (1) are, and remain the property of Amphenol Corp. (2) must be returned upon request; and (3) are confidential and not to be disclosed to any person other than those to whom they are given by Amphenol Corp. The furnishing of these drawings, specifications, or other data by Amphenol Corp., or to any other person to anyone for any purpose is not to be regarded by implication or otherwise in any manner licensing, granting rights or permitting such holder or any other person to manufacture, use or sell any product, process or design, patented or otherwise, that may in any way be related to or disclosed by said drawings, specifications, or other data.

MATERIAL	
REFERENCE	EAR 967411-0 GEN# ASSYMI_MINI-UHF

DRAWN	C. McGRATH	DATE	11/2/99
ENGINEER	T. AUBIN	DATE	11/2/99
APPROVED		DATE	
CAD FILE	I:\MINI-UHF\81-115-RFX		

TITLE	MINI-UHF CRIMP CRIMP PLUG FOR RG-58, 141 & 142 CABLE, 50 OHM
CODE ID	74868
DWG SIZE	B
DRAWING NO.	81-115-RFX

Amphenol Amphenol Corporation Communication and Network Products Division Danbury, CT U.S.A. 06810	
SCALE: 4.0:1	SHEET 2 OF 2
REV	C

X-ON Electronics

Largest Supplier of Electrical and Electronic Components

Click to view similar products for [RF Connectors / Coaxial Connectors](#) category:

Click to view products by [Amphenol](#) manufacturer:

Other Similar products are found below :

[8915-1511-000](#) [89674-0827](#) [6001-7071-019](#) [6002-7051-003](#) [6002-7551-202](#) [6059674-1](#) [619550-1](#) [630059-000](#) [M39030/3-01N](#) [M3933/25-36N](#) [6500-7071-046](#) [6769](#) [CX050L2AQ](#) [7002-1542-011](#) [7004-1512-000](#) [7009-1511-004](#) [7010-1511-000](#) [7029-1511-060](#) [7101-1541-010](#) [7101-1571-002](#) [7105-1521-002](#) [7145-1521-002](#) [7203-1571-003](#) [7209-1511-011](#) [7210-1511-015](#) [7210-1511-019](#) [73137-5015](#) [73216-2241](#) [7325-1512-000](#) [73404-2300](#) [7405-1521-005](#) [7405-1521-802](#) [7406-1521-005](#) [8527](#) [8547](#) [FS11V](#) [8808-1511-001](#) [9049-9513-000](#) [9074-9513-000](#) [9101-9573-002](#) [910A205F](#) [9130-9573-002](#) [PL11SC-026](#) [PL375-33](#) [PL40-5](#) [PL71-9](#) [PL74C-221](#) [PL75MC-217](#) [PL803-7](#) [980-8666-005](#)