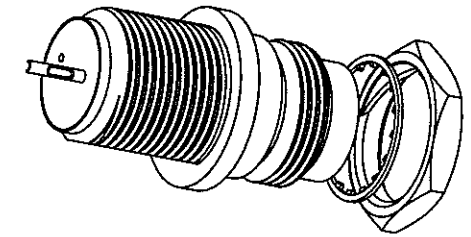


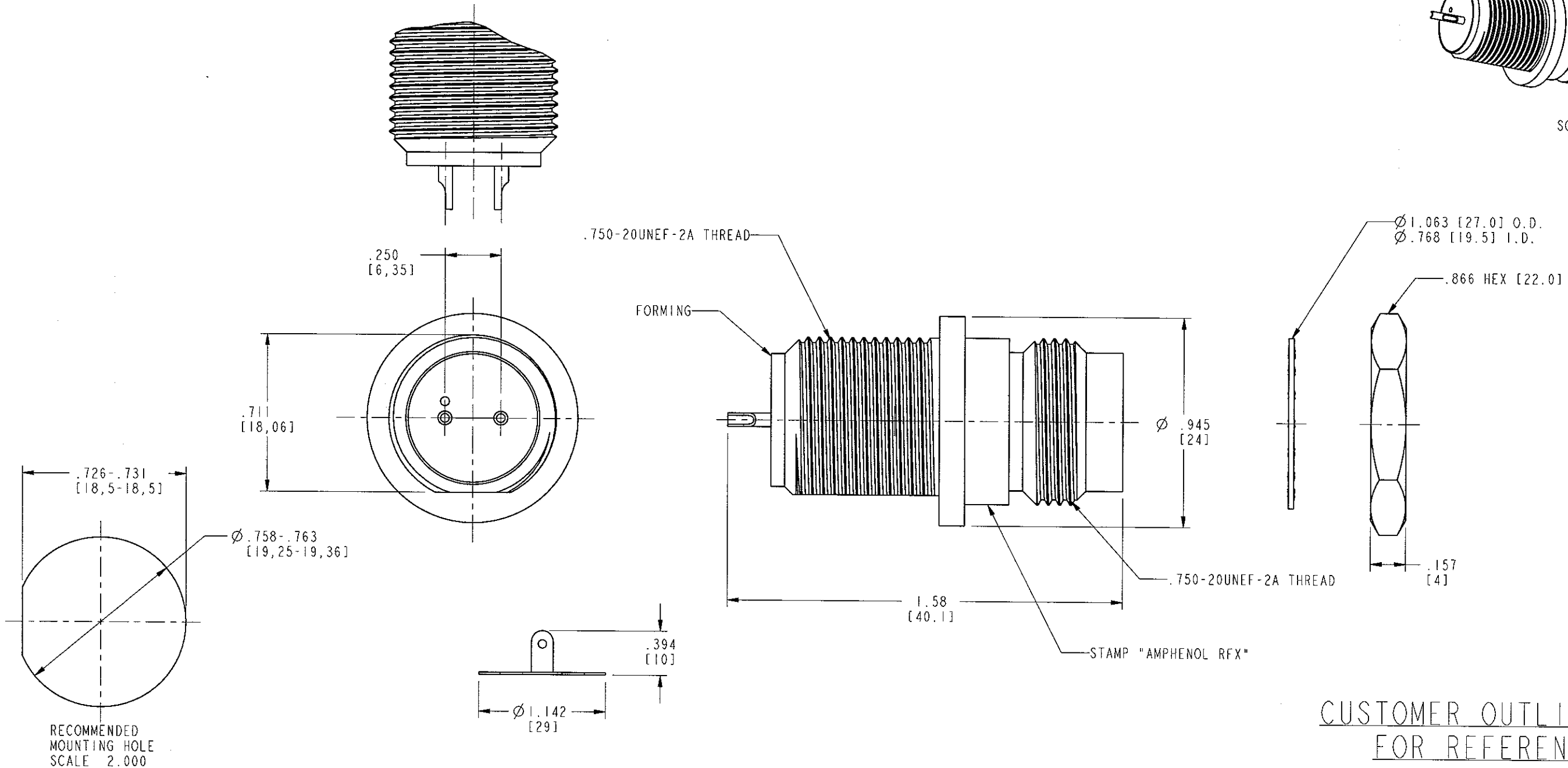
NOTES:

- MATERIALS OF CONSTRUCTION:
 BODY, HEX NUT, PINS = BRASS (Q0-B-626), NICKEL PLATE
 LOCKWASHER & SOLDER TAG = BRASS (Q0-B-613), NICKEL PLATE
 CONTACT PIN = PHOSPHOR BRONZE, GOLD PLATE
 INSULATORS = PBT, COLOR WHITE
- PACKAGE CONNECTOR IN BAG.

| | | | | | |
|-------------------|-----|-----------------|---------|-------|------|
| 82-5590-RFX | | REVISIONS | | | |
| DRAWING NO. | REV | DESCRIPTION | DATE | ECO | APPR |
| THIRD ANGLE PROJ. | -- | RELEASE TO MFG. | | | |
| | B | SEE SHEET 1 | 5/25/00 | 43204 | CPM |



SCALE 1.000



CUSTOMER OUTLINE DRAWING FOR REFERENCE ONLY

| | | | | | |
|---|------------------------------------|---------------------------------|-------------------|--|---|
| UNLESS OTHERWISE SPECIFIED, DIMENSIONS ARE IN INCHES AND TOLERANCES ARE: 2 PLACE DECIMAL 3 PLACE DECIMAL ANGLES $\pm .015$ (0,381 mm) $\pm .005$ (0,127 mm) $\pm 1^\circ$ | MATERIAL | DRAWN C. McGRATH | DATE 01-Dec-99 | TITLE TWINAXIAL BULKHEAD RECEPT. JACK | Amphenol Amphenol Corporation Communication and Network Products Division Danbury, CT U.S.A. 06810 |
| | REFERENCE GEN# 82-5590-RFX_ASSY | ENGINEER T. AUBIN | DATE 01-Dec-99 | | |
| NOTICE - These drawings, specifications, or other data (1) are, and remain the property of Amphenol Corp. (2) must be returned upon request; and (3) are confidential and not to be disclosed to any person other than those to whom they are given by Amphenol Corp. The furnishing of these drawings, specifications, or other data by Amphenol Corp., or to any other person to anyone for any purpose is not to be regarded by implication or otherwise in any manner licensing, granting rights or permitting such holder or any other person to manufacture, use or sell any product, process or design, patented or otherwise, that may in any way be related to or disclosed by said drawings, specifications, or other data. | | APPROVED <i>T. Aubin</i> | DATE 5/23/00 | | SCALE: 2.0:1 SHEET 2 OF 2 |
| | | CAD FILE I:\TWIN\82-5590-RFX | CODE ID 74868 | DWG SIZE B | DRAWING NO. 82-5590-RFX |

X-ON Electronics

Largest Supplier of Electrical and Electronic Components

Click to view similar products for [RF Connectors](#) / [Coaxial Connectors](#) category:

Click to view products by [Amphenol](#) manufacturer:

Other Similar products are found below :

[R125315120](#) [8915-1511-000](#) [89674-0827](#) [5916-1103-603](#) [6-0001-3](#) [6001-7071-019](#) [6002-7051-003](#) [6002-7551-202](#) [6059674-1](#) [619550-1](#)
[630059-000](#) [M39012/25-0021](#) [M39012/79-3008](#) [M39030/3-01N](#) [M39030/3-03N](#) [M3933/25-36N](#) [6500-7071-046](#) [M83723/72W24576](#)
[M83723/72W2457N](#) [6769](#) [CX050L2AQ](#) [7002-1541-010](#) [7002-1572-002](#) [7003-1572-002](#) [7004-1512-000](#) [7010-1511-000](#) [7029-1511-060](#)
[7101-1541-010](#) [7101-1571-002](#) [7105-1521-002](#) [7145-1521-002](#) [7209-1511-011](#) [7210-1511-015](#) [7210-1511-019](#) [7225-1512-050](#) [7242-1511-](#)
[000](#) [73137-5015](#) [73251-0111](#) [73251-0672](#) [7325-1512-000](#) [73276-1501](#) [73366-0013](#) [73404-2300](#) [73413-6080](#) [73415-5721](#) [7405-1521-005](#)
[7405-1521-802](#) [7406-1521-005](#) [804S01D04M040](#) [8145-1521-002](#)