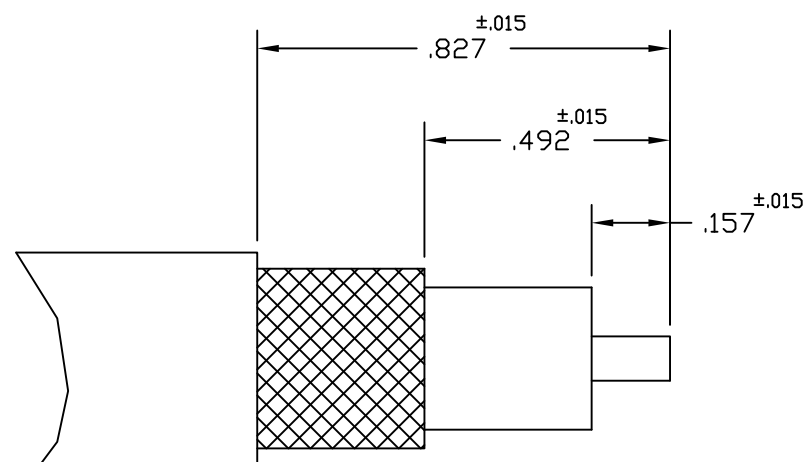
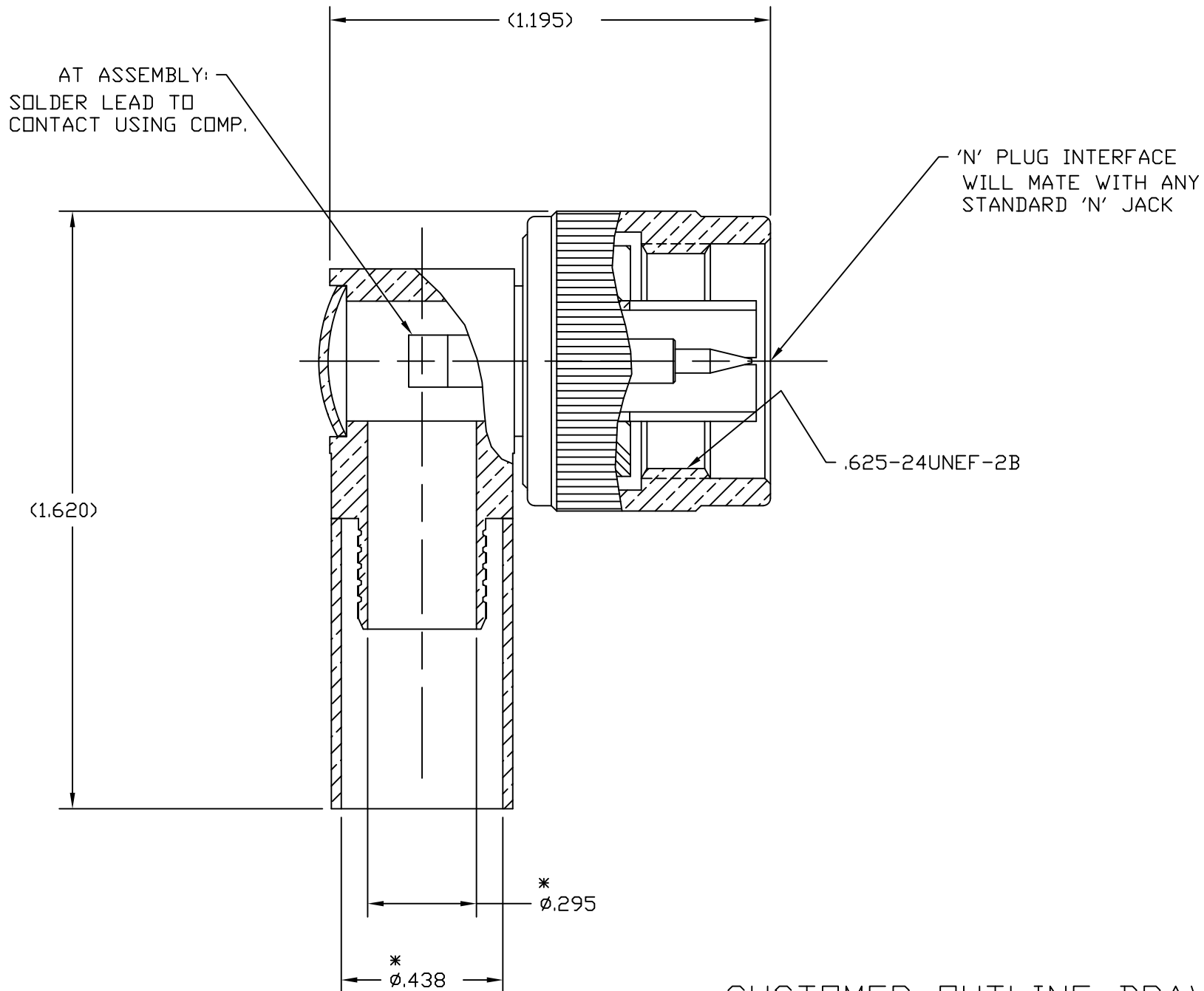


NOTES:

- MATERIALS:
 CONTACT - BRASS, GOLD PLATED.
 INSULATOR - PTFE
 CUBE BODY - BRASS, SILVER PLATED.
 SLOTTED BODY - BRASS, SILVER PLATED.
 END CAP - BRASS, NICKEL PLATED.
 FERRULE - COPPER, SILVER PLATED.
 COUPLING NUT - BRASS, SILVER PLATED.
 SNAP RING - PHOSPHOR BRONZE.
 GASKET - SILICONE RUBBER.
- ASTERISK (*) INDICATES CABLE ENTRY DIMENSIONS.
- CRIMP WITH TOOL 227-944 AND DIE SET 227-1221-25, CAVITY 'A' OR USE CRIMP TOOL CTL-3, CAVITY NUMBER 2. SEE AMPHENOL SPEC. 349-50621 FOR COMPLETE ASSEMBLY INSTRUCTIONS.
- DIMENSIONS IN PARENTHESIS ARE REFERENCE.

82-5988-1000		REVISIONS			
DRAWING NO.	REV	DESCRIPTION	DATE	ECO	APPR
THIRD ANGLE PROJ.	A	RELEASE TO MFG.	11/20/95	41044	RF/RAV
	B	SEE SHEET ONE FOR REVISIONS	4/14/97	41866	CPM/
	C	SEE SHEET ONE FOR REVISIONS	9/7/12	49241	CPM/



RECOMMENDED CABLE STRIPPING DIMENSIONS

CUSTOMER OUTLINE DRAWING
 ALL OTHER SHEETS ARE FOR INTERNAL USE ONLY

UNLESS OTHERWISE SPECIFIED, DIMENSIONS ARE IN INCHES AND TOLERANCES ARE: 2 PLACE DECIMAL 3 PLACE DECIMAL ANGLES ±.015 (0,381 mm) ±.005 (0,127 mm) ± 1'	MATERIAL	DRAWN R. FAZIO	DATE 11/3/95	TITLE QUICK CRIMP 'N' RT. ANGLE PLUG FOR RG-214 & RG-393 CABLES	Amphenol Amphenol Corporation RF/Microwave Operations Danbury, Conn. U.S.A. 06810 SCALE: 2.5:1 SHEET 2 OF 2	
	REFERENCE EAR 964686-1	ENGINEER R. FAZIO	DATE 11/3/95			
NOTICE - These drawings, specifications, or other data (1) are, and remain the property of Amphenol Corp. (2) must be returned upon request; and (3) are confidential and not to be disclosed to any person other than those to whom they are given by Amphenol Corp. The furnishing of these drawings, specifications, or other data by Amphenol Corp., or to any other person to anyone for any purpose is not to be regarded by implication or otherwise in any manner licensing, granting rights or permitting such holder or any other person to manufacture, use or sell any product, process or design, patented or otherwise, that may in any way be related to or disclosed by said drawings, specifications, or other data.		APPROVED R. VACCARO	DATE 11/16/95			
		CAD FILE H:\DEPT611\N\082\ASSY\5988\1000SH2.DWG	CODE ID 74868	DWG SIZE B	DRAWING NO. 82-5988-1000	ISSUE C

X-ON Electronics

Largest Supplier of Electrical and Electronic Components

Click to view similar products for [RF Connectors / Coaxial Connectors](#) category:

Click to view products by [Amphenol](#) manufacturer:

Other Similar products are found below :

[8915-1511-000](#) [89674-0827](#) [6001-7071-019](#) [6002-7051-003](#) [6002-7551-202](#) [6059674-1](#) [619550-1](#) [630059-000](#) [M39030/3-01N](#) [M3933/25-36N](#) [6500-7071-046](#) [6769](#) [CX050L2AQ](#) [7002-1542-011](#) [7004-1512-000](#) [7009-1511-004](#) [7010-1511-000](#) [7029-1511-060](#) [7101-1541-010](#) [7101-1571-002](#) [7105-1521-002](#) [7145-1521-002](#) [7203-1571-003](#) [7209-1511-011](#) [7210-1511-015](#) [7210-1511-019](#) [73137-5015](#) [73216-2241](#) [7325-1512-000](#) [73404-2300](#) [7405-1521-005](#) [7405-1521-802](#) [7406-1521-005](#) [8527](#) [8547](#) [FS11V](#) [8808-1511-001](#) [9049-9513-000](#) [9074-9513-000](#) [9101-9573-002](#) [910A205F](#) [9130-9573-002](#) [PL11SC-026](#) [PL375-33](#) [PL40-5](#) [PL71-9](#) [PL74C-221](#) [PL75MC-217](#) [PL803-7](#) [980-8666-005](#)