

NOTES:

1. MATERIALS AND FINISHES:

BODY, COUPLING NUT AND  
 OUTER CONTACT - BRASS, BLACK CHROMATE OVER NICKEL  
 CONTACT - BRASS, GOLD PLATING  
 INSULATOR AND INSULATOR DISC - PTFE, NATURAL  
 RETAINING RING - PHOSPHOR BRONZE, BLACK CHROMATE OVER NICKEL  
 GASKET - SILICONE RUBBER, RED  
 FERRULE - COPPER, BLACK CHROMATE OVER NICKEL  
 HEAT SHRINK TUBING - CROSSLINKED POLYOLEFIN, BLACK

2. ELECTRICAL:

A. IMPEDANCE: 50 OHM  
 B. FREQUENCY RANGE: DC - 6 GHz  
 C. DIELECTRIC WITHSTANDING VOLTAGE: 1000 VRMS, MIN.

3. MECHANICAL:

A. DURABILITY: 500 CYCLES MIN.  
 B. TEMPERATURE RANGE: -65°C TO +165°C  
 C. COSMETIC PARAMETERS OF PLATING PER AMPHENOL SPEC. 349-50966.

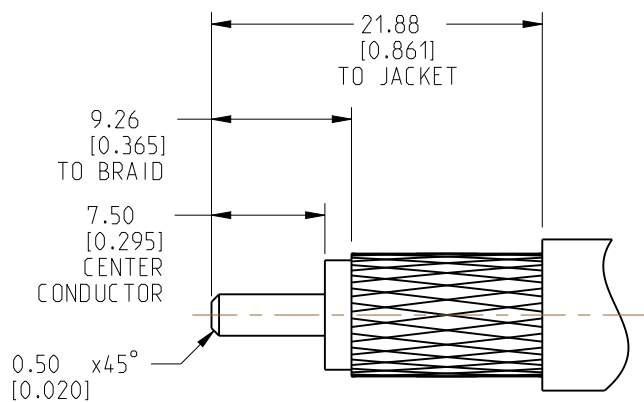
4. PACKAGING:

A. QUANTITY: SINGLE PACK  
 B. MARKING: PACKAGING TO BE MARKED  
 "AMPHENOL RF, 82-6642-BC AND DATE CODE"

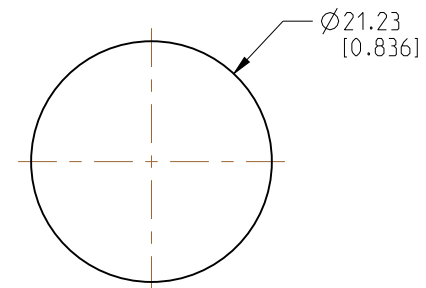
5. CABLE ASSEMBLY INSTRUCTIONS:

- A. TRIM CABLE AS SHOWN.
- B. SLIDE HEAT SHRINK TUBING, FERRULE AND INSULATOR DISC ONTO CABLE.
- C. SOLDER CABLE CENTER CONDUCTOR TO CONTACT.
- D. INSERT CABLE WITH FOIL ENTERING CONNECTOR AND BRAID OVER KNURL.
- E. CRIMP FERRULE OVER BRAID WITH 0.429" HEX DIE.
- F. APPLY HEAT SHRINK TUBING OVER FERRULE.

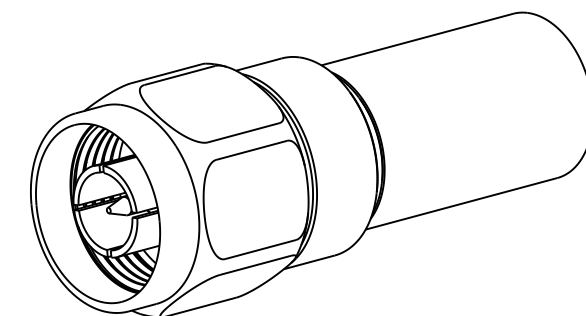
6 SHOWS CABLE ENTRY DIMENSIONS.



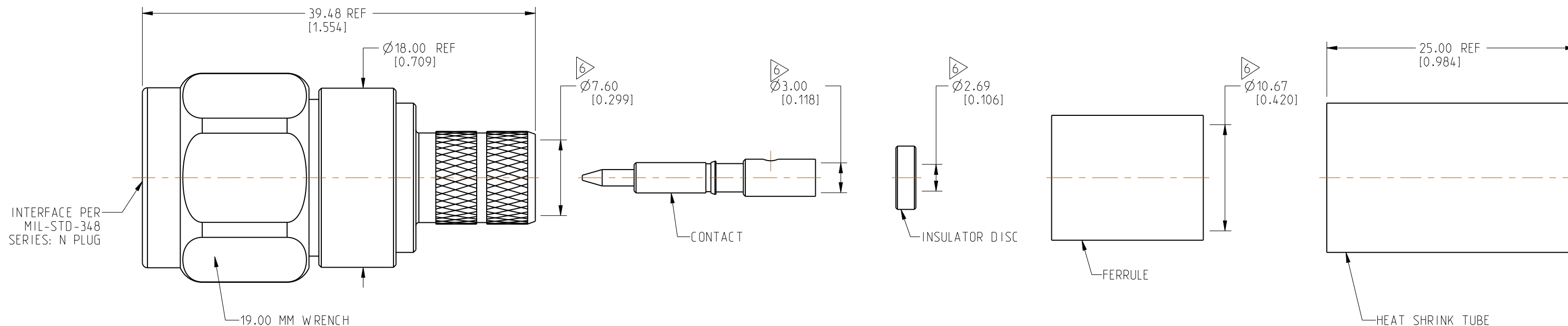
RECOMMENDED CABLE STRIPPING DIMENSIONS



MIN PASS THRU DIAMETER



SCALE 1.500



**CUSTOMER OUTLINE DRAWING**

ALL OTHER SHEETS ARE FOR INTERNAL USE ONLY

NOTICE: These drawings, specifications, or other data (1) are, and remain the property of Amphenol corp. (2) must be returned upon request; and (3) are confidential and not to be disclosed to any person other than those to whom they are given by Amphenol Corp. The furnishing of these drawings, specifications, or other data by Amphenol Corp., or to any other person to anyone for any purpose is not to be regarded by implication or otherwise in any manner licensing, granting rights to permitting such holder or any other person to manufacture, use or sell any product, process or design, patented or otherwise, that may in any way be related to or disclosed by said drawings, specifications, or other data.

UNLESS OTHERWISE SPECIFIED  
 DIMENSIONS ARE METRIC (INCHES) AND TOLERANCES ARE:  
 <0.5mm = ±0.05mm [-0.020 = ±0.002]  
 0.5 - 6mm = ±0.1mm [-0.020 - 0.236 = ±0.004]  
 >6.00 - 30mm = ±0.2mm [-0.236 - 1.181 = ±0.008]  
 >30.00 - 120mm = ±0.3mm [-1.181 - 4.725 = ±0.012]

MATERIAL  
 SEE NOTES

ENGR.1  
 SIVA

ENGR.2  
 M.ZHANG

DATE  
 30-SEP-22

TITLE  
 N STR PLUG FOR  
 LMR 400 CABLE  
 BLACK PLATED

SHEET NO. 2 OF 2

SCALE: 2.5:1.0

Amphenol RF

SIZE	DRAWING NO. 82-6642-BC	REV
	ITEM NO. 82-6642-BC	A
	PART NO. 82-6642-BC	

THIRD ANGLE PROJ.

REFERENCE  
 82-6642

EAR#  
 11379

ANGLES = ±1°

## X-ON Electronics

Largest Supplier of Electrical and Electronic Components

*Click to view similar products for [RF Connectors / Coaxial Connectors](#) category:*

*Click to view products by [Amphenol](#) manufacturer:*

Other Similar products are found below :

[89674-0827](#) [6059674-1](#) [630059-000](#) [6501-1071-002](#) [6769](#) [7002-1541-010](#) [7002-1572-002](#) [7004-1512-000](#) [7009-1511-004](#) [7101-1541-010](#)  
[7101-1571-002](#) [7105-1521-002](#) [7203-1571-003](#) [7209-1511-011](#) [7210-1511-040](#) [7242-1511-000](#) [7405-1521-005](#) [7405-1521-802](#)  
[804S01D04M040](#) [8527](#) [8547](#) [FS11V](#) [877931](#) [8808-1511-001](#) [9049-9513-000](#) [9074-9513-000](#) [PL11C-026](#) [PL40-36](#) [9408-1113-000](#) [980-](#)  
[8666-005](#) [11 SMA-50-2-6 / 111 NE](#) [11 SMA-50-3-6 / 111 NE](#) [1-201144-1](#) [120919](#) [R107003010W](#) [R112186000](#) [R113053000W](#) [R113082097](#)  
[R113236000](#) [R114083000](#) [R114670000W](#) [R123415000W](#) [R124076320](#) [R124076450](#) [R124175123](#) [R125075000W](#) [R125075001](#)  
[R125172000W](#) [R125415030](#) [R141007161](#)