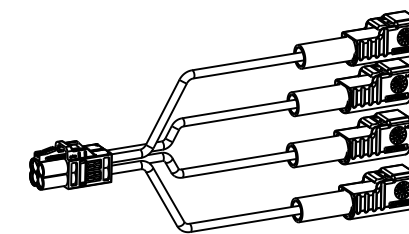


NOTES:

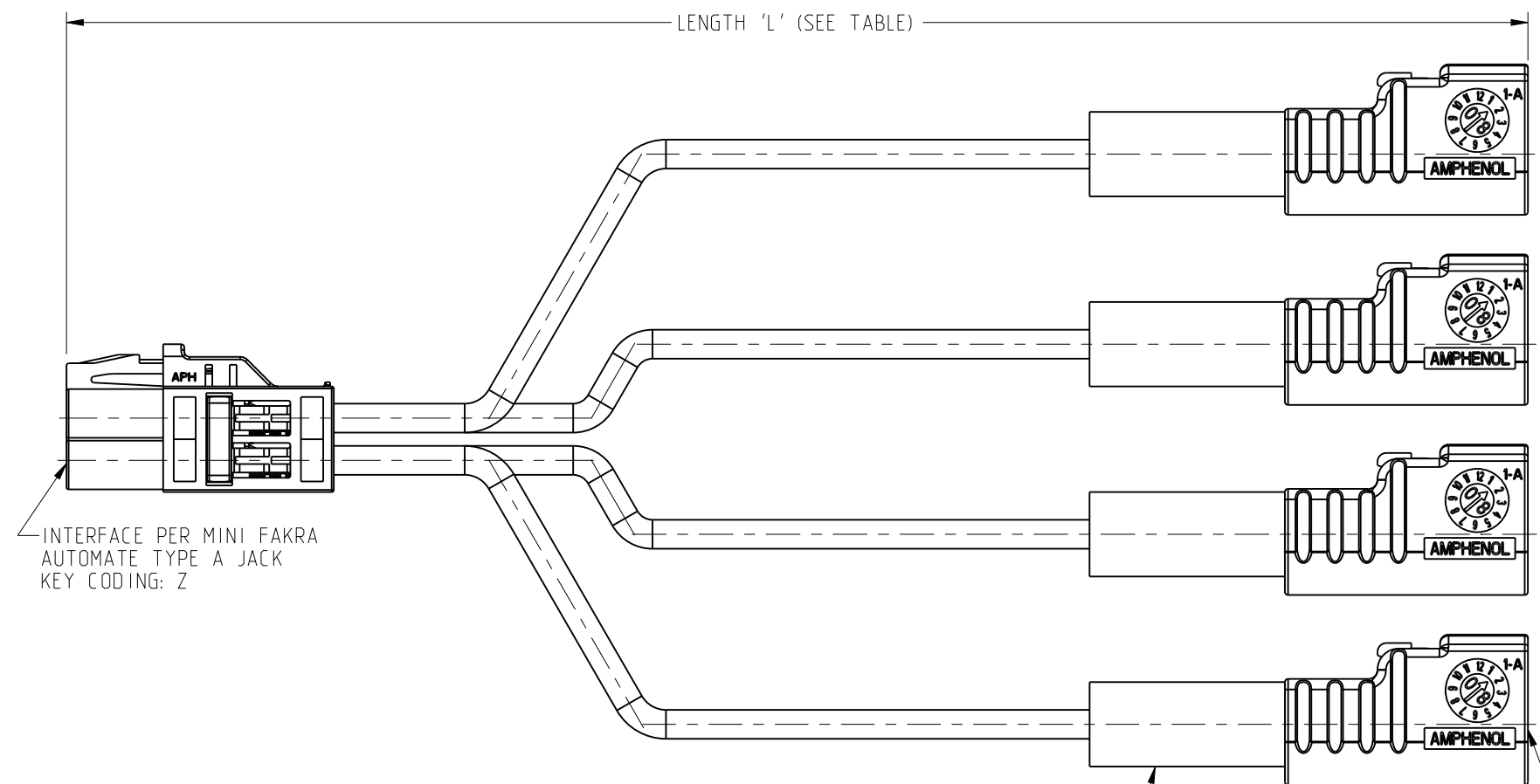
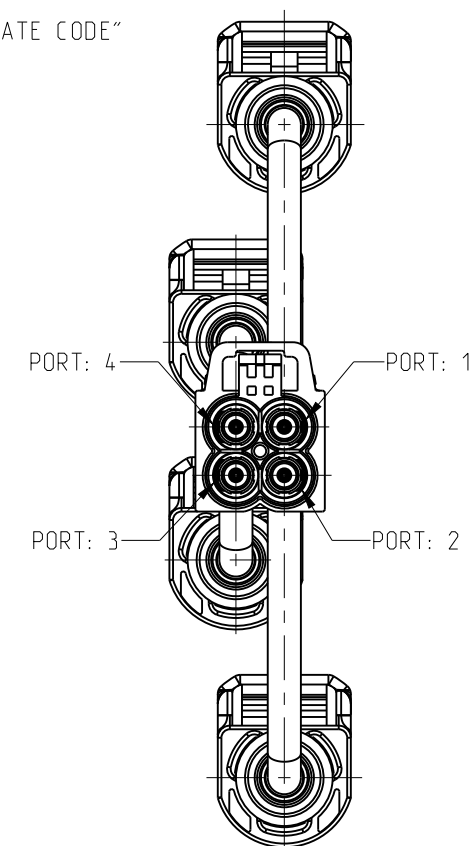
1. MATERIALS AND FINISHES:
 MINI FAKRA AUTOMATE TYPE A STR JACK QUAD: MFK0121ZW-002-TP30G-50
 GEN 3.5 FAKRA STR JACK IP 67: 3FA1ENZSJ-C01ES

 CABLE - RG 174 HT
2. ELECTRICAL:
 A. IMPEDANCE: 50 OHM
3. MECHANICAL:
 A. TEMPERATURE RANGE: -40°C TO +85°C
 B. GEN 3.5 FAKRA IP-67 SEALED IN MATED CONDITION
4. PACKAGING:
 A. QUANTITY: SINGLE PACK
 B. MARKING: PACKAGING TO BE MARKED
 "AMPHENOL RF, 95-820-157-XXX AND DATE CODE"

REVISIONS				
REV	DESCRIPTION	DATE	ECN	BY
A	RELEASE TO MFG.	27-JAN-23	16545	SH



SCALE 0.400



INTERFACE PER MINI FAKRA AUTOMATE TYPE A JACK KEY CODING: Z

ADHESIVE LINED HEAT SHRINK TUBE TYP(4)

INTERFACE PER DIN 72594-1 SERIES: FAKRA JACK KEY CODING: Z TYP(4)

LENGTH TABLE		
PART NUMBER (IMPERIAL)	PART NUMBER (METRIC)	LENGTH 'L' IN METERS [INCHES]
95-820-157-006	-	0.1524 [6.00]
-	95-820-157M100	1.000 [39.37]
-	95-820-157M200	2.000 [78.74]

TOLERANCE TABLE	
LENGTH IN INCHES/FT [METERS]	TOLERANCE
0" - 23.99" [0 - 0.609]	±0.25" [0.006]
24.00" - 59.99" [0.610 - 1.523]	±0.50" [0.013]
5.0' - 24.99' [1.524 - 7.617]	±2.5%
25.0' & UP [7.620 & UP]	±5.0%

DESIGN REQUIREMENTS:

- | | |
|---|--|
| <input checked="" type="checkbox"/> FREQUENCY: DC - 3 GHz | <input checked="" type="checkbox"/> CONTINUITY |
| <input type="checkbox"/> VSWR: _____ MAX. | <input checked="" type="checkbox"/> HI-POT: 500 VRMS |
| <input type="checkbox"/> INS. LOSS: _____ dB MAX. | <input type="checkbox"/> OTHER |

CUSTOMER OUTLINE DRAWING

ALL OTHER SHEETS ARE FOR INTERNAL USE ONLY

NOTICE: These drawings, specifications, or other data (1) are, and remain the property of Amphenol corp. (2) must be returned upon request; and (3) are confidential and not to be disclosed to any person other than those to whom they are given by Amphenol Corp. The furnishing of these drawings, specifications, or other data by Amphenol Corp., or to any other person to anyone for any purpose is not to be regarded by implication or otherwise in any manner licensing, granting rights to permitting such holder or any other person to manufacture, use or sell any product, process or design, patented or otherwise, that may in any way be related to or disclosed by said drawings, specifications, or other data.		UNLESS OTHERWISE SPECIFIED DIMENSIONS ARE METRIC [INCHES] AND TOLERANCES ARE: <0.5mm = ±0.05mm [-0.020 = ±0.002] 0.5 - 6mm = ±0.1mm [-0.020 - 0.236 = ±0.004] >6.00 - 30mm = ±0.2mm [-0.236 - 1.181 = ±0.008] >30.00 - 120mm = ±0.3mm [-1.181 - 4.725 = ±0.012]		MATERIAL SEE NOTES		TITLE MINI FAKRA AUTOMATE TYPE A STR JACK QUAD TO GEN 3.5 FAKRA STR JACK IP 67 USING RG 174 HT CABLE VARIOUS LENGTH		Amphenol RF	
THIRD ANGLE PROJ. REFERENCE		ANGLES = ±1°		ENGR.1 KARTHIK ENGR.2 M.ZHANG DATE 14-SEP-21		SHEET NO. 2 OF 2 SCALE: 1.6:1.0		SIZE B DRAWING NO. 95-820-157-XXX ITEM NO. 95-820-157-XXX PART NO. 95-820-157-XXX REV A	

X-ON Electronics

Largest Supplier of Electrical and Electronic Components

Click to view similar products for [RF Cable Assemblies](#) category:

Click to view products by [Amphenol](#) manufacturer:

Other Similar products are found below :

[73-6352-10](#) [73-6353-3](#) [73-6364-6](#) [R285001001](#) [R288940004](#) [145111-05-12.00](#) [1661-C-24](#) [1801171170914KE](#) [24P104C24J1-012](#)
[24P104C24P1-018](#) [24P204C24J1-003](#) [FCB-3030-ALT](#) [21117-046](#) [21117-050](#) [24P103C24P2-003](#) [PTWY-24-78](#) [R284008001](#) [R285001021](#)
[R288940003](#) [R288940034](#) [MDM-21PH006P-A174](#) [4814-BB-24](#) [5260-72](#) [DLP-COAX1](#) [4814-K-48](#) [115101-09-06.00](#) [MXHT83QE3000](#) [73-6351-25](#) [73-6352-3](#) [73-6353-25](#) [81-6201-1600](#) [GD0BQ0BQ024.0](#) [1-3636-600-5210](#) [R288940009](#) [R288940002](#) [PT82NSMA](#) [73-6353-10](#)
[Minibend-9](#) [Minibend-4](#) [BNC TO SMA Cable](#) [MIKROE-274](#) [Microbend MTR-11](#) [PT815NN](#) [MF53/1x8A_21MXP/11SK/305](#) [Minibend-3](#)
[Minibend-11](#) [Minibend-6](#) [Minibend-2.5](#) [Minibend-13](#) [Minibend-3.5](#)