

NOTES:

1. MATERIALS AND FINISHES:

HD-BNC STR PLUG - BRASS, NICKEL PLATING
 BNC STR PLUG - BRASS, NICKEL PLATING
 CABLE - BELDEN 1855A

2. ELECTRICAL:

A. IMPEDANCE: 75 OHM

3. MECHANICAL:

A. TEMPERATURE RANGE : -30°C TO +75°C

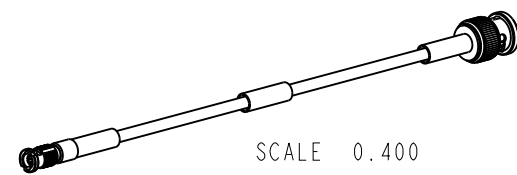
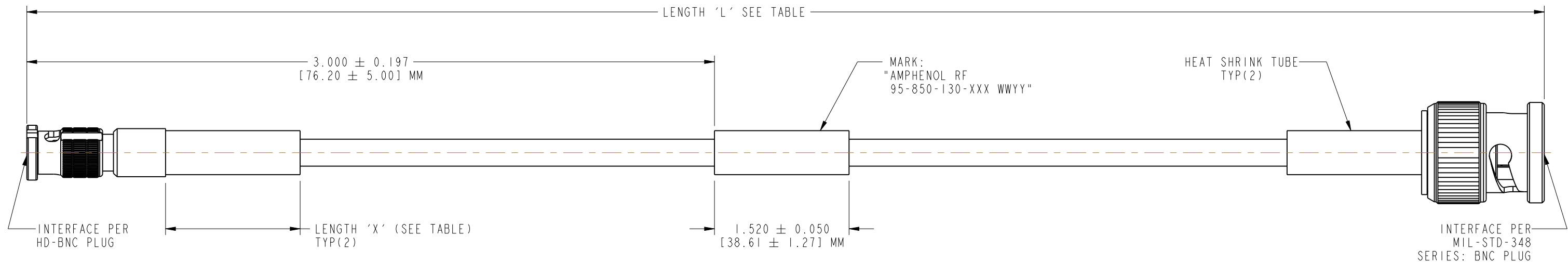
4. PACKAGING:

A. QUANTITY: SINGLE PACK
 B. MARKING: BAG TO BE MARKED
 "AMPHENOL RF, 95-850-130-XXX AND DATE CODE"

THIRD ANGLE PROJ.

REVISIONS

| REV | DESCRIPTION | DATE | ECO | APPR |
|-----|--|-----------|-------|------|
| A | RELEASE TO MFG | 10-Dec-12 | 49339 | KR |
| E | 24.00", 48.00", METRIC LENGTHS & HST LENGTHS ADDED IN LENGTH TABLE | 12/7/16 | 2143 | VK |
| F | METRIC PART NUMBERS UPDATED | 2/28/17 | 3143 | |



| LENGTH TABLE | | | |
|------------------------|----------------------|-------------------------------|-----------------------------------|
| PART NUMBER (IMPERIAL) | PART NUMBER (METRIC) | LENGTH 'L' IN INCHES [METERS] | LENGTH 'X' IN INCHES [METERS] MIN |
| 95-850-130-006 | - | 6.00 [0.152] | 0.75 [0.019] |
| - | 95-850-130M025 | 9.84 [0.250] | |
| - | 95-850-130M030 | 11.81 [0.300] | |
| 95-850-130-012 | - | 12.00 [0.305] | |
| 95-850-130-018 | - | 18.00 [0.457] | |
| - | 95-850-130M050 | 19.69 [0.500] | 1.50 [0.038] |
| 95-850-130-024 | - | 24.00 [0.610] | |
| - | 95-850-130M075 | 29.53 [0.750] | |
| 95-850-130-036 | - | 36.00 [0.914] | |
| - | 95-850-130M100 | 39.37 [1.000] | |
| 95-850-130-048 | - | 48.00 [1.219] | |
| - | 95-850-130M125 | 49.21 [1.250] | |
| - | 95-850-130M150 | 59.05 [1.500] | |
| 95-850-130-072 | - | 72.00 [1.829] | |
| - | 95-850-130M200 | 78.74 [2.000] | |
| - | 95-850-130M300 | 118.11 [3.000] | |
| - | 95-850-130M400 | 157.48 [4.000] | |
| - | 95-850-130M500 | 196.85 [5.000] | |

| TOLERANCE TABLE | |
|---------------------------------|----------------|
| LENGTH IN INCHES/FT [METERS] | TOLERANCE |
| 0" - 23.90" [0 - 0.607] | ±0.25" [0.006] |
| 24.00" - 59.00" [0.610 - 1.499] | ±0.50" [0.013] |
| 5.0' - 24.9' [1.524 - 7.617] | ±2.5% |
| 25.0' & UP [7.620 & UP] | ±5.0% |

DESIGN REQUIREMENTS:

- | | |
|---|--|
| <input checked="" type="checkbox"/> FREQUENCY : DC TO 3 GHz | <input checked="" type="checkbox"/> CONTINUITY |
| <input type="checkbox"/> VSWR : 1 MAX | <input checked="" type="checkbox"/> HI-POT: 750 VRMS |
| <input type="checkbox"/> INS. LOSS: dB MAX | <input type="checkbox"/> OTHER |

CUSTOMER OUTLINE DRAWING

ALL OTHER SHEETS ARE FOR INTERNAL USE ONLY

| | | | | | | |
|---|------------------------------|----------------|------------------------|---|--|-----------------------------------|
| UNLESS OTHERWISE SPECIFIED, DIMENSIONS ARE IN INCHES AND TOLERANCES ARE: 2 PLACE DECIMAL 3 PLACE DECIMAL ANGLES ±.015 (0.381 mm) ±.005 (0.127 mm) ± 1° | MATERIAL | DRAWN | DATE | TITLE HD-BNC STR PLUG TO BNC STR CRIMP PLUG USING BELDEN 1855A CABLE, VARIOUS LENGTH SCALE: 1.8:1.0 SHEET 2 OF 2 | | Amphenol RF www.amphenolrf.com |
| | SEE NOTES | ABHAYA KISHORE | 12-Nov-15 | | | |
| NOTICE - These drawings, specifications, or other data (1) are, and remain the property of Amphenol corp. (2) must be returned upon request; and (3) are confidential and not to be disclosed to any person other than those to whom they are given by Amphenol Corp. the furnishing of these drawings, specifications, or other data by Amphenol Corp., or to any other person to anyone for any purpose is not to be regarded by implication or otherwise in any manner licensing, granting rights to permitting such holder or any other person to manufacture, use or sell any product, process or design, patented or otherwise, that may in any way be related to or disclosed by said drawings, specifications, or other data. | REFERENCE | ENGINEER | DATE | DWG SIZE | | REV |
| | EAR # 7307 | ABHAYA KISHORE | 19-Jan-12 | B | | |
| | CONFIGURATION LEVEL: In Work | APPROVED | DATE | PART NO.95-850-130-XXX | | |
| FINISH | K.CAPOZZI | 28-Feb-17 | ITEM NO.95-850-130-XXX | | | |

X-ON Electronics

Largest Supplier of Electrical and Electronic Components

Click to view similar products for [Amphenol manufacturer](#):

Other Similar products are found below :

[PT01SE-16-8P\(027\)](#) [PT01SE-16-8P\(476\)](#) [CTV06RW-11-2JB-LC](#) [97-3108A-22-14P](#) [10-474017-10P](#) [MS27473P14B18S](#) [TV06RW-25-90AE](#)
[PT02E10-2PW](#) [PT02E10-2PX](#) [97-3106A18-3PX-958](#) [97-3106A18-3PY-958](#) [TV06RL-13-35AD](#) [TV06RL-13-98BD](#) [TV06RW-25-46AE](#)
[TV06RL-13-35SD-LC](#) [TV06RL-13-35SD](#) [TV06RL-13-98SD-LC](#) [TV06RL-13-98SD](#) [TVP00RW-23-53AD](#) [PT02E10-2PW-025](#) [100-007-213-](#)
[002-001](#) [2M805-002-16NF23-12PA](#) [97-3108B16S-5PW-417](#) [97-3108B16S-5PY-417](#) [CS-DSDMDB37MF-025](#) [97-3108B16S-5PZ-417](#)
[PT06SE2041P](#) [CF-5A9013-04N](#) [CF-6A4615-06N](#) [GTC02R32-17S-025-RDS-LC](#) [GTC02R32-17S-025-LC](#) [PT06SE-24-61P\(LC\)](#) [SP28W1F](#)
[TV07DT-25-37P](#) [TV07DT-25-37JN-LC](#) [TV07DT-25-37S](#) [TV07DT-25-37S-LC](#) [TV07DT-25-46P-LC](#) [97-3101A20-21P-958](#) [TV07DT-25-](#)
[90P-LC](#) [TV07DT-25-46A](#) [TV07DT-25-37P-LC](#) [GTS08-36-22PZ-025-B30](#) [PT00SP2241P](#) [LJT06RT-15-35PB\(023\)](#) [TV06RW-23-53AB](#)
[LJT06RT-15-68PB-023](#) [97-3106A-22-9S\(621\)](#) [PT06A14-4S-005](#) [TVS07RF-15-19BB](#)