

NOTES:

1. MATERIALS AND FINISHES:  
 BNC STR CRIMP PLUG- BRASS, NICKEL PLATING  
 HD-BNC STR PLUG - BRASS, NICKEL PLATING  
 CABLE - BELDEN 4855R
2. ELECTRICAL:  
 A. IMPEDANCE: 75 OHM
3. PACKAGING:  
 A. QUANTITY: SINGLE PACK  
 B. MARKING: BAG TO BE MARKED  
 "AMPHENOL RF, 95-850-189-XXX AND DATE CODE"

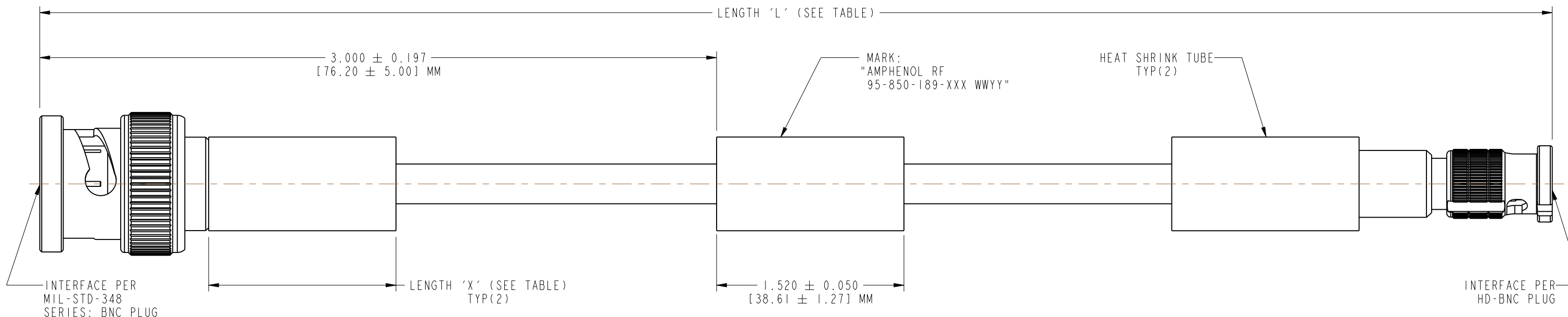
THIRD ANGLE PROJ.

REVISIONS

REV	DESCRIPTION	DATE	ECO	APPR
A	RELEASE TO MFG.	05-May-17	3682	BMG



SCALE 0.500



LENGTH TABLE			
PART NUMBER (IMPERIAL)	PART NUMBER (METRIC)	LENGTH 'L' IN INCHES [METERS]	LENGTH 'X' IN INCHES [METERS] MIN
95-850-189-006	-	6.00 [0.152]	0.75 [0.019]
-	95-850-189M025	9.84 [0.250]	
95-850-189-012	-	12.00 [0.305]	
95-850-189-018	-	18.00 [0.457]	1.50 [0.038]
-	95-850-189M050	19.69 [0.500]	
95-850-189-024	-	24.00 [0.610]	
-	95-850-189M075	29.53 [0.750]	
95-850-189-036	-	36.00 [0.914]	
-	95-850-189M100	39.37 [1.000]	
95-850-189-048	-	48.00 [1.219]	
-	95-850-189M200	78.74 [2.000]	
-	95-850-189M400	157.48 [4.000]	

TOLERANCE TABLE	
LENGTH IN INCHES/FT [METERS]	TOLERANCE
0" - 23.90" [0 - 0.607]	±0.25" [0.006]
24.00" - 59.00" [0.610 - 1.499]	±0.50" [0.013]
5.0' - 24.9' [1.524 - 7.617]	±2.5%
25.0' & UP [7.620 & UP]	±5.0%

DESIGN REQUIREMENTS:

- FREQUENCY : DC TO 12 GHz     CONTINUITY  
 VSWR : 1 MAX     HI-POT: 250 VRMS  
 INS. LOSS : \_\_\_\_ dB MAX     OTHER

**CUSTOMER OUTLINE DRAWING**  
 ALL OTHER SHEETS ARE FOR INTERNAL USE ONLY

UNLESS OTHERWISE SPECIFIED, DIMENSIONS ARE IN INCHES AND TOLERANCES ARE: 2 PLACE DECIMAL    3 PLACE DECIMAL    ANGLES ±.015 (0.381 mm)    ±.005 (0.127 mm)    ± 1°	MATERIAL	DRAWN	DATE	TITLE BNC STR CRIMP PLUG TO HD-BNC STR PLUG USING BELDEN 4855R CABLE, VARIOUS LENGTH SCALE: 2.5:1.0 SHEET 2 OF 2	Amphenol RF www.amphenolrf.com
	SEE NOTES	VIJI K	24-Mar-17		
NOTICE - These drawings, specifications, or other data (1) are, and remain the property of Amphenol corp. (2) must be returned upon request; and (3) are confidential and not to be disclosed to any person other than those to whom they are given by Amphenol Corp. the furnishing of these drawings, specifications, or other data by Amphenol Corp., or to any other person to anyone for any purpose is not to be regarded by implication or otherwise in any manner licensing, granting rights to permitting such holder or any other person to manufacture, use or sell any product, process or design, patented or otherwise, that may in any way be related to or disclosed by said drawings, specifications, or other data.	REFERENCE	ENGINEER	DATE	DRAWING NO. 95-850-189-XXX	
	EAR # 7624	VIJI K	24-Mar-17	ITEM NO. 95-850-189-XXX	
	CONFIGURATION LEVEL: In Work	APPROVED	DATE	PART NO. 95-850-189-XXX	
FINISH	K. CAPOZZI	05-May-17			
		CAD FILE		DWG SIZE	REV
				B	A

## X-ON Electronics

Largest Supplier of Electrical and Electronic Components

*Click to view similar products for [RF Cable Assemblies](#) category:*

*Click to view products by [Amphenol](#) manufacturer:*

Other Similar products are found below :

[73-6352-10](#) [73-6353-3](#) [73-6364-6](#) [R285001001](#) [R288940004](#) [R288940005](#) [145111-05-12.00](#) [1661-C-24](#) [1801171170914KE](#) [24P104C24J1-012](#) [24P104C24P1-006](#) [24P104C24P1-018](#) [24P204C24J1-003](#) [172-2150-EX](#) [1800920920914PJ](#) [FCB-3030-ALT](#) [21117-046](#) [21117-050](#) [PCX-24-50](#) [24P103C24P2-003](#) [25P203C25P2-003](#) [PTWY-24-78](#) [R284008001](#) [R285001021](#) [R285426000](#) [R288940003](#) [R288940008](#) [RF179-74BJ3-77RP1-0305](#) [4814-BB-24](#) [5260-72](#) [JT2N1-CL1-1F](#) [DLP-COAX1](#) [4814-K-48](#) [115101-09-06.00](#) [CCNTN2-MM-LL335-26](#) [73-6351-25](#) [73-6352-3](#) [73-6353-25](#) [1800920920610PJ](#) [GD0BQ0BQ024.0](#) [1-3636-600-5210](#) [TL8A-11SMA-11SMA-01500-51](#) [R284C0351060](#) [R288940009](#) [R284C0351028](#) [R288940002](#) [9702-1SL-1](#) [PT82NSMA](#) [73-6353-10](#) [R285020301W](#)