

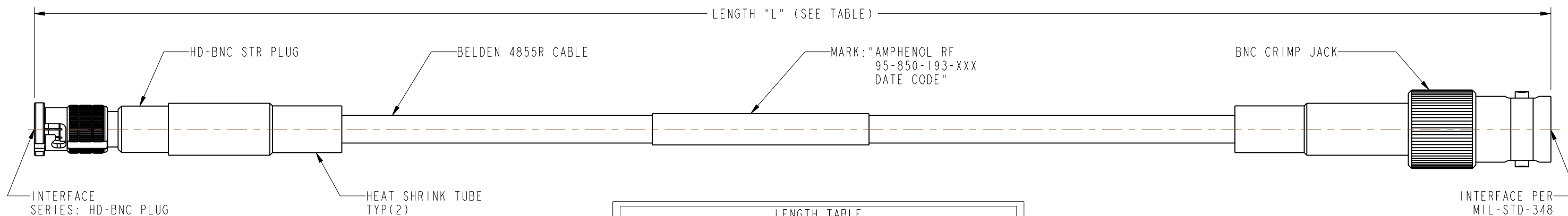
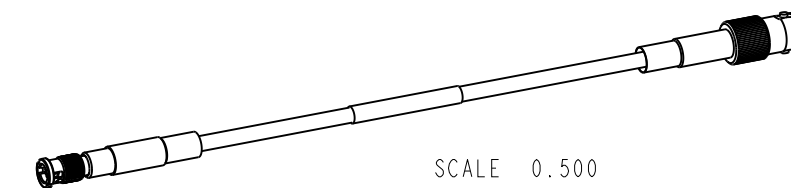
NOTES:

- 1. MATERIALS AND FINISHES:
 - HD-BNC STR PLUG - BRASS, NICKEL PLATING
 - BERYLLIUM COPPER, NICKEL PLATING
 - PHOSPHOR BRONZE, GOLD PLATING
 - PTFE, NATURAL
 - BNC CRIMP JACK - BRASS, NICKEL PLATING
 - PHOSPHOR BRONZE, GOLD PLATING
 - PTFE, NATURAL
 - CABLE - BELDEN 4855R
- 2. ELECTRICAL:
 - A. IMPEDANCE: 75 OHM
- 3. PACKAGING:
 - A. QUANTITY: SINGLE PACK
 - B. MARKING: BAG TO BE MARKED
 - "AMPHENOL RF, 95-850-193-XXX, AND DATE CODE"

THIRD ANGLE PROJ.

REVISIONS

REV	DESCRIPTION	DATE	ECO	APPR
A	RELEASE TO MFG.	10-Apr-18	7641	BMG



LENGTH TABLE		
PART NUMBER (IMPERIAL)	PART NUMBER (METRIC)	LENGTH 'L' IN INCHES [METERS]
95-850-193-006	-	6.00 [0.152]
	95-850-193M025	9.84 [0.250]
95-850-193-012	-	12.00 [0.305]
95-850-193-018	-	18.00 [0.457]
-	95-850-193M050	19.69 [0.500]
95-850-193-024	-	24.00 [0.610]
-	95-850-193M075	29.53 [0.750]
95-850-193-036	-	36.00 [0.914]
-	95-850-193M100	39.37 [1.000]
95-850-193-048	-	48.00 [1.219]
-	95-850-193M125	49.21 [1.250]
-	95-850-193M150	59.06 [1.500]
95-850-193-060	-	60.00 [1.524]
95-850-193-072	-	72.00 [1.829]
-	95-850-193M200	78.74 [2.000]
-	95-850-193M300	118.11 [3.000]
95-850-193-120	-	120.00 [3.048]
95-850-193-144	-	144.00 [3.658]
95-850-193-180	-	180.00 [4.572]
	95-850-193M500	196.85 [5.000]
95-850-193-300	-	300.00 [7.620]
-	95-850-193M10L	393.70 [10.000]
95-850-193-600	-	600.00 [15.240]
-	95-850-193M20L	787.40 [20.000]
95-850-193-900	-	900.00 [22.860]
-	95-850-193M30L	1181.10 [30.000]
95-850-193L100	-	1200.00 [30.480]

INTERFACE PER MIL-STD-348 SERIES: BNC JACK

DESIGN REQUIREMENTS:

- FREQUENCY : DC TO 12 GHz
- VSWR _____ : 1 MAX
- INS. LOSS _____ dB MAX
- CONTINUITY
- HI-POT: 1000 VRMS
- OTHER

CUSTOMER OUTLINE DRAWING

ALL OTHER SHEETS ARE FOR INTERNAL USE ONLY

UNLESS OTHERWISE SPECIFIED, DIMENSIONS ARE IN INCHES AND TOLERANCES ARE: 2 PLACE DECIMAL 3 PLACE DECIMAL ANGLES ±.015 (0,381 mm) ±.005 (0,127 mm) ± 1°	MATERIAL	DRAWN	DATE	TITLE BNC STR CRIMP JACK TO HD-BNC STR CRIMP PLUG ON BELDEN 4855R, VARIOUS LENGTHS SCALE: 1.7:1.0 SHEET 2 OF 2		Amphenol RF www.amphenolrf.com	
	SEE NOTES	B. GREENBAUM	23-Jun-17				
NOTICE - These drawings, specifications, or other data (1) are, and remain the property of Amphenol corp. (2) must be returned upon request; and (3) are confidential and not to be disclosed to any person other than those to whom they are given by Amphenol Corp. the furnishing of these drawings, specifications, or other data by Amphenol Corp., or to any other person to anyone for any purpose is not to be regarded by implication or otherwise in any manner licensing, granting rights to permitting such holder or any other person to manufacture, use or sell any product, process or design, patented or otherwise, that may in any way be related to or disclosed by said drawings, specifications, or other data.	REFERENCE	ENGINEER	DATE	DRAWING NO. 95-850-193-XXX ITEM NO. 95-850-193-XXX		PART NO. 95-850-193-XXX	
	EAR # 7771	B. GREENBAUM	23-Jun-17				
	CONFIGURATION LEVEL: In Work	APPROVED	DATE				
FINISH	K. CAPOZZI	10-Apr-18		DWG SIZE	REV		
				B	A		

X-ON Electronics

Largest Supplier of Electrical and Electronic Components

Click to view similar products for [RF Cable Assemblies](#) category:

Click to view products by [Amphenol](#) manufacturer:

Other Similar products are found below :

[73-6352-10](#) [73-6353-3](#) [73-6364-6](#) [R285001001](#) [R288940004](#) [R288940005](#) [145111-05-12.00](#) [1661-C-24](#) [1801171170914KE](#) [24P104C24J1-012](#) [24P104C24P1-006](#) [24P104C24P1-018](#) [24P204C24J1-003](#) [172-2150-EX](#) [1800920920914PJ](#) [FCB-3030-ALT](#) [21117-046](#) [21117-050](#) [PCX-24-50](#) [24P103C24P2-003](#) [25P203C25P2-003](#) [PTWY-24-78](#) [R284008001](#) [R285001021](#) [R285426000](#) [R288940003](#) [R288940008](#) [RF179-74BJ3-77RP1-0305](#) [4814-BB-24](#) [5260-72](#) [JT2N1-CL1-1F](#) [DLP-COAX1](#) [4814-K-48](#) [115101-09-06.00](#) [CCNTN2-MM-LL335-26](#) [73-6351-25](#) [73-6352-3](#) [73-6353-25](#) [1800920920610PJ](#) [GD0BQ0BQ024.0](#) [1-3636-600-5210](#) [TL8A-11SMA-11SMA-01500-51](#) [R284C0351060](#) [R288940009](#) [R284C0351028](#) [R288940002](#) [9702-1SL-1](#) [PT82NSMA](#) [73-6353-10](#) [R285020301W](#)