

NOTES:

1. MATERIALS AND FINISHES:  
 N R/A PLUG - BRASS, NICKEL PLATING  
 N STR BHD JACK - BRASS, NICKEL PLATING  
 CABLE - LMR 400

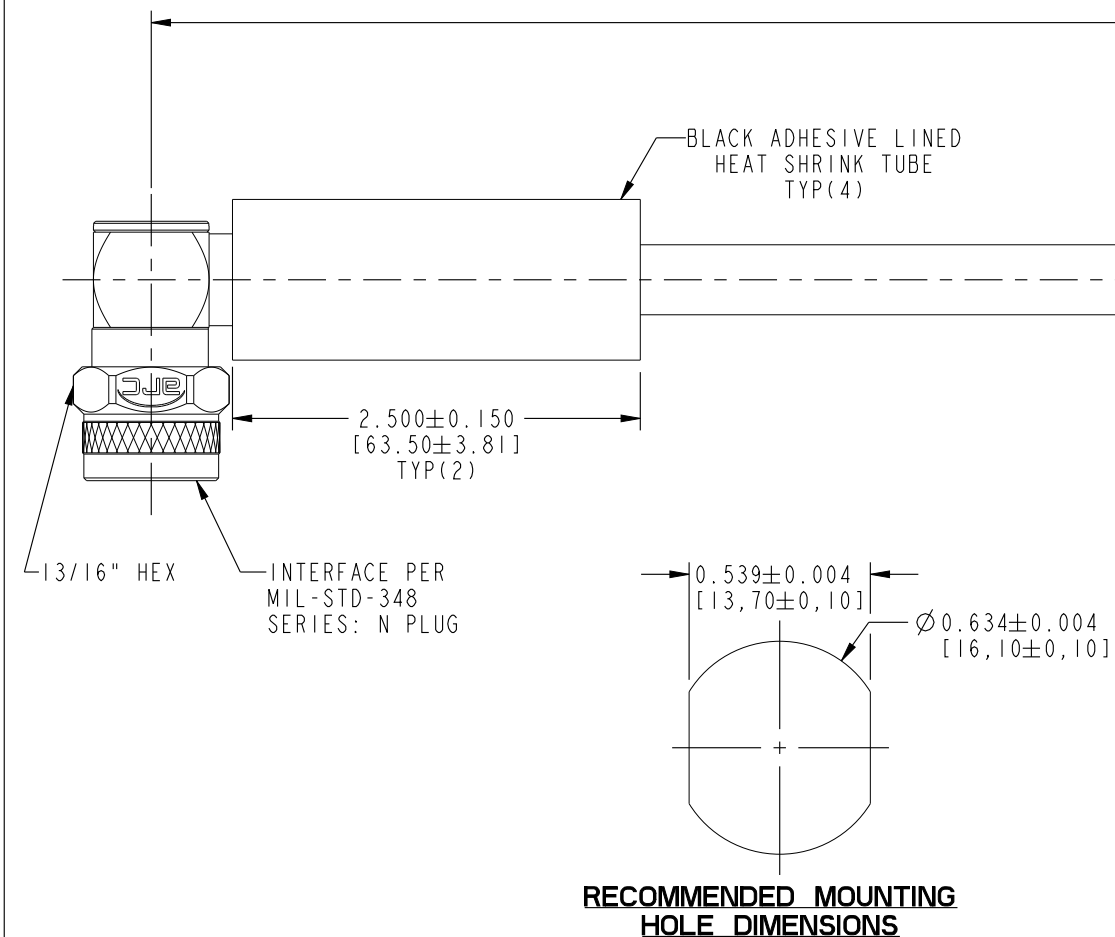
2. ELECTRICAL:  
 A. IMPEDANCE: 50 OHM

3. PACKAGING:  
 A. QUANTITY: SINGLE PACK  
 B. MARKING: BAG TO BE MARKED  
 "AMPHENOL RF, 95-909-175-XXX AND DATE CODE"

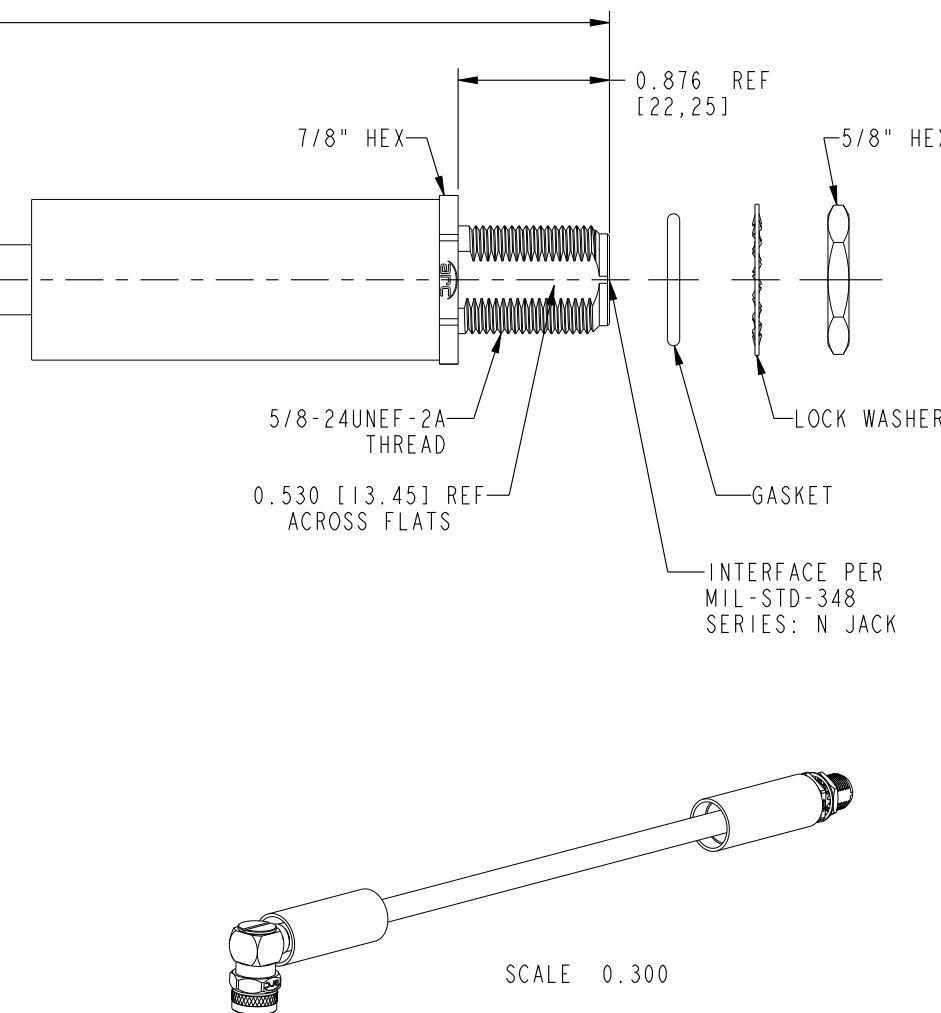
THIRD ANGLE PROJ.

REVISIONS

REV	DESCRIPTION	DATE	ECO	APPR
A	RELEASE TO MFG.	12-Feb-19	10464	SK
B	NO CHANGE TO THIS SHEET	20-Mar-19	10943	PL
C	NO CHANGE TO THIS SHEET	09-Apr-19	11201	SK



LENGTH TABLE		
PART NUMBER (IMPERIAL)	PART NUMBER (METRIC)	LENGTH 'L' IN INCHES [METERS]
95-909-175-006	-	6.00 [0.152]
-	95-909-175M025	9.84 [0.250]
95-909-175-012	-	12.00 [0.305]
95-909-175-018	-	18.00 [0.457]
-	95-909-175M050	19.69 [0.500]
95-909-175-024	-	24.00 [0.610]
-	95-909-175M075	29.53 [0.750]
95-909-175-036	-	36.00 [0.914]
-	95-909-175M100	39.37 [1.000]
95-909-175-048	-	48.00 [1.219]
-	95-909-175M150	59.06 [1.500]
95-909-175-072	-	72.00 [1.829]
-	95-909-175M200	78.74 [2.000]
95-909-175-096	-	96.00 [2.438]
95-909-175-108	-	108.00 [2.743]
-	95-909-175M300	118.11 [3.000]
95-909-175-120	-	120.00 [3.048]
-	95-909-175M400	157.48 [4.000]
95-909-175-240	-	240.00 [6.096]
95-909-175-360	-	360.00 [9.144]
-	95-909-175M10L	393.70 [10.000]
95-909-175L050	-	600.00 [15.240]
-	95-909-175M20L	787.40 [20.000]
95-909-175L075	-	900.00 [22.860]
-	95-909-175M30L	1181.10 [30.000]
95-909-175L100	-	1200.00 [30.480]



DESIGN REQUIREMENTS:			
<input checked="" type="checkbox"/> FREQUENCY: DC - 6 GHz	<input checked="" type="checkbox"/> CONTINUITY	<input type="checkbox"/> VSWR: _____ : 1 MAX.	<input checked="" type="checkbox"/> HI-POT: 750 VRMS
<input type="checkbox"/> INS. LOSS: _____ dB MIN.	<input type="checkbox"/> OTHER		

TOLERANCE TABLE	
LENGTH IN INCHES/FT [METERS]	TOLERANCE
0" - 23.90" [0 - 0.607]	±0.25" [0.006]
24.00" - 59.00" [0.610 - 1.499]	±0.50" [0.013]
5.0' - 24.9' [1.524 - 7.617]	±2.5%
25.0' & UP [7.620 & UP]	±5.0%

**CUSTOMER OUTLINE DRAWING**  
 ALL OTHER SHEETS ARE FOR INTERNAL USE ONLY

UNLESS OTHERWISE SPECIFIED, DIMENSIONS ARE IN INCHES AND TOLERANCES ARE: 2 PLACE DECIMAL 3 PLACE DECIMAL ±.015 (0,381 mm) ±.005 (0,127 mm) ANGLES ± 1°	MATERIAL SEE NOTES	DRAWN KAVI S	DATE 29-Jan-19	TITLE N R/A PLUG IP 67 TO N STR BHD JACK IP 67 USING LMR 400 CABLE VARIOUS LENGTH	Amphenol RF www.amphenolrf.com
	REFERENCE EAR # 8886	ENGINEER KAVI S	DATE 29-Jan-19		
NOTICE - These drawings, specifications, or other data (1) are, and remain the property of Amphenol corp. (2) must be returned upon request; and (3) are confidential and not to be disclosed to any person other than those to whom they are given by Amphenol Corp. the furnishing of these drawings, specifications, or other data by Amphenol Corp., or to any other person to anyone for any purpose is not to be regarded by implication or otherwise in any manner licensing, granting rights to permitting such holder or any other person to manufacture, use or sell any product, process or design, patented or otherwise, that may in any way be related to or disclosed by said drawings, specifications, or other data.	CONFIGURATION LEVEL: In Work	APPROVED K.CAPOZZI	DATE 09-Apr-19	SCALE: 0.9:1.0 SHEET 2 OF 2	ITEM NO. 95-909-175-XXX
	FINISH	CAD FILE	DWG SIZE B	REV C	PART NO. 95-909-175-XXX

## X-ON Electronics

Largest Supplier of Electrical and Electronic Components

*Click to view similar products for [RF Cable Assemblies](#) category:*

*Click to view products by [Amphenol](#) manufacturer:*

Other Similar products are found below :

[73-6352-10](#) [73-6353-3](#) [73-6364-6](#) [R285001001](#) [R288940004](#) [R288940005](#) [145111-05-12.00](#) [1661-C-24](#) [1801171170914KE](#) [24P104C24J1-012](#) [24P104C24P1-006](#) [24P104C24P1-018](#) [24P204C24J1-003](#) [172-2150-EX](#) [1800920920914PJ](#) [FCB-3030-ALT](#) [21117-046](#) [21117-050](#) [PCX-24-50](#) [24P103C24P2-003](#) [25P203C25P2-003](#) [PTWY-24-78](#) [R284008001](#) [R285001021](#) [R285426000](#) [R288940003](#) [R288940008](#) [RF179-74BJ3-77RP1-0305](#) [4814-BB-24](#) [5260-72](#) [JT2N1-CL1-1F](#) [DLP-COAX1](#) [4814-K-48](#) [115101-09-06.00](#) [CCNTN2-MM-LL335-26](#) [73-6351-25](#) [73-6352-3](#) [73-6353-25](#) [1800920920610PJ](#) [GD0BQ0BQ024.0](#) [1-3636-600-5210](#) [TL8A-11SMA-11SMA-01500-51](#) [R284C0351060](#) [R288940009](#) [R284C0351028](#) [R288940002](#) [9702-1SL-1](#) [PT82NSMA](#) [73-6353-10](#) [R285020301W](#)