

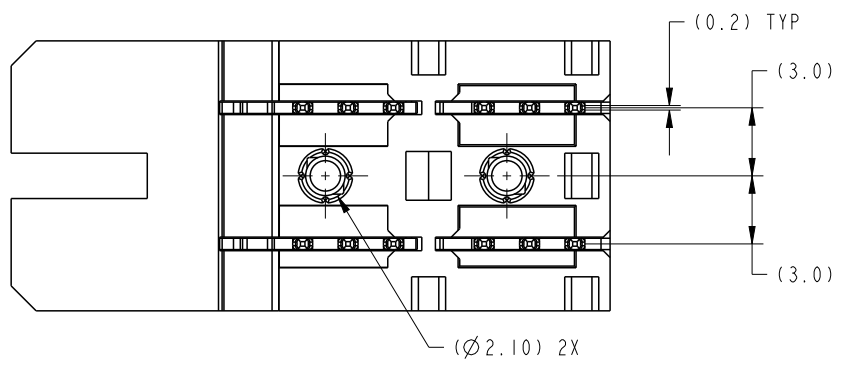
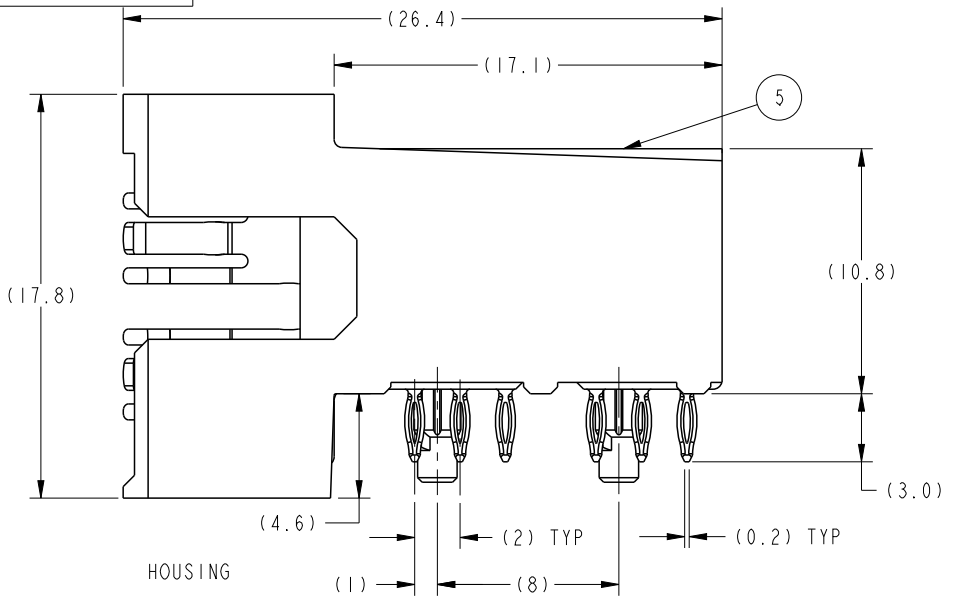
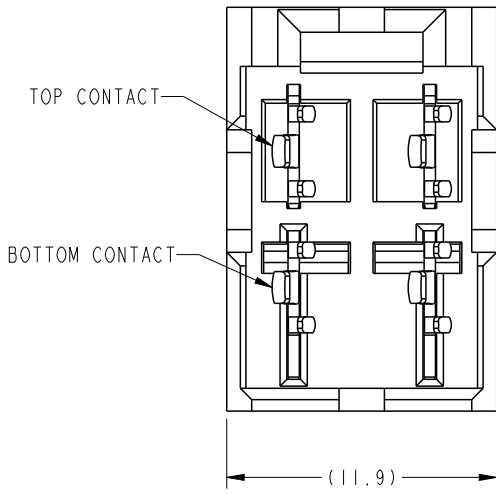
PRODUCT NUMBER (SEE NOTE 7)	CONTACT PLATING		ROHS COMPATIBILITY
	SEPARABLE INTERFACE	PRESS-FIT TAIL	
	10009542-001	$\Delta$ 0.76 $\mu$ m MIN GXT OVER NICKEL	0.5 $\mu$ m MIN TIN-LEAD NICKEL
10009542-001LF		0.5 $\mu$ m MIN MATTE TIN OVER NICKEL	SEE NOTE 8

A

B

C

D



spec ref	GS-12-220			dr	Chen-Hong Tan	2005/08/03	projection 	MM 	size	A4	scale	3:1	
tolerance std	ASME Y14.5			eng	Suzie Nah	2013/12/26			ecn no	ELX-S-16550-1			
TOLERANCES UNLESS OTHERWISE SPECIFIED			chr	-	-	product family			rel level	Released			
surface	✓	linear	0.X	±.3	FCj 	title	2 X 2 HEADER ASSEMBLY, PRESS-FIT	dwg no	10009542	rev	G	sheet 1 of 2	
			0.XX	±.13									
ASME Y14.5	angular	0°	±2°	www.fci.com									cat. no.

ProjE File - REV C - 2009-06-09

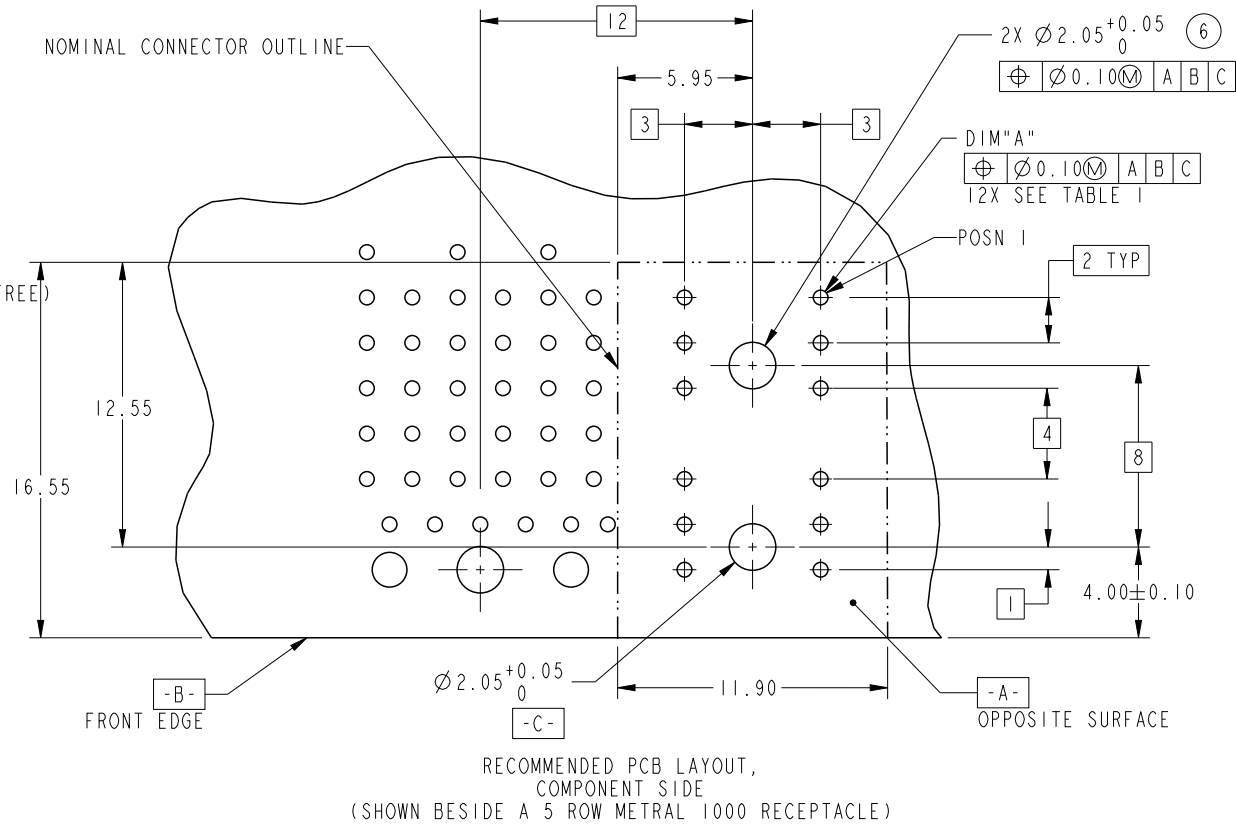


Copyright FCI.

TOP LAYER DESCRIPTION	TABLE 1 PLATED THROUGH-HOLE REQUIREMENTS							
	DRILLED HOLE DIAMETER	COPPER THICKNESS	TIN-LEAD THICKNESS	NICKEL THICKNESS	GOLD THICKNESS	TIN THICKNESS	SILVER THICKNESS	FINISHED HOLE DIAMETER (DIM"A")
TIN-LEAD	0.81-0.86 (0.85 DRILL)	0.025 - 0.050	0.005 - 0.015	--	--	--	--	0.65 - 0.80
IMMERSION TIN	0.81-0.86 (0.85 DRILL)	0.025 - 0.050	--	--	--	0.9 - 1.5 $\mu$ m	--	0.70 - 0.80
IMMERSION SILVER	0.81-0.86 (0.85 DRILL)	0.025 - 0.050	--	--	--	--	0.15 - 0.65 $\mu$ m	0.70 - 0.80
COPPER (SEE NOTE 10)	0.81-0.86 (0.85 DRILL)	0.025 - 0.050	--	--	--	--	--	0.70 - 0.80
GOLD	0.81-0.86 (0.85 DRILL)	0.025 - 0.050	--	0.003 - 0.007	FLASH UP TO 0.0002	--	--	0.69 - 0.80

NOTES:

1. CONNECTOR MATERIALS:  
HOUSING: HI TEMP THERMOPLASTIC, BLACK, UL94V-0 COMPLIANT.  
CONTACT: HIGH PERFORMANCE COPPER ALLOY
2. CONTACT PLATING:  
PRESS-FIT TAIL: 0.5-1.5 $\mu$ m TIN-LEAD OVER NICKEL (LEADED)  
: 0.5-1.5 $\mu$ m MATTE TIN OVER NICKEL (LEAD FREE)  
SEPARABLE INTERFACE: 0.76 $\mu$ m MIN GXT OVER NICKEL
3. PRODUCT SPECIFICATION: GS-12-220
4. APPLICATION SPECIFICATION: GS-20-023
5. PRODUCT MARKING (PRODUCT NUMBER & LOT CODE) ON THIS SURFACE.
6. INDICATED HOLES ARE UNPLATED.
7. "LF" SUFFIX DENOTES LEAD FREE PLATING.
8. PRODUCT MEETS EUROPEAN UNION DIRECTIVES AND OTHER COUNTRY REGULATIONS AS DESCRIBED IN FCI SPECIFICATION GS-22-008.
9. PACKAGING MEETS FCI SPECIFICATION GS-14-920.
10. COPPER PLATING THICKNESS AT CENTER OF VIA HOLE CAN BE NO MORE THAN 0.003 LESS THAN OTHER AREAS.



Copyright FCI.

spec ref	GS-12-220			dr	Chen-Hong Tan	2005/08/03	projection	MM	size	A4	scale	3:1
tolerance std	TOLERANCES UNLESS OTHERWISE SPECIFIED			eng	Suzie Nah	2013/12/26			ecn no	ELX-S-16550-1		
ASME Y14.5				chr	-	-				rel level	Released	
surface		linear	0.X	±.3		title 2 X 2 HEADER ASSEMBLY, PRESS-FIT	product family 2 mm HIGH POWER	dwg no 10009542	rev G			
ASME Y14.5		angular	0°	±2°						www.fci.com	cat. no.	-

Print File - REV C - 2009-06-09

## X-ON Electronics

Largest Supplier of Electrical and Electronic Components

*Click to view similar products for [High Speed/Modular Connectors](#) category:*

*Click to view products by [Amphenol](#) manufacturer:*

Other Similar products are found below :

[650827-1](#) [74040-1346](#) [1410191-1](#) [1410337-1](#) [1410368-3](#) [1410964-2](#) [1410326-3](#) [1410367-3](#) [1410971-4](#) [1467833-1](#) [2000877-1](#) [2000878-1](#)  
[2041314-1](#) [2065387-1](#) [2187307-1](#) [163P](#) [1934290-1](#) [2000875-1](#) [2065917-1](#) [2102736-2](#) [FSR-40](#) [2169868-2](#) [22354-8](#) [437-5040-000](#) [5-](#)  
[1393565-0](#) [039-0246-000](#) [0740618502](#) [0761601016](#) [0784461022](#) [10123159-12ELF](#) [030-2415-003/100 PK](#) [030-7380-004](#) [030-2494-001](#)  
[532939-1](#) [5532901-3](#) [3-1469268-7](#) [74748-102LF](#) [73670-0247](#) [10041743-101LF](#) [10066670-100002LF](#) [1-533915-1](#) [249-4515-000](#) [7-1469373-](#)  
[3](#) [DL2-2J/S](#) [2000713-8](#) [2000713-7](#) [3011-21](#) [757105208](#) [EBTF-4-10-2.0-S-RA-1](#) [430305-001](#)