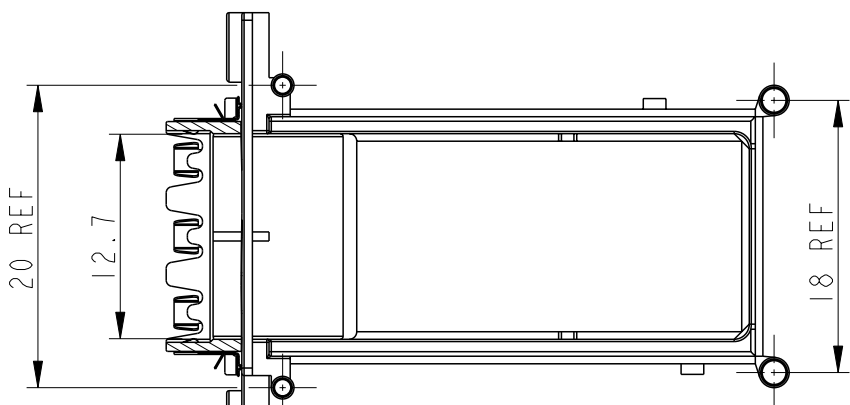


SCALE 1:1



PART NUMBERS	
10018311-001LF	LEAD FREE VERSION

NOTES:

1. Packaging specification: see GS-14-639
2. For more details, refer to drawing 72808C, 72811_C

3-ROHS INFORMATIONS:

-This product meets European Union Directives and other country regulations as described in GS-22-008.
 -Packaging spec: see GS-14-920.

rev	ecn no	dr	date
A	B20180	GNV	2002/10/28
B	LS4129	JTA	2004/12/15
C	LS06-0076	JTA	2006/05/15
D	LS06-0084	LGO	2006/06/20
E	LS08-0064	JTA	2008/03/05
-	-	-	-
-	-	-	-



Copyright FCI.

www.fciconnect.com		surface <input checked="" type="checkbox"/> ISO 1302	tolerance std ISO 406 ISO 1101	projection	mm
TOLERANCES UNLESS OTHERWISE SPECIFIED					
Dr	G. Nys	2002/03/05	ANGULAR	0.X ±0.3	size A4 Scale 2:1
Eng	G. Nys	2002/03/05	LINEAR	0.XX ±0.1	
Chr	G. Nys	2002/03/05	0° ±2°	0.XXX ±0.05	ECN LS08-0064
Appr	W. Panis	2002/03/05	Product family	SOFIX	Spec ref RELEASED
	title COVER WITH SPRING			dwg no 10018311_C Rev. E	
catalog no			SEE TABLE	CUSTOMER COPY	sheet 1 of 1

REV F - 2006-04-17

X-ON Electronics

Largest Supplier of Electrical and Electronic Components

Click to view similar products for [I/O Connectors](#) category:

Click to view products by [Amphenol](#) manufacturer:

Other Similar products are found below :

[571763P](#) [58098-0628](#) [61-168618-12P](#) [D38999/20FJ29SB L/C](#) [72.250.1628.2](#) [72.250.2428.2](#) [74720-0505](#) [747680210](#) [76.350.0729.0](#) [76871-1403](#) [FCN-244F080-G/1](#) [FCN-260A9920](#) [FCN-268D024-G/2F#10X-R10](#) [MP-5T180MUNNA-005](#) [MP-5XRJ45UNNB-003](#) [PCS-E50FA](#) [PCS-XE26LKA](#) [PCS-XE26MA+](#) [PCS-XES68MS+](#) [G38A71314B](#) [91-569719-35R](#) [9776-18-6](#) [DX40-50P\(55\)](#) [1571250010](#) [157-22500-3](#) [MS3471L14-19P L/C](#) [171224-6031](#) [1888020-8](#) [91-569786-35H](#) [91-569786-35M](#) [91-644626-35P](#) [172501-4002](#) [172501-6002](#) [FCN-260C008-A/L0](#) [FCN-260C024-AL0](#) [FCN-268D008-G/1K](#) [2000314-1](#) [200331-1](#) [2007498-2](#) [PCR-E28LMDAG1+](#) [PCR-E36FC+](#) [PCS-E28FS+](#) [PCS-XE26SLFD+](#) [PCS-XE26SLFDT+](#) [G38A71214B](#) [HDRA-E68W1LFDTC-SL+](#) [HDR-E14MSG1+](#) [R88A-CNK81S](#) [CRT1-ATT02](#) [54182-0605](#)