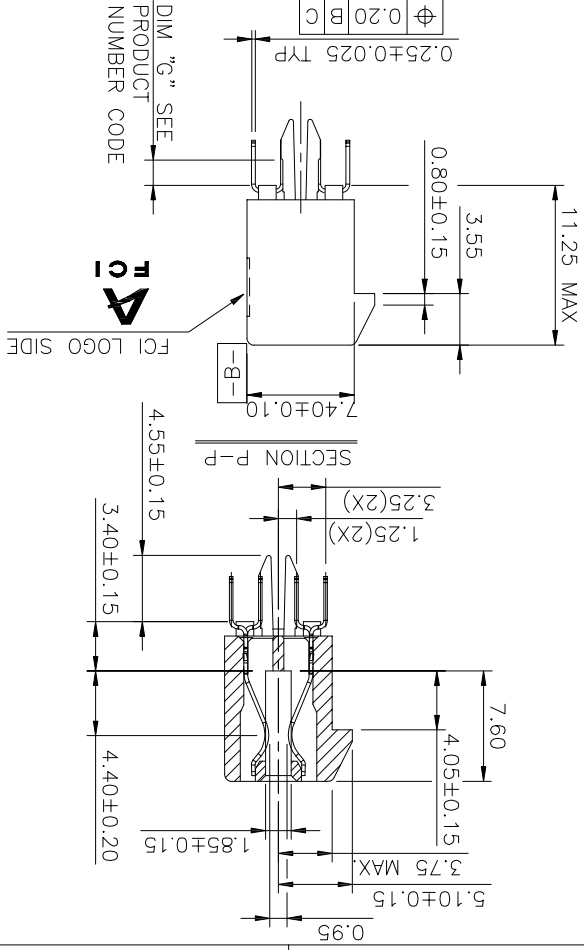
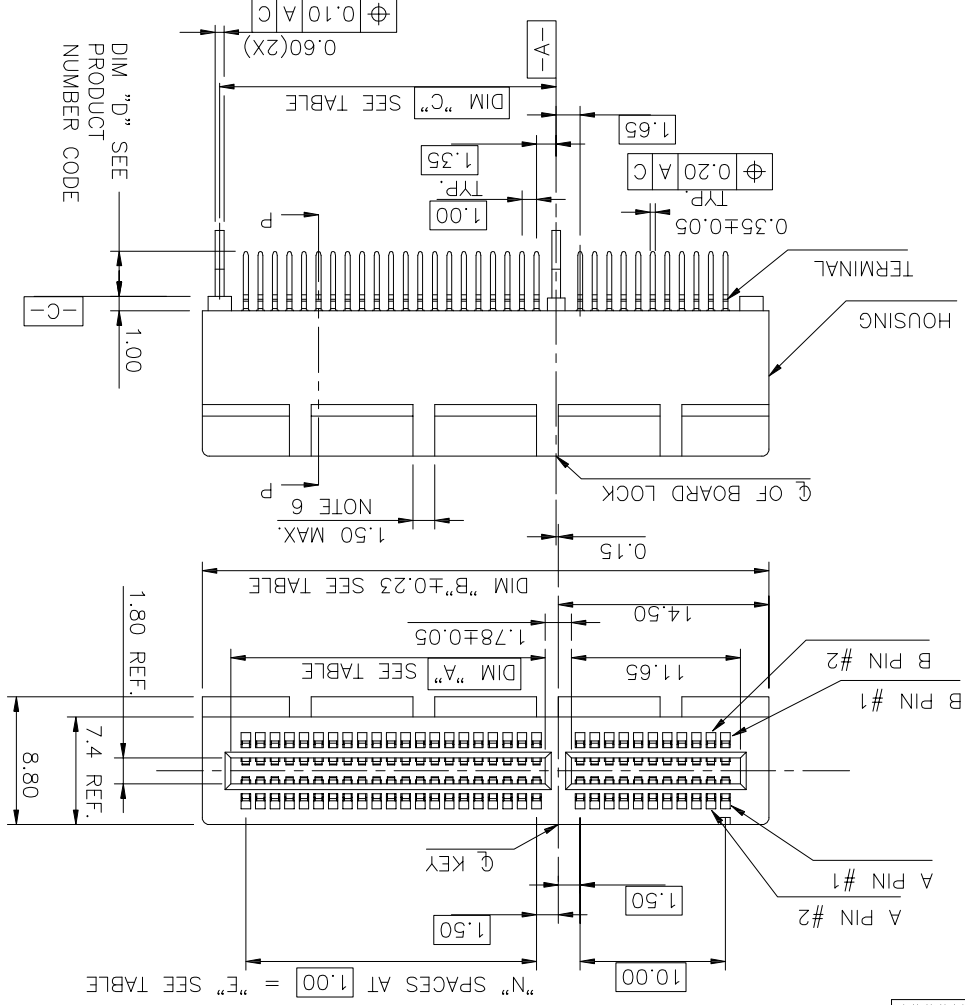
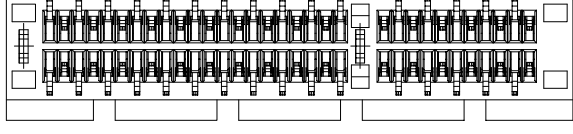


PRODUCT NO.
10018784-X1XXXX



METAL BOARD LOCKS TYPE



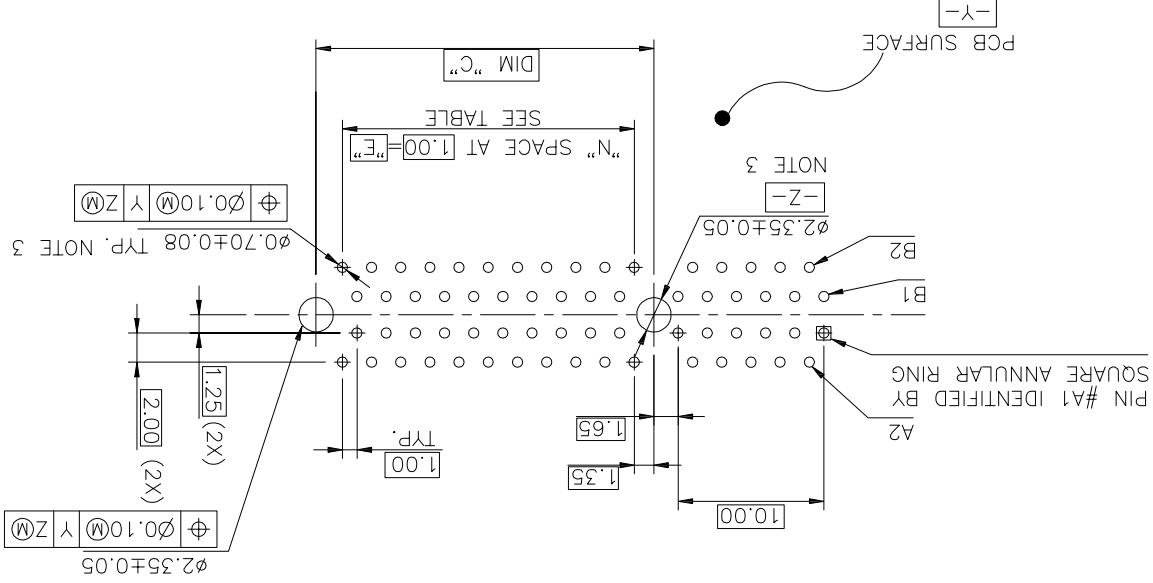
mat'l. code		itr		ecn no		dr		date	
tolerances unless otherwise specified		CUSTOMER COPY		FCI		PCI EXPRESS GEN3		CARD EDGE ASSY	
linearity		.XX ± 0.20		.XX ± 0.10		0° ± 2°		angles	
dr		STONE LI		05/27/15		engr		STONE LI	
chr		/		/		scale		2:1	
opd		PM ZHENG		05/27/15		sheet		2 of	
sheet		10018784		A4		size		dwg no	
code		TWN		product family		EDGE CARD		code	
index		sheet		revision		cage code		22526	

CONFIDENTIAL

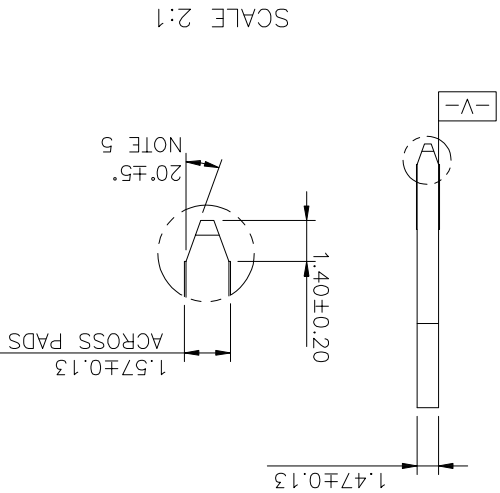
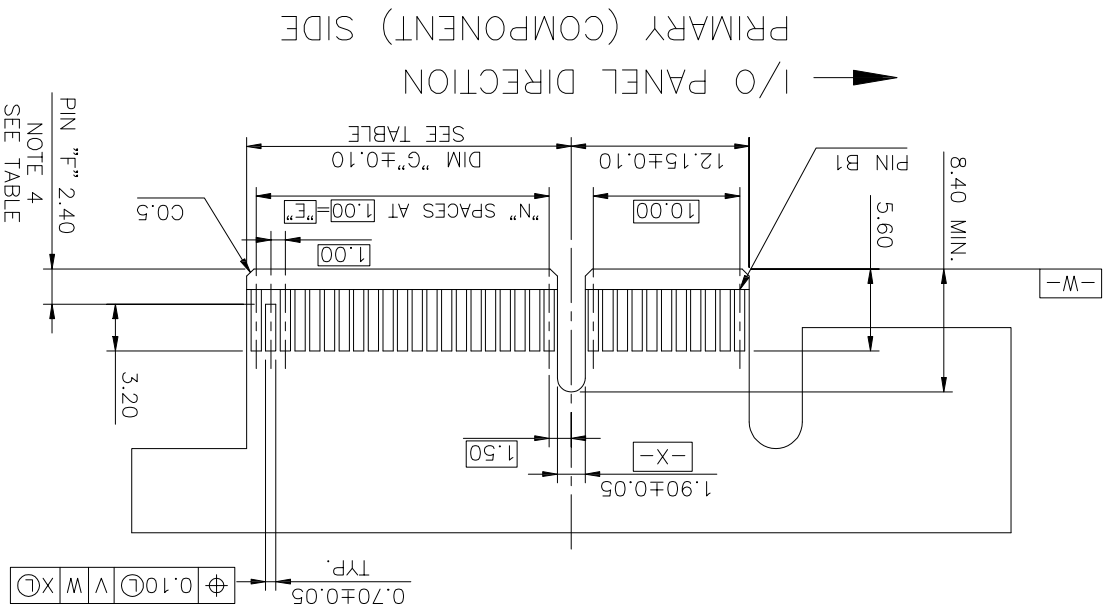
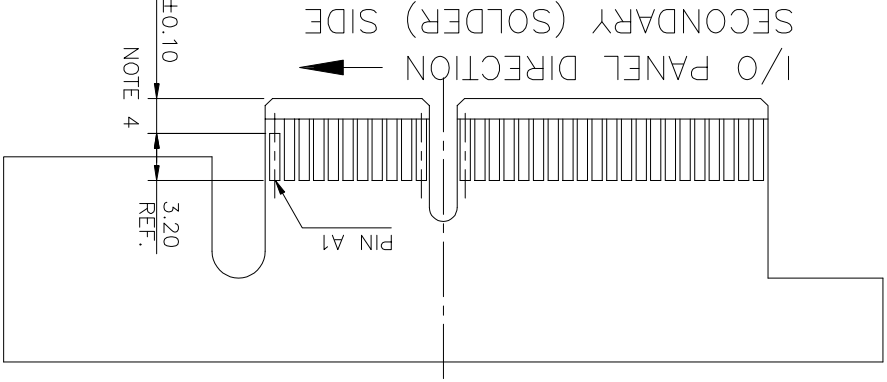
mat'l. code		tr ecn no dr date		linear		angles		dr		engr		chr		sheet		index	
tolerances unless otherwise specified		.X ±		.XX ±		.XXX ±		0 ±.2°		STONE LI 05/27/15		STONE LI 05/27/15		PM ZHENG 05/27/15		revision	
CUSTOMER COPY		projection		MM		scale		2:1		product family		EDGE GARD		code		sheet	
PCI EXPRESS GEN3		CARD EDGE ASSY		www.ftconnect.com		FCI		A		size		dwg no		10018784		3 of	
A		FCI		www.ftconnect.com		PCI EXPRESS GEN3		CARD EDGE ASSY		product family		EDGE GARD		code		sheet	
CONFIDENTIAL		A		FCI		www.ftconnect.com		PCI EXPRESS GEN3		CARD EDGE ASSY		product family		EDGE GARD		code	

RECOMMENDED FOOTPRINT

I/O PANEL DIRECTION →



#	POS REF.	N	DIM "G"	"F"
164	98	70	72.15	B81
98	64	37	39.15	B48
64	36	20	22.15	B31
36	B17	6	8.15	B17



CONFIDENTIAL

ADD-IN CARD EDGE-FINGER DIMENSIONS

mat'l. code		tolerances unless otherwise specified		CUSTOMER COPY		www.felconnect.com	
ltr	ecn no	dr	date	linear	angles	title	
				.XX ±	.XXX ±	PCI EXPRESS GEN3	
				∠ ±2°		CARD EDGE ASS'Y	
dr		STONE LI		05/27/15		product family	
engr		STONE LI		05/27/15		EDGE CARD	
chr		/		/		size dwg no	
ppd		PM ZHENG		05/27/15		10018784	
sheet	revision	scale		projection		sheet	
		2:1		MM		4 of 4	
index		cage code		22526			

B

A

1 2

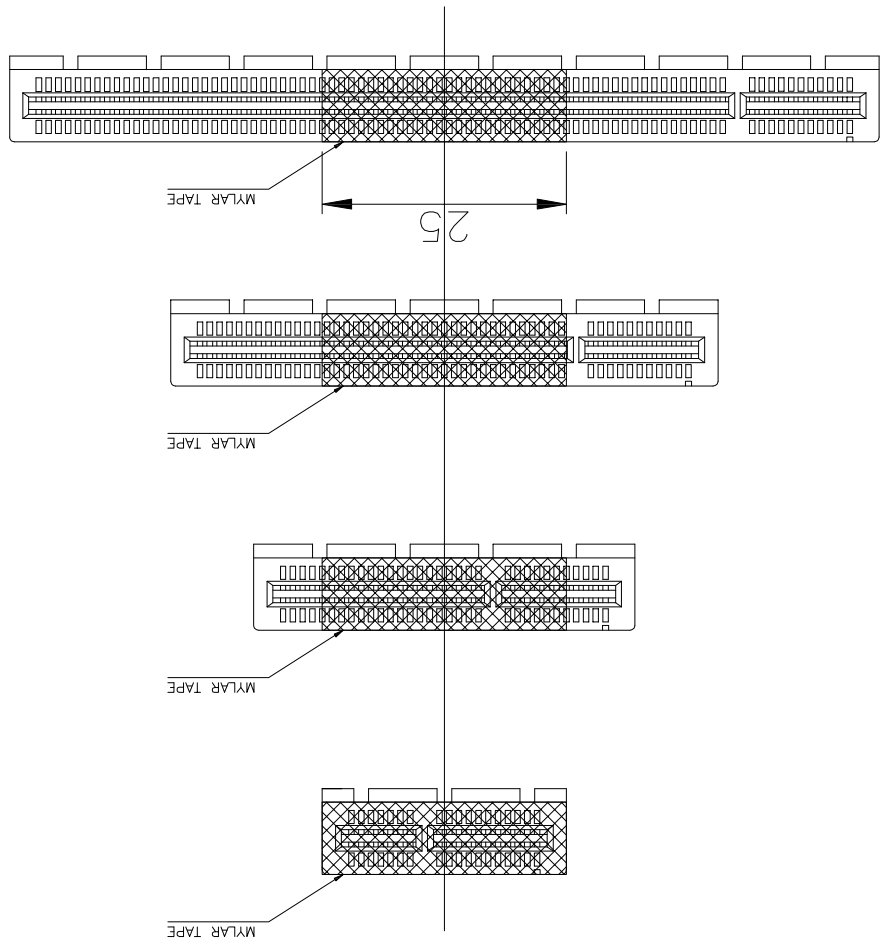
3

4

mat'l. code		itr		ecn no		dr		date		linear		angles		dr		engr		chr		opptd		PM ZHENG		05/27/15		scale		1.5:1		A4		sheet		6 of			
tolerances unless otherwise specified		.X ± 0.25		.XX ± 0.13		.XXX ± 0.05		0 ±.2°		STONE LI		05/27/15		STONE LI		05/27/15		STONE LI		05/27/15		/		/		MM		size		dwg no		10018784		sheet		10018784	
CUSTOMER COPY		projection		title		www.fciconnect.com		PCI EXPRESS GEN3 CARD EDGE ASS'Y		product family		EDGE CARD		code		TWN		sheet		6 of		sheet		10018784		cage code		22526		4		3		1		2	

CONFIDENTIAL

FIGURE 1



X-ON Electronics

Largest Supplier of Electrical and Electronic Components

Click to view similar products for [PCI Express/PCI Connectors](#) category:

Click to view products by [Amphenol](#) manufacturer:

Other Similar products are found below :

[UEX220-6U](#) [0877159203](#) [10039755-10110TLF](#) [10039755-10211TLF](#) [10025026-10003PLF](#) [10125756-A41010LF](#) [10125756-980000LF](#) [1-1871239-2](#) [2170560-2](#) [10082378-11003TLF](#) [10125756-980000LF](#) [1775861-2](#) [10039755-10111TLF](#) [EB220-3U](#) [WD2M144WB2R300](#)
[10061913-120PLF](#) [10108777-10002WLF](#) [GPCP146400111HR](#) [10144667-112Y0LF](#) [10144667-113Y0LF](#) [205058-1001](#) [GPCP446200120HR](#)
[GPCP245400111HR](#) [10082378-10000TLF](#) [10082378-10001TLF](#) [87715-9256](#) [MDT580M03001](#) [0877159107](#) [205058-1003](#) [MDT580M01001](#)
[10018783-11000MLF](#) [10061913-103BLF](#) [10145445-10003MLF](#) [PSASF2130311TR](#) [10147430-113T0LF](#) [10146070-113Y0LF](#)
[MDT670M01005](#) [10108777-10200MLF](#) [MDT420M01002](#) [PSASF3130211TR](#) [PSASF4130051TR](#) [PSASM2130412TR](#) [PSASM2130391TR](#)
[10139595-111T0LF](#) [10139595-110T0LF](#) [PSASF3130131TR](#) [0745400501](#) [7-1734774-7](#) [10150900-052R2LF](#) [3-1761465-1](#)