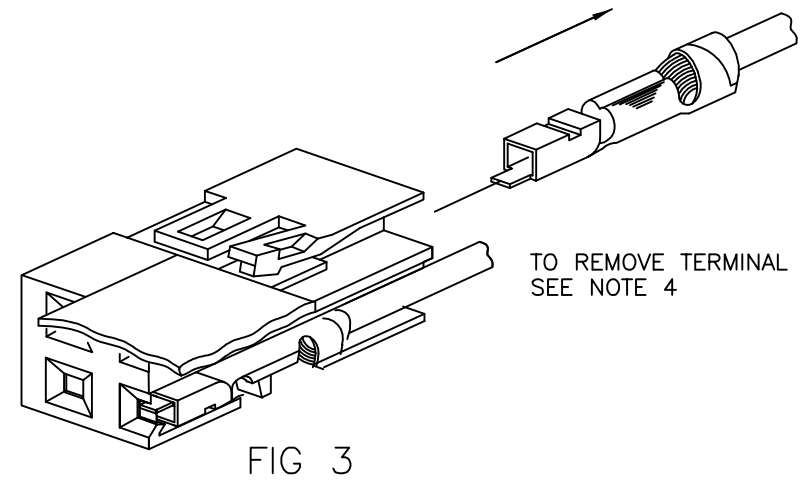
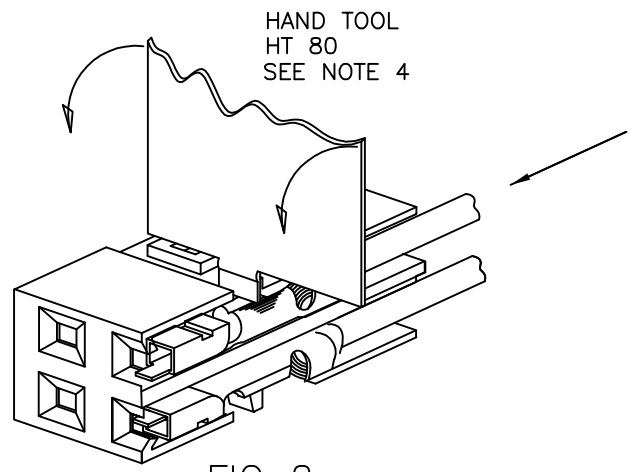
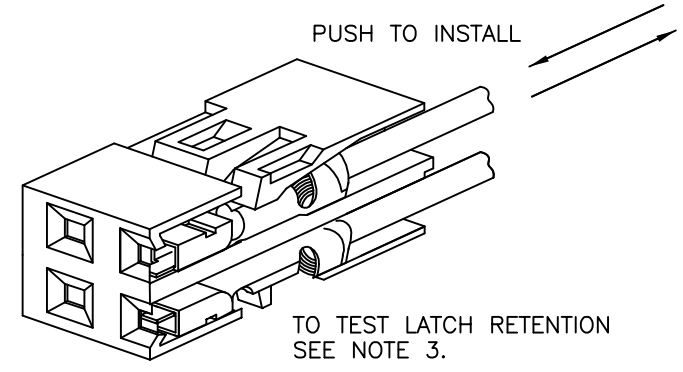
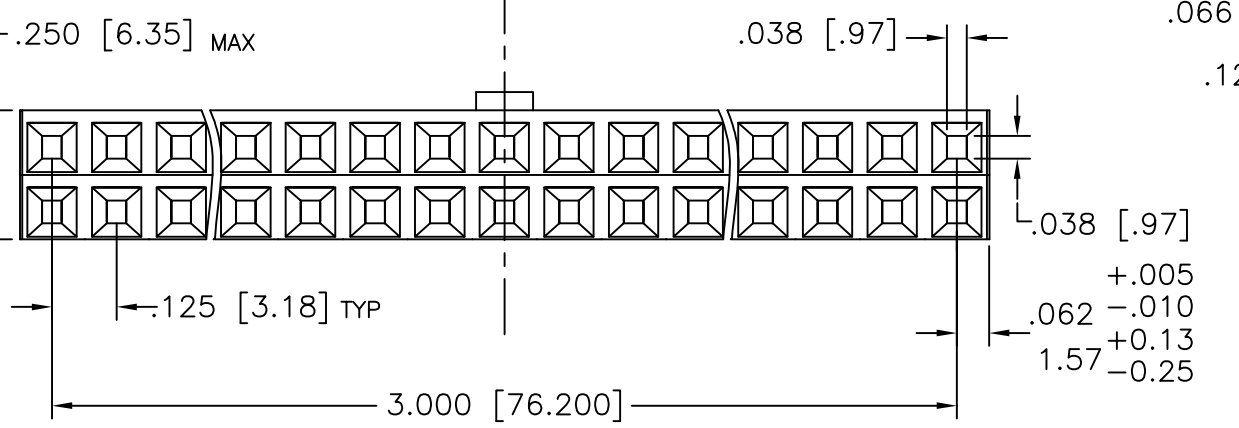
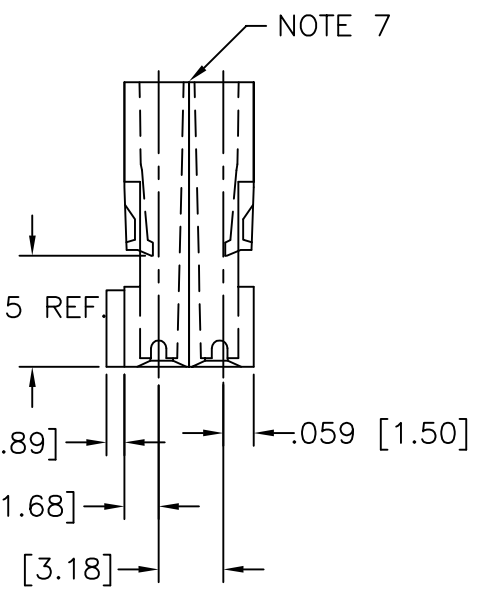
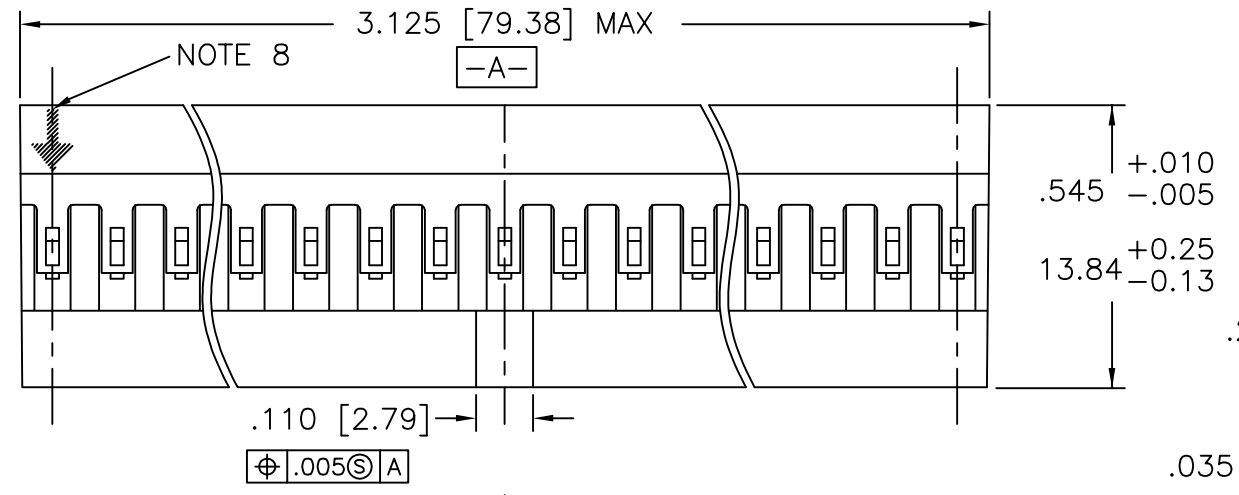


PRODUCT NO.
 10023290-025 — OBSOLETE
 10023290-025LF

NOTES:

- ① MOLDING MATERIAL—MODIFIED POLYPHENYLENE ETHER, COLOR: BLACK, MEETING UL-94V-0.
2. PIN LENGTH TO BE .210[5.33] MIN. RECOMMENDED PIN LENGTH IS .225±.015 [5.72 ±.38]
- ③ TO LATCH TERMINAL—PUSH AS SHOWN IN FIGURE #1, BE SURE THAT LATCH SNAPS DOWN.
- ④ TO REMOVE TERMINAL—PUSH TERMINAL FORWARD. LIFT LATCH WITH HANDTOOL AS SHOWN IN FIG.#2 & 3. DAMAGE TO LATCH CAN OCCUR IF LIFTED MORE THAN 25° ANGLE TO TOP OF HOUSING.
5. SEE MINI PV™ TERMINAL TA-75 FOR CORRECT CRIMP HEIGHT FOR EACH DIFFERENT WIRE SIZE. IF THIS SPECIFICATION IS NOT MET LATCHING WILL NOT BE SATISFACTORY. PRODUCT SPECIFICATION: BUS-12-067.
6. THIS HOUSING IS INTENDED FOR USE WITH FCI ELECTRONICS MINI PV™ TERMINAL AND FCI C.T.W. MALE PIN WITH 22-26 A.W.G. WIRE.
- ⑦ MOLDING IS PRIMARY MANUFACTURING METHOD, SOLVENT BONDING IS OPTIONAL.
- ⑧ ARROW MARKED ON HOUSING INDICATES POSITION #1.
9. PRODUCT MEETS EUROPEAN UNION DIRECTIVES AND OTHER COUNTRY REGULATIONS AS DESCRIBED IN GS-22-008.
10. THIS PRODUCT IS NOT INTENDED TO BE EXPOSED TO MANUFACTURING SOLDER PROCESSES.



mat'l. code SEE NOTE 1				surface ✓	tolerance	projection	product family PV HOUSINGS		
ltr	ecn no	dr	date	tolerances unless otherwise specified	angles	linear	INCH/MM	title	
A	V03-0376	HTB	2003-04-02					MINI LATCH HOUSING W/KEY	
B	V03-0453	HTB	2003-04-22					.125 [3.18] X .125 [3.18]	
C	V03-1363	PJ	2004-02-21	10°±2'				scale 2:1	
D	V05-0718	TAB	2005-07-20	dr	L. POTTEIGER	2003-03-20		dwg no	
E	V06-0407	HTB	2006-04-20	engr	H. SUNDY	2003-03-20		sheet 1 of 1 size	
F	V07-0534	HTB	2007-08-22	chr	H. SUNDY	2003-03-20		10023290 A3	
				appd	H. SUNDY	2003-03-20		type Product Customer Drawing	
sheet index	revision	F							
	sheet	1							



Copyright FCI

X-ON Electronics

Largest Supplier of Electrical and Electronic Components

Click to view similar products for [Headers & Wire Housings](#) category:

Click to view products by [Amphenol](#) manufacturer:

Other Similar products are found below :

[892-18-020-10-001101](#) [58102-G61-06LF](#) [582553-1](#) [0009485154](#) [009176003701906](#) [0050291907](#) [LY20-4P-DT1-P1E-BR](#) [02.125.8002.8](#)
[609-3404](#) [61062-3](#) [622-0430](#) [622-3653LF](#) [63453-116](#) [636-1030](#) [636-1427](#) [636-3427](#) [636-4007](#) [641938-9](#) [641991-4](#) [644827-2](#) [65817-010LF](#)
[65817-015LF](#) [65863-015LF](#) [66207-023LF](#) [67095-007LF](#) [67601157](#) [68648-049](#) [70.362.1628.0](#) [70-4210](#) [70-4226B](#) [70-4853B](#) [707-5020](#) [707-5028](#) [71.350.2428.0](#) [71918-208LF](#) [71961-016LF](#) [733-134](#) [733-162](#) [754199-000](#) [760-3052](#) [787-8014-00](#) [79531-3000](#) [FCN-360C032-B](#) [FCN-367T-T012/H](#) [FCN-723D010/2](#) [80.063.4001.1](#) [800-90-001-10-001000](#) [800-90-010-10-002000](#) [801-43-002-10-013000](#) [801-43-006-10-002000](#)