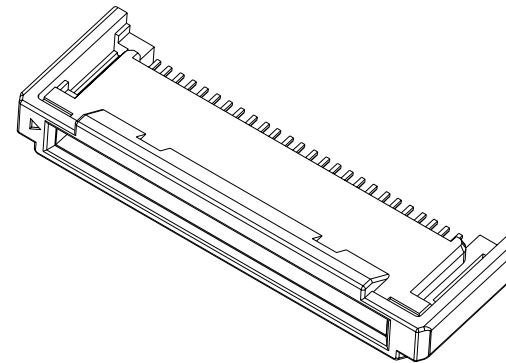
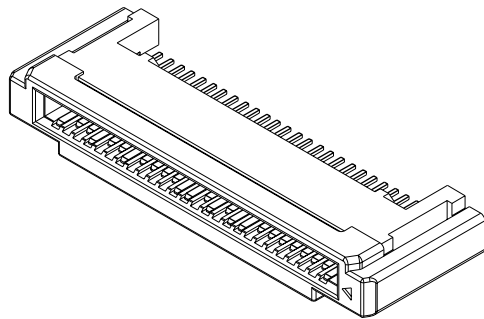
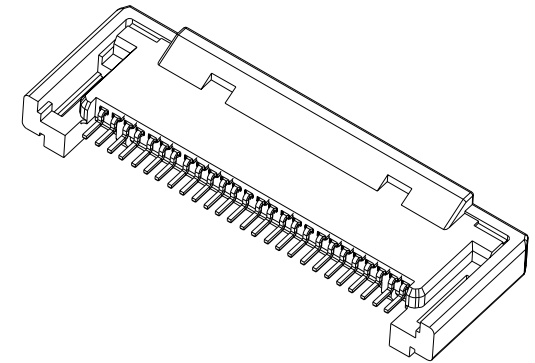
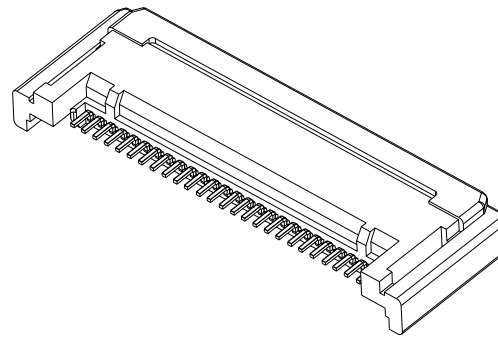


PRODUCT NUMBER	REMARK
10030570-1XXXLF	SEE NOTE 3
10030570-2XXXLF	SEE NOTE 3
10030570-3XXXLF	SEE NOTE 3
10030570-6XXXLF	SEE NOTE 3



NOTES:

- MATERIAL : HIGH TEMPERATURE THERMOPLASTIC, UL 94V-0 FLAME RETARDANT.
TERMINAL : COPPER ALLOY.
PLATING SPEC. AS BELOW :
Ni 50u" UNDER PLATED.
Au 30u" OVER CONTACT AREA. (ONE SIDE)
Matte Tin 120u" OVER SOLDERING AREA.
- PRODUCT PERFORMANCE PER SPEC. GS-12-292, "LF" MEANS LEAD FREE.
- PART NUMBER SCHEME :
10030570- X X X X LF

PACKAGING
2: TAPE AND REEL
3: TRAY

CONTACT PLATING
1: GOLD
2: GXT

PLASTIC COLOR
1: BLACK

SOLDER TAIL OFFSET
1: +0.00
2: +0.30
3: +0.60
6: +1.15

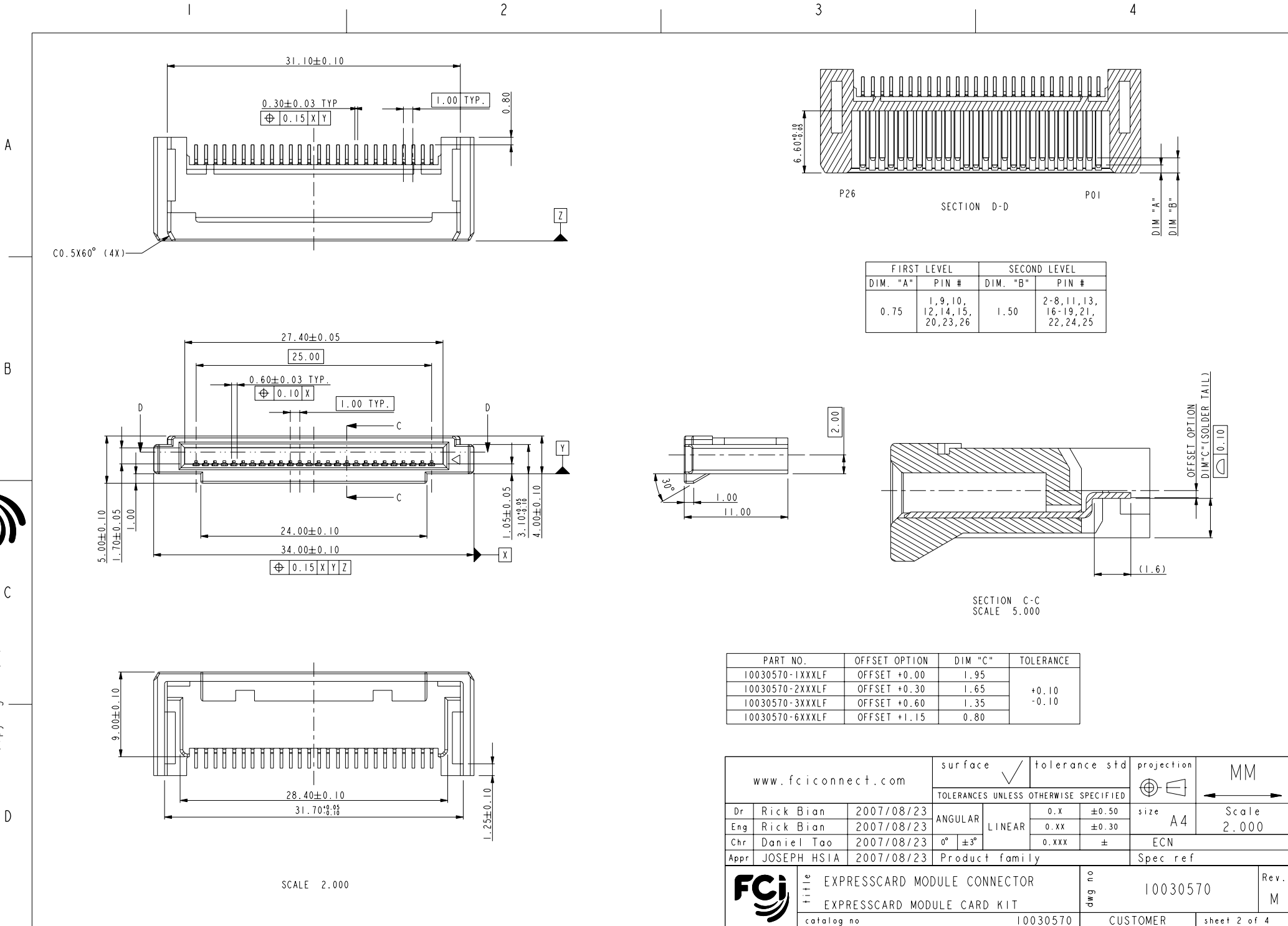
4. THIS PRODUCT IS RoHS COMPLIANT, AND MEETS EUROPEAN UNION DIRECTIVES AND OTHER COUNTRY REGULATIONS AS PER GS-22-008.

rev	ecn no	dr	date
H	T07-0062	H B	2007/03/08
J	N07-0164	MIAO	2007/07/16
K	N07-0181	MIAO	2007/08/08
L	N08-0025	R.B	2008/01/29
M	N10-0341	SH	10/08/2010
-	-	-	-
-	-	-	-

www.fciconnect.com			surface <input checked="" type="checkbox"/>	tolerance std	projection	MM
			TOLERANCES UNLESS OTHERWISE SPECIFIED			
Dr	Rick Bian	2007/08/23	ANGULAR	LINEAR	0.X	±0.50
Eng	Rick Bian	2007/08/23			0.XX	±0.30
Chr	Daniel Tao	2007/08/23	0°	±3°	0.XXX	±
Appr	JOSEPH HSIA	2007/08/23	Product family		Spec ref	
FCI			title		dwg no	Rev.
			EXPRESSCARD MODULE CONNECTOR		10030570	M
			EXPRESSCARD MODULE CARD KIT			
			catalog no	10030570	CUSTOMER	sheet 1 of 4



Copyright FCI.



FIRST LEVEL		SECOND LEVEL	
DIM. "A"	PIN #	DIM. "B"	PIN #
0.75	1, 9, 10, 12, 14, 15, 20, 23, 26	1.50	2-8, 11, 13, 16-19, 21, 22, 24, 25

PART NO.	OFFSET OPTION	DIM "C"	TOLERANCE
10030570-1XXXLF	OFFSET +0.00	1.95	+0.10 -0.10
10030570-2XXXLF	OFFSET +0.30	1.65	
10030570-3XXXLF	OFFSET +0.60	1.35	
10030570-6XXXLF	OFFSET +1.15	0.80	

www.fciconnect.com			surface <input checked="" type="checkbox"/>	tolerance std	projection	MM
TOLERANCES UNLESS OTHERWISE SPECIFIED						
Dr	Rick Bian	2007/08/23	ANGULAR	LINEAR	size A4	Scale 2.000
Eng	Rick Bian	2007/08/23				
Chr	Daniel Tao	2007/08/23				
Appr	JOSEPH HSIA	2007/08/23	0°	±3°	ECN	
Product family						Spec ref

FCI	title	EXPRESSCARD MODULE CONNECTOR	dwg no	10030570	Rev.	M
		EXPRESSCARD MODULE CARD KIT				
	catalog no	10030570	CUSTOMER	sheet 2 of 4		

REV F - 2006-04-11



Copyright FCI.

A

B

C

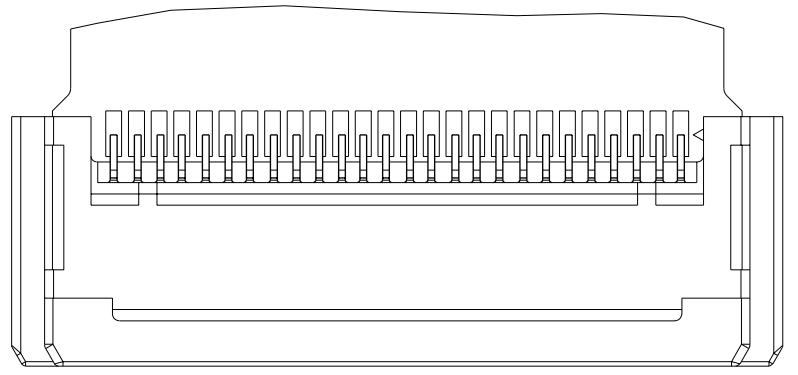
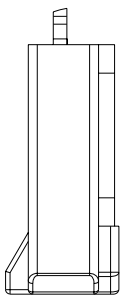
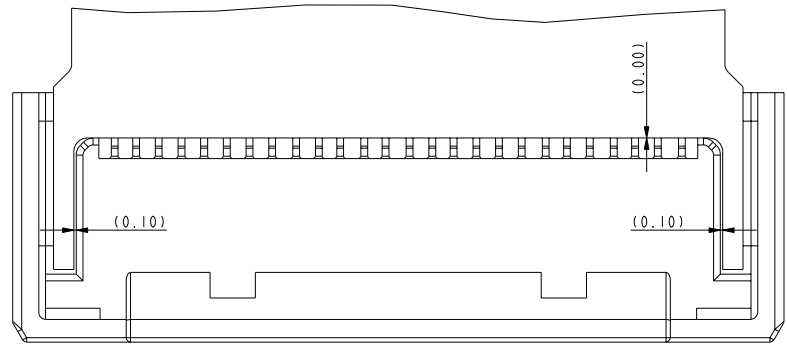
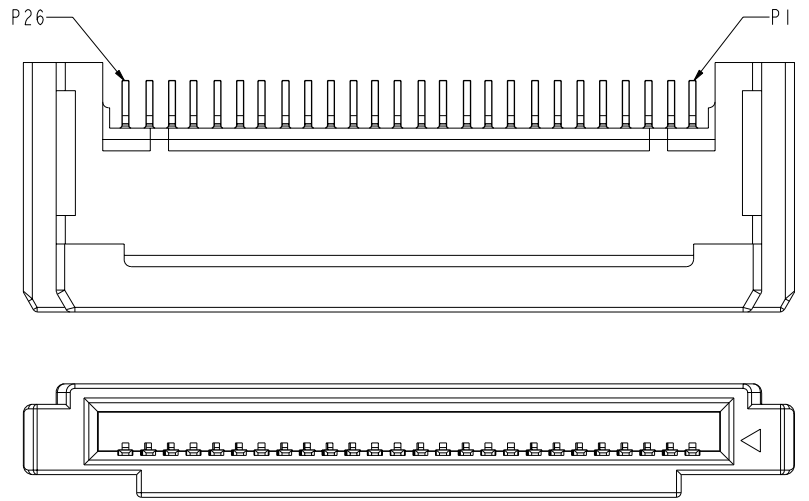
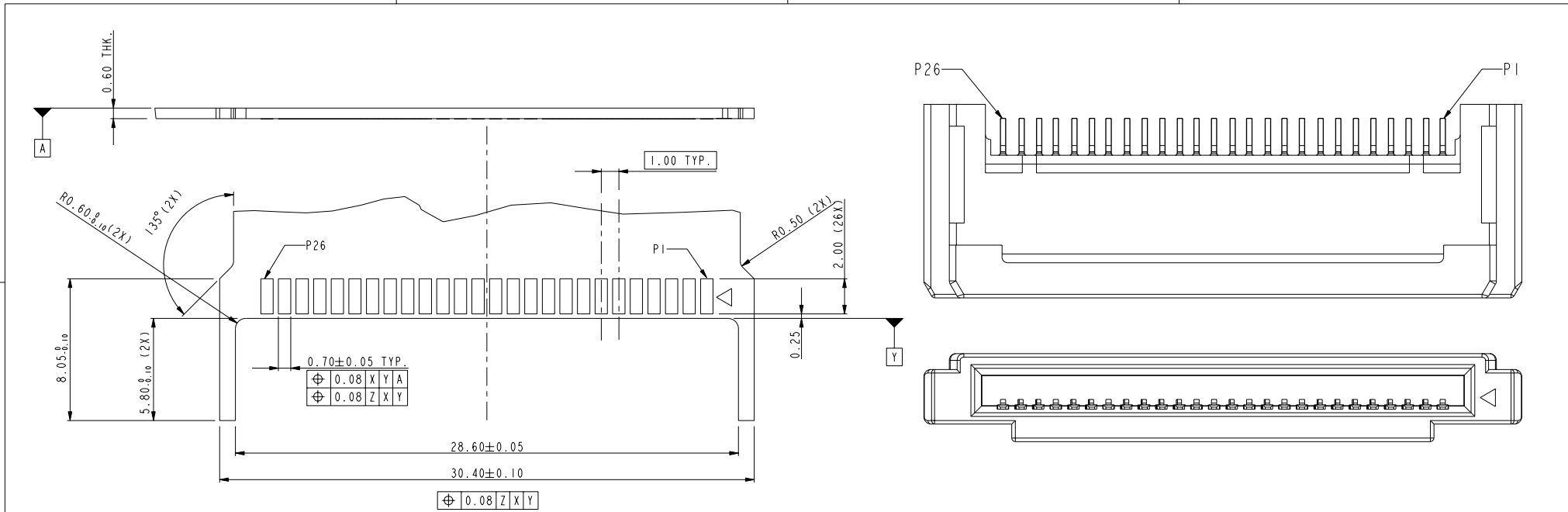
D

A

B

C

D

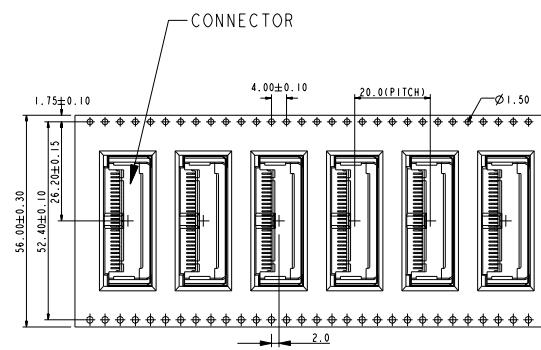
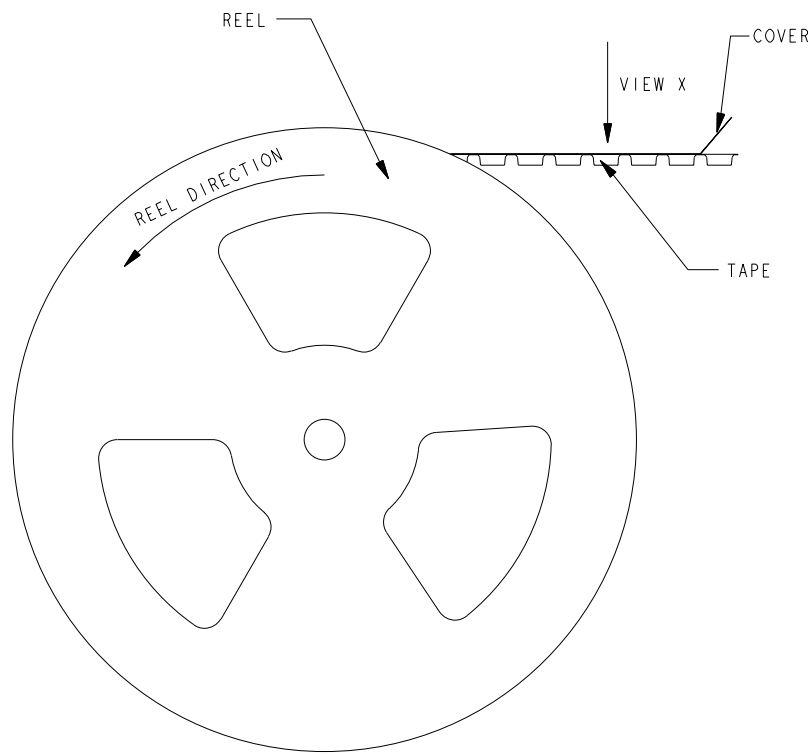
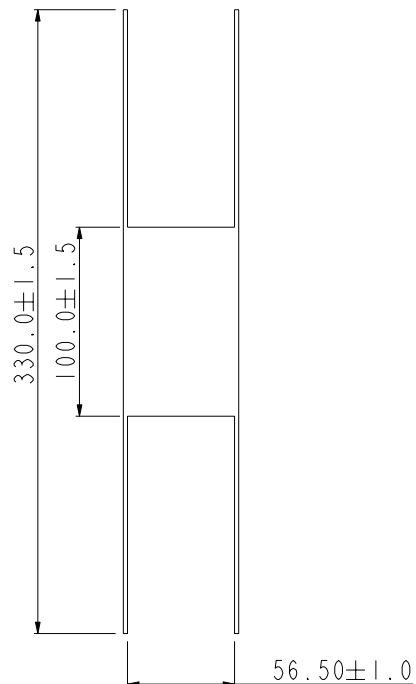


PCB ASSEMBLY REFERENCE

www.fciconnect.com			surface <input checked="" type="checkbox"/>	tolerance std	projection	MM
			TOLERANCES UNLESS OTHERWISE SPECIFIED		←→	
Dr	Rick Bian	2007/08/23	ANGULAR	LINEAR	0.X	±0.50
Eng	Rick Bian	2007/08/23			0.XX	±0.30
Chr	Daniel Tao	2007/08/23	0°	±3°	0.XXX	±
Appr	JOSEPH HSIA	2007/08/23	Product family			Spec ref
FCI		title EXPRESSCARD MODULE CONNECTOR		dwg no 10030570		Rev. M
		EXPRESSCARD MODULE CARD KIT		CUSTOMER		sheet 3 of 4
		catalog no 10030570				



Copyright FCI.



VIEW X, SCALE 2:1

www.fciconnect.com			surface	<input checked="" type="checkbox"/>	tolerance std	projection	MM	
			TOLERANCES UNLESS OTHERWISE SPECIFIED					
Dr	Rick Bian	2007/08/23	ANGULAR	LINEAR	0.X	±0.50	size A4	Scale 1.000
Eng	Rick Bian	2007/08/23			0.XX	±0.30		
Chr	Daniel Tao	2007/08/23	0°	±3°	0.XXX	±	ECN	
Appr	JOSEPH HSIA	2007/08/23	Product family				Spec ref	
			title EXPRESSCARD MODULE CONNECTOR			dwg no 10030570		Rev. M
			catalog no 10030570			CUSTOMER		sheet 4 of 4

REV F - 2006-04-17

X-ON Electronics

Largest Supplier of Electrical and Electronic Components

Click to view similar products for [Amphenol](#) manufacturer:

Other Similar products are found below :

[PT01SE-16-8P\(027\)](#) [PT01SE-16-8P\(476\)](#) [CTV06RW-11-2JB-LC](#) [97-3108A-22-14P](#) [10-474017-10P](#) [MS27473P14B18S](#) [TV06RW-25-90AE](#)
[PT02E10-2PW](#) [PT02E10-2PX](#) [97-3106A18-3PX-958](#) [97-3106A18-3PY-958](#) [TV06RL-13-35AD](#) [TV06RL-13-98BD](#) [TV06RW-25-46AE](#)
[TV06RL-13-35SD-LC](#) [TV06RL-13-35SD](#) [TV06RL-13-98SD-LC](#) [TV06RL-13-98SD](#) [TVP00RW-23-53AD](#) [PT02E10-2PW-025](#) [100-007-213-](#)
[002-001](#) [2M805-002-16NF23-12PA](#) [97-3108B16S-5PW-417](#) [97-3108B16S-5PY-417](#) [CS-DSDMDB37MF-025](#) [97-3108B16S-5PZ-417](#)
[PT06SE2041P](#) [CF-5A9013-04N](#) [CF-6A4615-06N](#) [GTC02R32-17S-025-RDS-LC](#) [GTC02R32-17S-025-LC](#) [PT06SE-24-61P\(LC\)](#) [SP28W1F](#)
[TV07DT-25-37P](#) [TV07DT-25-37JN-LC](#) [TV07DT-25-37S](#) [TV07DT-25-37S-LC](#) [TV07DT-25-46P-LC](#) [97-3101A20-21P-958](#) [TV07DT-25-](#)
[90P-LC](#) [TV07DT-25-46A](#) [TV07DT-25-37P-LC](#) [GTS08-36-22PZ-025-B30](#) [PT00SP2241P](#) [LJT06RT-15-35PB\(023\)](#) [TV06RW-23-53AB](#)
[LJT06RT-15-68PB-023](#) [97-3106A-22-9S\(621\)](#) [PT06A14-4S-005](#) [TVS07RF-15-19BB](#)