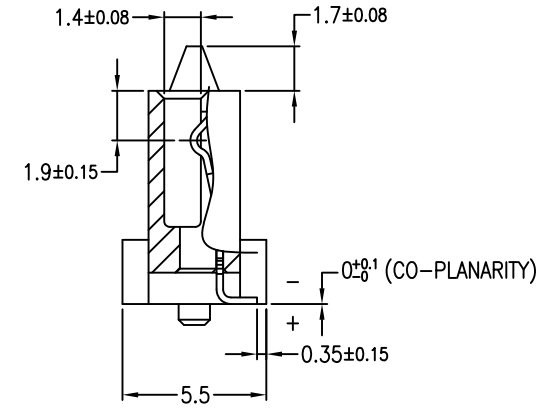
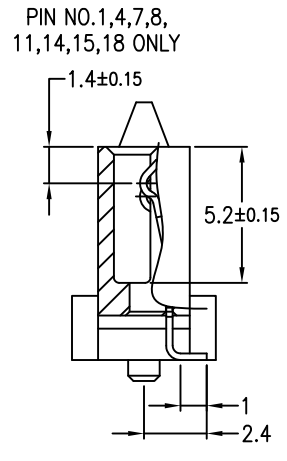
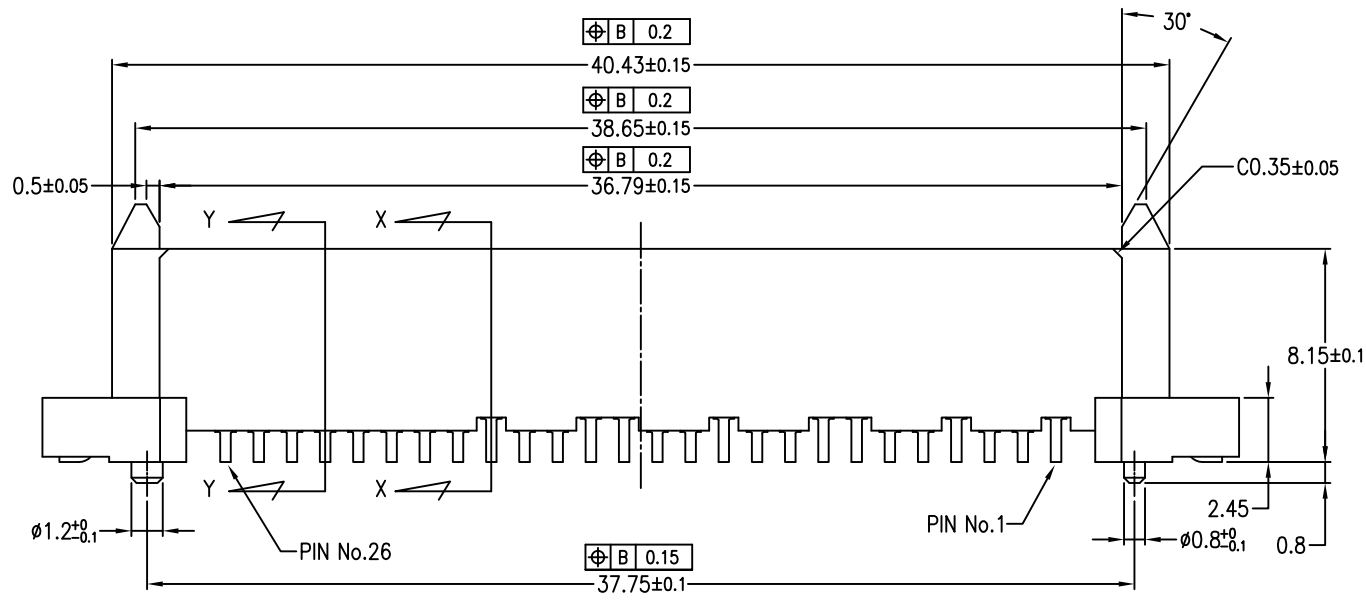
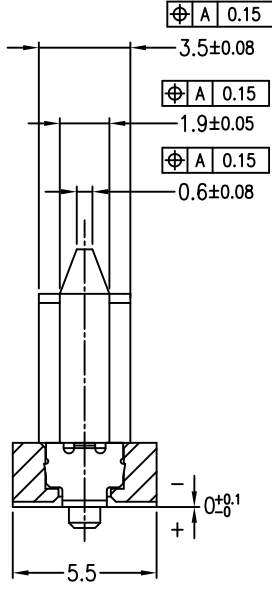
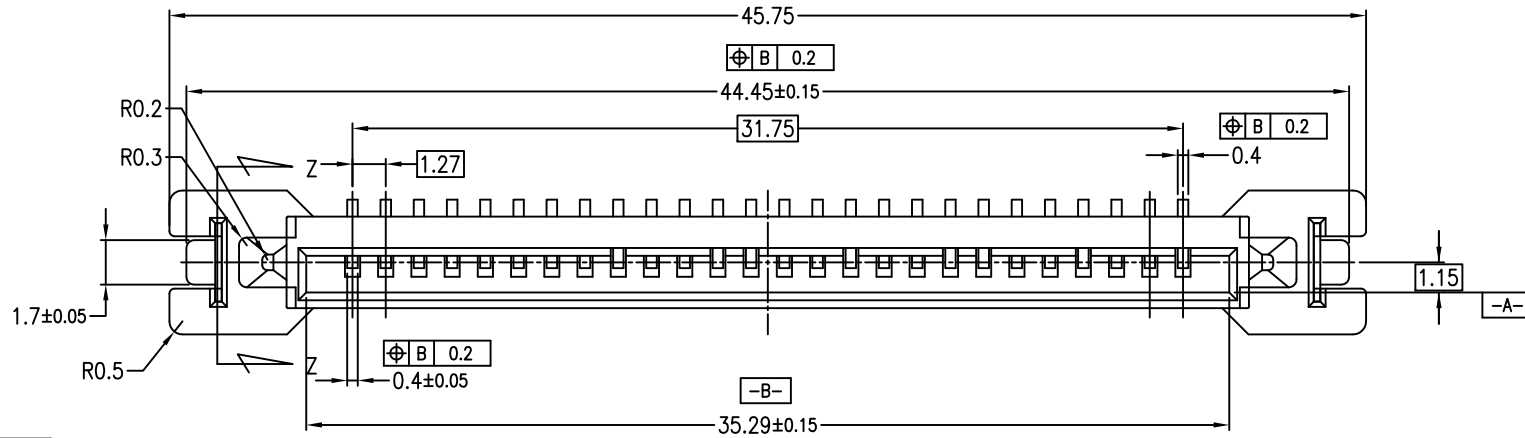


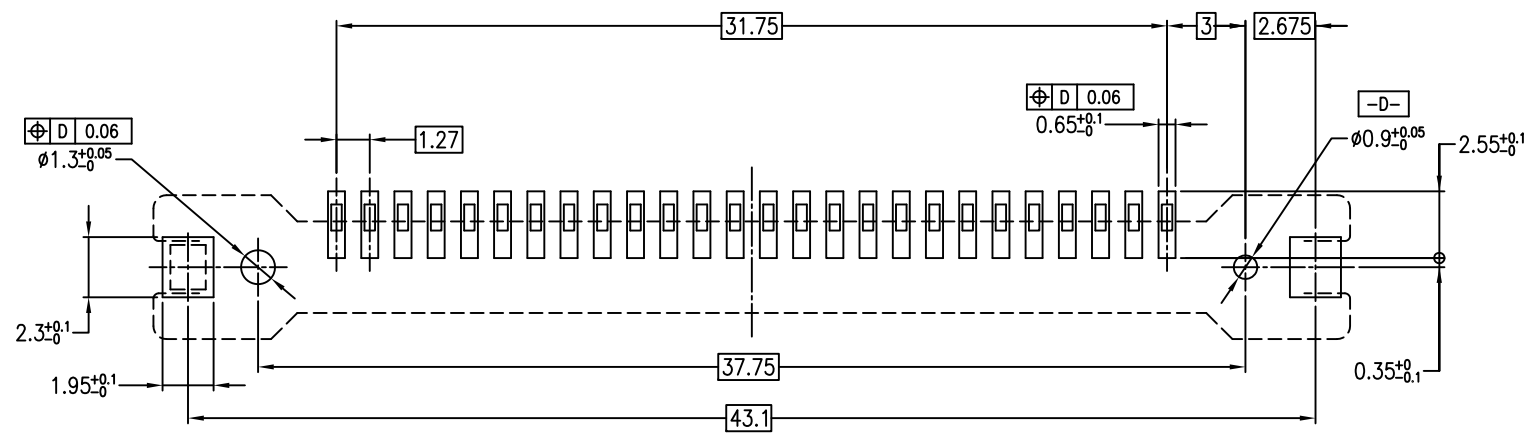
PRODUCT NO.
10034273-001LF



SECT.Z-Z

SECT.X-X

SECT.Y-Y

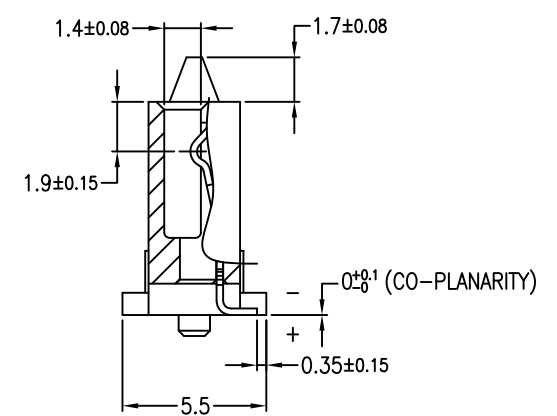
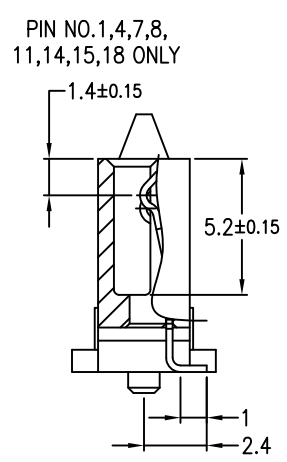
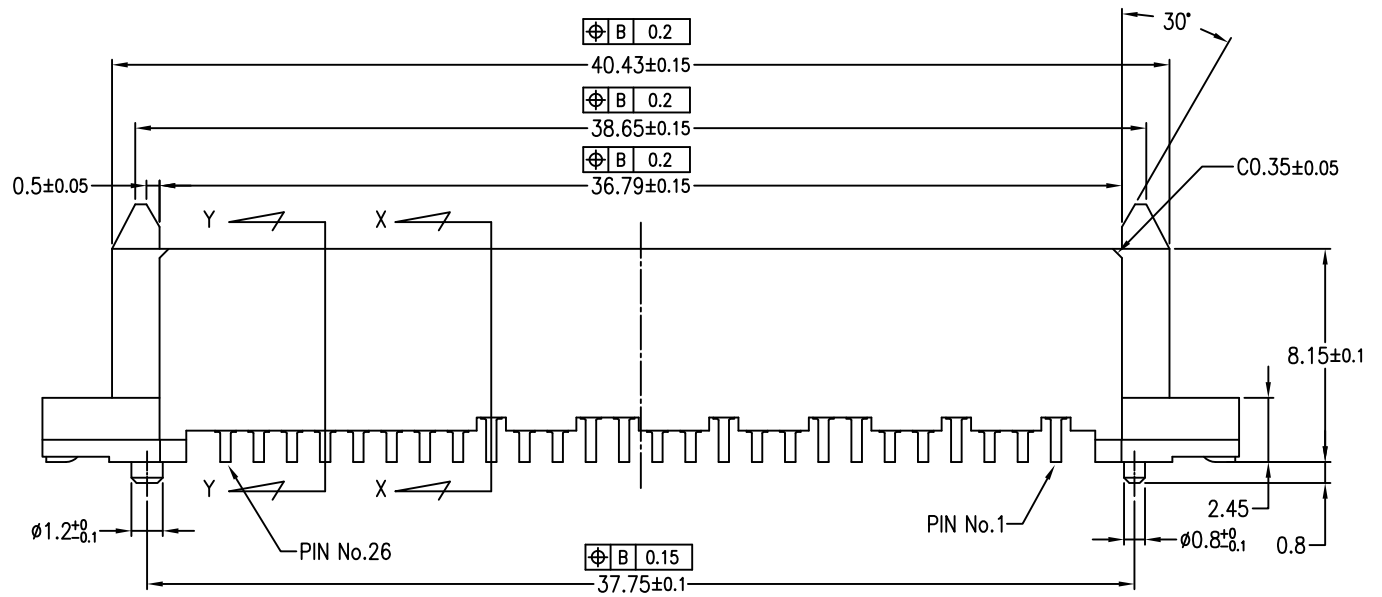
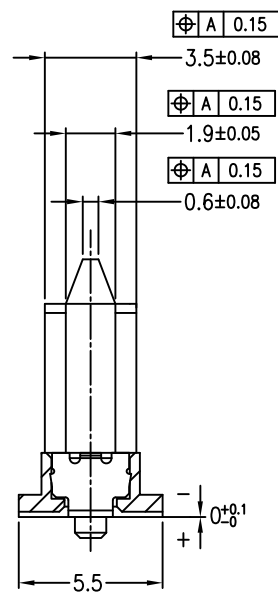
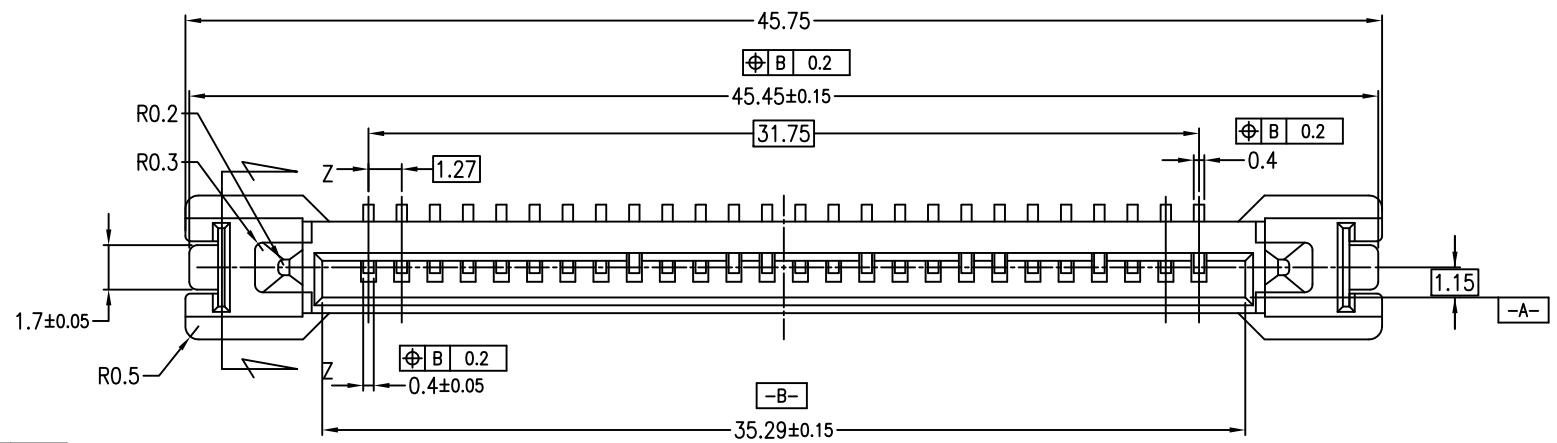


RECOMMENDED MOUNTING LAYOUT
TOLERANCE UNLESS OTHERWISE:±0.1

NOTE
1.MATERIAL
1) HOUSING : HIGH TEMPERATURE THERMOPLASTIC,BLACK, UL94V-0
2) TERMINAL : COPPER ALLOY
2.FINISH
1) TERMINAL : ALL OVER Ni 1.27μm MIN.
CONTACT POINT Au PLATING 0.3μm MIN.
SOLDER TAIL SEE TABLE
3.RoHS
THIS PRODUCT MEETS EUROPEAN UNION DIRECTIVES AND OTHER
COUNTRY REGULATIONSAS DESCRIBED IN GS-22-008

mat'l. code		surface		tolerance		projection		product family		CODE	
---		ISO 1302		ISO 406 ISO 1101		MM		55SF Removable HDD		JP	
ltr		description		ecn no		dr		date		title	
A		RELEASED		J05-0383		Y.K		6/23/05		ASSEMBLY	
B		Change of P/N		J07-0464		Y.K		2007-9-13		S-iVDR COMB RECE.	
C		REVISED		J10-0361		Y.K		2010-12-17		SMT VERT TYPE	
D		REVISED		EX-J-012831		Y.K		2012-09-13		dwg no	
						enr		Y.KAMEDA		6/23/05	
						chr		Y.KAMEDA		2012-09-13	
						appd		Y.KAMEDA		2012-09-13	
sheet		revision		D		D				sheet 1 of 2 size	
index		sheet		1		2				5	
										A2	
										10034273	
										type	
										Product Customer Drawing	
										Rev.	
										D	

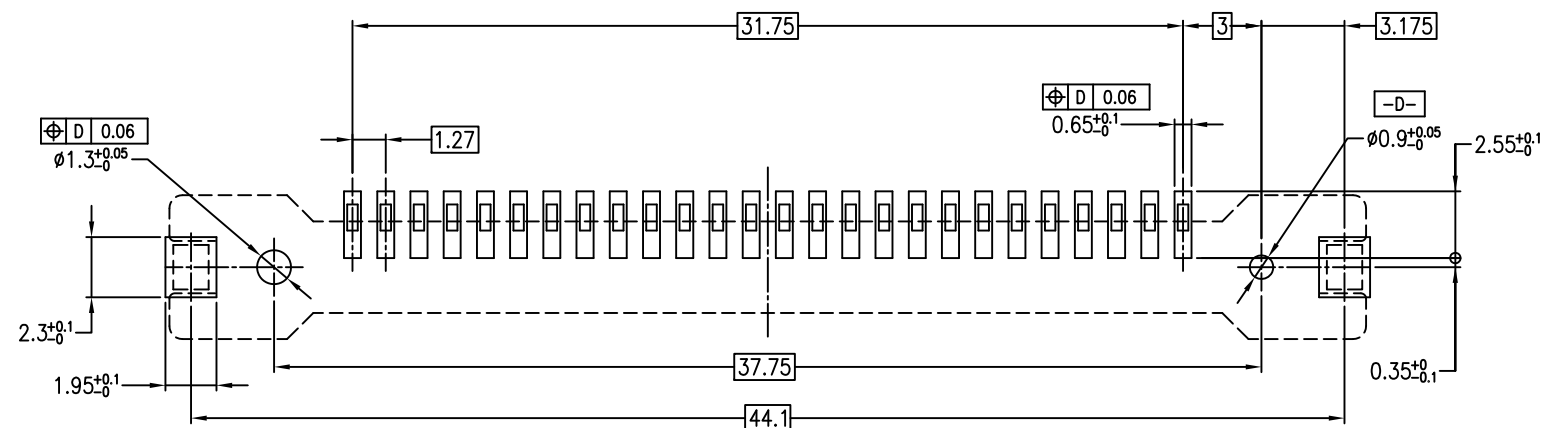
PRODUCT NO.
10034273-002LF



SECT.Z-Z

SECT.X-X

SECT.Y-Y



RECOMMENDED MOUNTING LAYOUT
TOLERANCE UNLESS OTHERWISE:±0.1

NOTE
 1.THIS PRODUCT MEETS THE iVDR-HWSPEC (2.5-inch, 1.8-inch Serial type)
 2.MATERIAL
 1) HOUSING : HIGH TEMPERATURE THERMOPLASTIC,BLACK, UL94V-0
 2) TERMINAL : COPPER ALLOY
 3.FINISH
 1) TERMINAL : ALL OVER Ni 1.27μm MIN.
 CONTACT POINT Au PLATING 0.3μm MIN.
 SOLDER TAIL SEE TABLE
 4.RoHS
 THIS PRODUCT MEETS EUROPEAN UNION DIRECTIVES AND OTHER
 COUNTRY REGULATIONSAS DESCRIBED IN GS-22-008

mat'l. code		surface		tolerance		projection		product family		CODE	
---		ISO 1302		ISO 406		MM		55SF Removable HDD		JP	
ltr		description		ecn no		dr		date		title	
C		RELEASED		J10-0361		Y.K		2010-12-17		ASSEMBLY	
D		REVISED		EX-J-012831		Y.K		2012-09-13		S-iVDR COMB RECE. SMT VERT TYPE	
dr		Y.KAMEDA		2010-12-17		engr		Y.KAMEDA		2010-12-17	
chr		H.SUZUKI		2012-09-13		appd		M.KAJIURA		2012-09-13	
sheet		revision		sheet		sheet		sheet		sheet	
index		sheet		sheet		sheet		sheet		sheet	
										sheet 2 of 2 size	
										10034273	
										A2	
										type	
										Product Customer Drawing	
										Rev.	
										D	

FCI
FCIconnect.com
Copyright FCI

X-ON Electronics

Largest Supplier of Electrical and Electronic Components

Click to view similar products for [I/O Connectors](#) category:

Click to view products by [Amphenol](#) manufacturer:

Other Similar products are found below :

[571763P](#) [58098-0628](#) [72.250.1628.2](#) [72.250.2428.2](#) [74720-0505](#) [76.350.0729.0](#) [76871-1403](#) [FCN-244F080-G/1](#) [FCN-260A9920](#) [PCR-E36PM](#) [PCS-XE26MA+](#) [G38A71314B](#) [1571250010](#) [157-22500-3](#) [MS3471L14-19P L/C](#) [192991-0703](#) [172501-4002](#) [172501-6002](#) [FCN-260C008-A/L0](#) [FCN-260C024-AL0](#) [FCN-261Z008](#) [2000314-1](#) [200331-1](#) [PCR-E36FC+](#) [PCS-E28FS+](#) [PCS-XE26SLFD+](#) [PCS-XE26SLFDT+](#) [G730VID08BDC24](#) [HDR-E14MSG1+](#) [U90B2054081210](#) [UE86K842720321](#) [38113800006](#) [DP3AR020WQ1R200](#) [Z4.102.0680.0](#) [500-1040](#) [500-1052](#) [500-1054](#) [ZP-4008-66L](#) [0709821002](#) [DX40-20P\(55\)](#) [5554841-1](#) [MS3474W18-8P-LC*](#) [SM3106F14S-7S-LC](#) [U90B3054061110](#) [U65-E04-4020](#) [ZPF000000000097891](#) [557-262M2-06C](#) [747360449](#) [10099439-003C-TRLF](#) [10137239-0021LF](#)