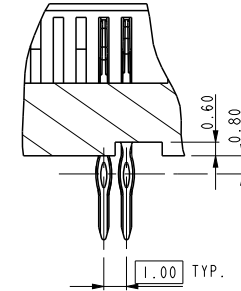
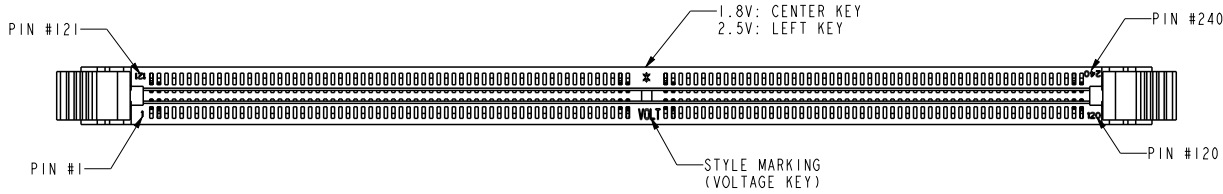


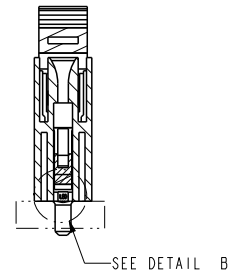
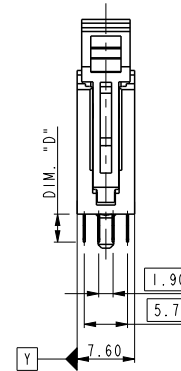
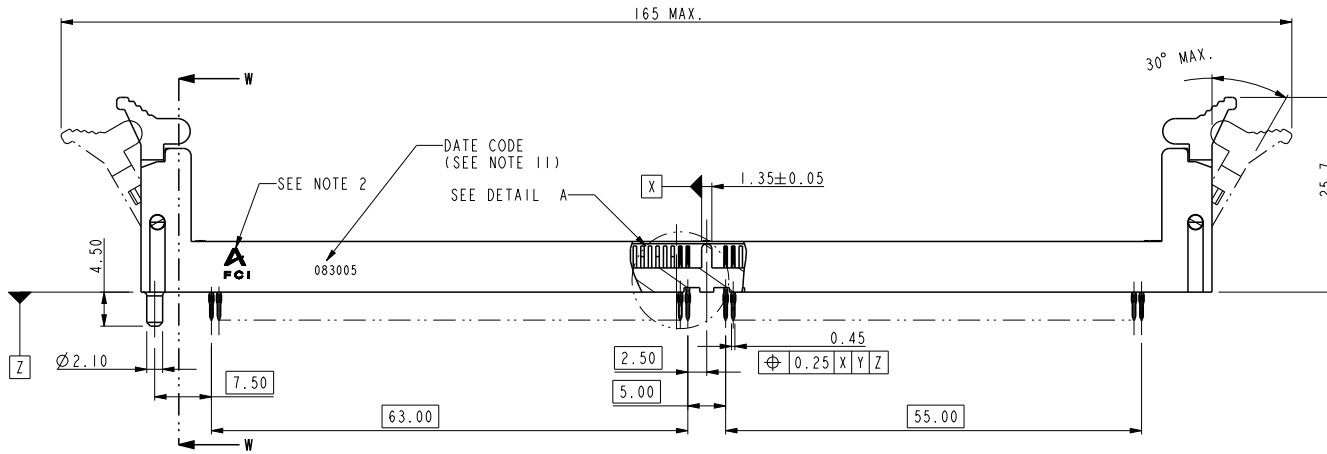
10034542-XXXXXX



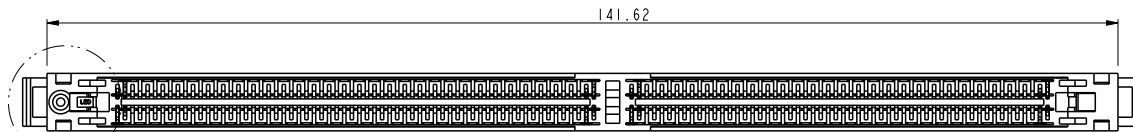
rev	ecn no	dr	date
N	DG07-0306	CS	2007-07-27
P	DG07-0416	CS	2007-10-22
R	DG-15684-1	ERIC	2013-11-08



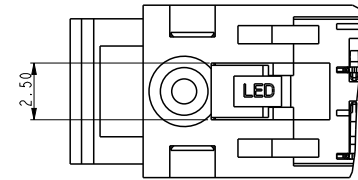
DETAIL A
SCALE 3.000



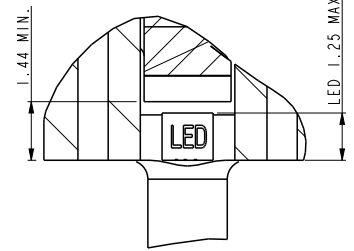
SECTION W-W
SCALE 1.000



SEE DETAIL C



DETAIL C
SCALE 3.000



DETAIL B
SCALE 5.000

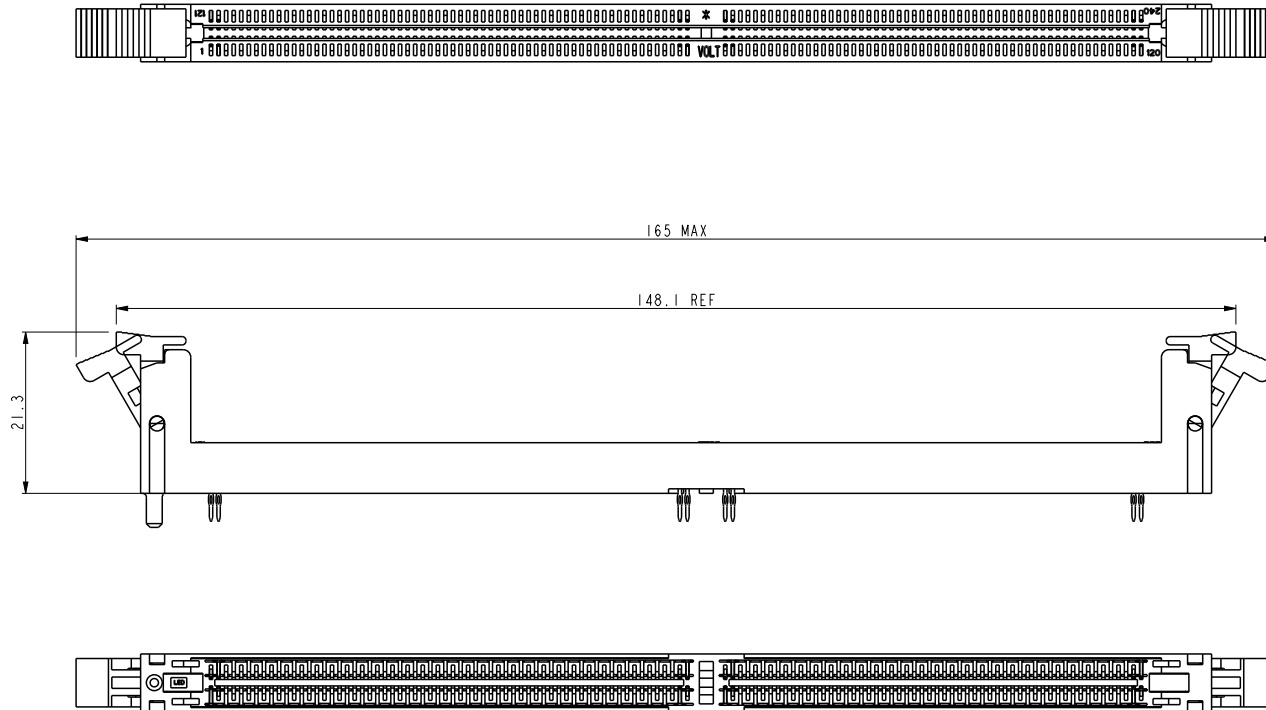
spec ref	*	dr	Rick Bian	2010/07/03	projection	MM	size	A4	scale	0.500
tolerance std	TOLERANCES UNLESS OTHERWISE SPECIFIED	eng	Eric Jiang	2013/11/25			ecn no	ELX-DG-15684-1		
ASME Y14.5		chr	Tian-Xu Huang	2013/11/25				rel level	Released	
surface		linear	0.X	±0.38					title	DDR 11 240P PRESS-FIT
ASME Y14.5	angular	0.XX	±0.25	www.fci.com	cat. no.	*		product family		Product - Customer Drw
		0.XXX	±0.13				dwg no		10034542	
		0°	±2°					rev	R	
sheet 1 of 5										

ProjE File - REV C - 2009-06-09



Copyright FCI.

10034542-XXXXXCXX

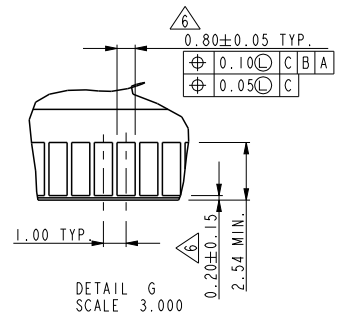
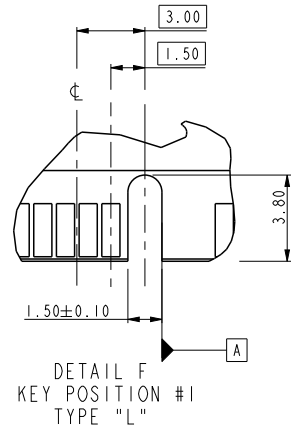
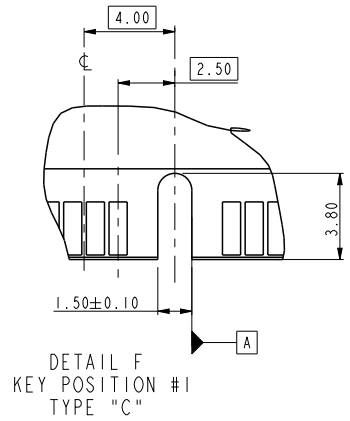
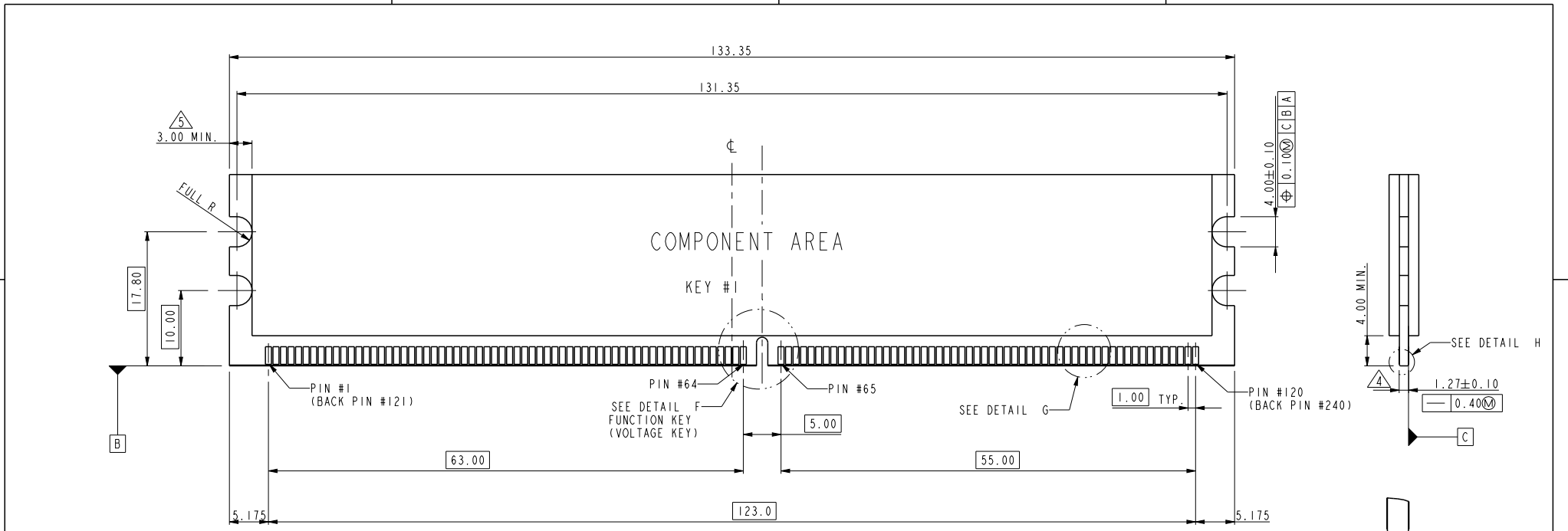


ALL DIMENSIONS ARE SAME TO PAGE 1 EXCEPT MARKED IN THE ABOVE

spec ref *		dr Rick Bian		2010/07/03		projection 	MM ←→	size	A4	scale	0.500
tolerance std		eng Eric Jiang		2013/11/25				ecn no		ELX-DG-15684-1	
ASME Y14.5		chr Tian-Xu Huang		2013/11/25				rel level		Released	
surface ✓	linear	0.X	±0.38		title	DDR II 240P PRESS-FIT	dwg no	10034542	rev	R	
		0.XX	±0.25								
		0.XXX	±0.13								
ASME Y14.5	angular	0°	±2°	www.fci.com	cat. no.	*	Product - Customer Drw		sheet 2 of 5		



Copyright FCI.



NOTE:
 1. MATERIAL : FR-4.
 2. FINISH: SOLDER MASK.
 3. BURR: 0.08 MAX.

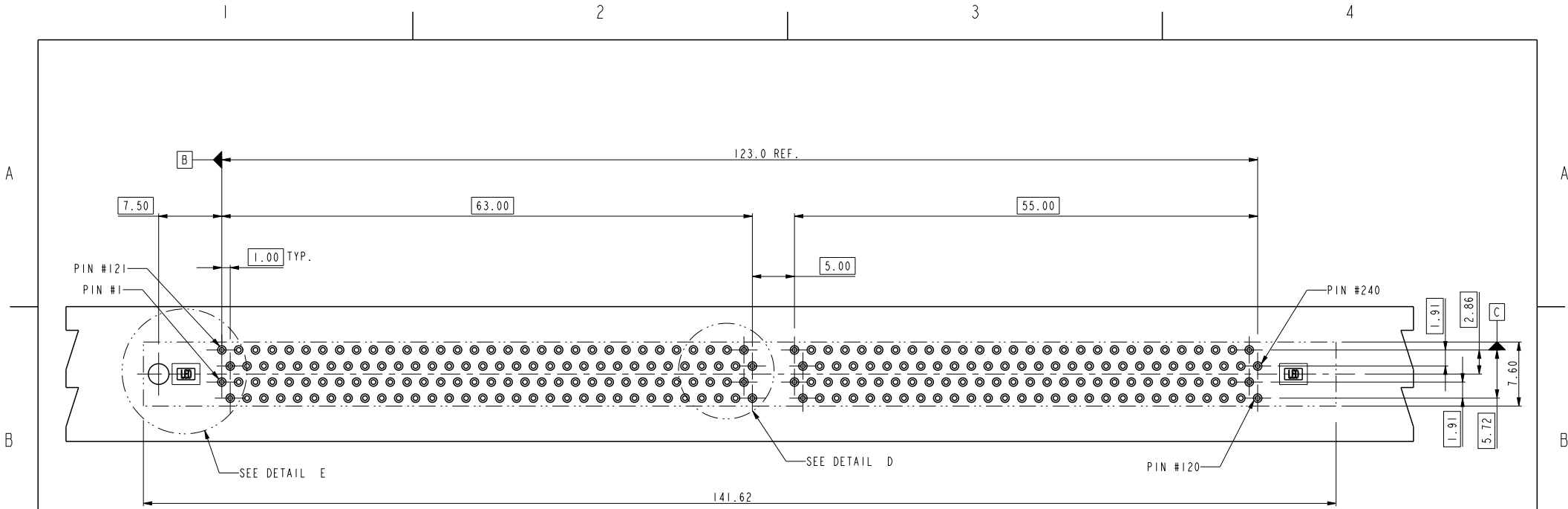
SUB KEY POS #1	DESCRIPTION
TYPE "L"	2.5 VOLTAGE
TYPE "C"	1.8 VOLTAGE

spec ref	*	dr	Rick Bian	2010/07/03	projection	MM	size	A4	scale	0.500	
tolerance std	ASME Y14.5	eng	Eric Jiang	2013/11/25			ecn no	ELX-DG-15684-1			
TOLERANCES UNLESS OTHERWISE SPECIFIED		chr	Tian-Xu Huang	2013/11/25				rel level	Released		
surface	linear	appr	Pei-Ming Zheng	2013/11/25	product family		rev	R			
	angular										
ASME Y14.5	0.X	±0.38		title	DDR II 240P PRESS-FIT	dwg no	10034542	sheet 3 of 5	Product - Customer Drw		
	0.XX	±0.25							cat. no.	*	Product - Customer Drw
	0.XXX	±0.13									
	0°	±2°	www.fci.com								

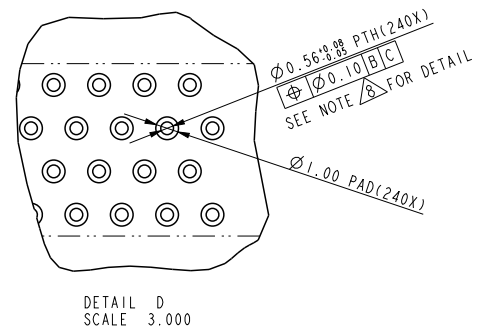
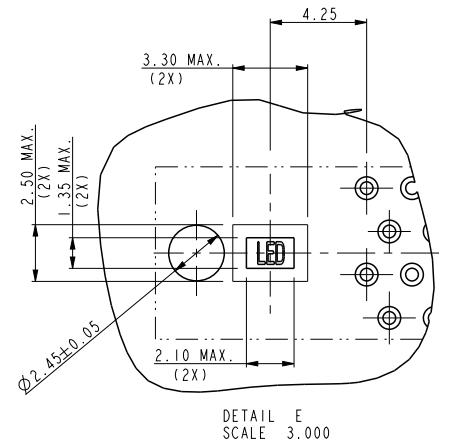
PrdE File - REV C - 2009-06-09



Copyright FCI.



RECOMMEND CIRCUIT BOARD HOLE LAYOUT



spec ref	*	dr	Rick Bian	2010/07/03	projection	MM	size	A4	scale	0.500			
tolerance std	TOLERANCES UNLESS OTHERWISE SPECIFIED	eng	Eric Jiang	2013/11/25				ecn no	ELX-DG-15684-1				
ASME Y14.5		chr	Tian-Xu Huang	2013/11/25				rel level	Released				
surface		appr	Pei-Ming Zheng	2013/11/25		product family							
ASME Y14.5	linear	0.X	± 0.38		title	DDR II 240P PRESS-FIT	dwg no	10034542	rev	R			
		0.XX	± 0.25							cat. no.	*	Product - Customer Drw	sheet 4 of 5
	angular	0°	$\pm 2^\circ$										

PrdE File - REV C - 2009-06-09

10034542-□ □ □ □ □ □ □ □



STYLE: MECHAMICAL KEYING
 1 : 1.8 VOLT. W/CENTER KEY #1
 2 : 2.5 VOLT. W/LEFT KEY #1

REVISE
 0

TAIL LENGTH

CODE	DIM. "D"
0	3.30
1	3.70
2	4.20

FOR ROHS OPTION:
 BLANK: TIN LEAD
 LF: LEAD FREE

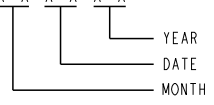
FOR LATCH TYPE OPTION:
 BLANK: TALL LATCH
 C: SHORT LATCH

CODE	CONTACT	TAIL AREA	UNDERPLATE	CODE	CONTACT	TAIL AREA	UNDERPLATE
2	15u"(0.38um) MIN. GOLD	35u"-100u" Tin PLATING	50u"(1.27um) MIN. NICKEL OVERALL	2B	15u"(0.38um) MIN. GOLD	35u"-100u" Tin/Lead PLATING	50u"(1.27um) MIN. NICKEL OVERALL
3	30u"(0.76um) MIN. GOLD			3B	30u"(0.76um) MIN. GOLD		
4	3u"(0.076um) MIN. GOLD			4B	3u"(0.076um) MIN. GOLD		
6	15u"(0.38um) MIN. GOLD (LUBRICATED)			6B	15u"(0.38um) MIN. GOLD (LUBRICATED)		
7	30u"(0.76um) MIN. GOLD (LUBRICATED)	35u"-100u" Tin PLATING	50u"(1.27um) MIN. NICKEL OVERALL	7B	30u"(0.76um) MIN. GOLD (LUBRICATED)	35u"-100u" Tin/Lead PLATING	50u"(1.27um) MIN. NICKEL OVERALL
8	3u"(0.076um) MIN. GOLD (LUBRICATED)			8B	3u"(0.076um) MIN. GOLD (LUBRICATED)		

NOTE:

- MATERIAL:
 HOUSING: HIGH PERFORMANCE RESINS, GLASS FILLED UL94V-0 RATED, COLOR: BLACK.
 EJECTOR: HIGH PERFORMANCE RESINS, GLASS FILLED UL94V-0 RATED, COLOR: NATURAL.
 TERMINAL: COPPER ALLOY.
- FCI LOGO TO BE APPROXIMATELY LOCATED AS SHOWN ON PRINT.
- PRODUCT SPECIFICATION: GS-12-273
- CARD THICKNESS APPLIES ACROSS TABS AND INCLUDES PLATING AND / OR METALIZATION.
- 3.00mm MINIMUM APPLIES TO BOTH 4.00mm WIDE NOTCH LENGTH AND COMPONENT KEEPOUT AREA.
- LEADING EDGE OF CONTACT PADS SPECIFIED BY THE KEEP OUT ZONE SHALL BE FREE OF BURRS AND EXTERNAL TIE BARS.
 FOR OPTIMUM PERFORMANCE, THE TIE BAR IS TO BE ON AN INTERNAL LAYER SO THAT THE REMNANT CANNOT CAUSE CONTACT DAMAGE.
- PACKAGING SPECIFICATION: GS-14-528.
- ALL PTH SHOULD BE 0.66mm DIA DRILLED AND 0.025mm MIN. ELECTRO-DEPOSITED COPPER THK ON THROUGH HOLE WALL.
- THIS PRODUCT MEETS EUROPEAN UNION DIRECTIVES AND OTHER COUNTRY REGULATIONS AS DESCRIBED IN GS-22-008.
- THE HOUSING WILL WITHSTAND EXPOSURE TO 260° PEAK TEMPERATURE FOR 20 SECONDS IN A IR REFLOW OVEN.

DATE CODE: X X X X X X



COLOR OF HOUSING AN EJECTOR

- 0 : BLACK HOUSING + IVORY EJECTOR
- 1 : BLACK HOUSING + AMBER EJECTOR
- 2 : BLACK HOUSING + BLACK EJECTOR
- 3 : BLUE HOUSING + IVORY EJECTOR
- 4 : BLUE HOUSING + AMBER EJECTOR



Copyright FCI.

12. A SYMBOL WILL BE NEXT TO ANY DIMENSION, VIEW, OR NOTE WHICH HAS BEEN MODIFIED WITH THE CURRENT DRAWING REVISION

dr	Rick Bian	2010/07/03	projection 	MM 	size	A4	scale	0.500
eng	Eric Jiang	2013/11/25			ecn no	ELX-DG-15684-1		
chr	Tian-Xu Huang	2013/11/25			rel level	Released		
appr	Pei-Ming Zheng	2013/11/25	product family				rev	R
		title	DDR II 240P PRESS-FIT		dwg no	10034542		
www.fci.com		cat. no.	*	Product - Customer Drw			sheet 5 of 5	

X-ON Electronics

Largest Supplier of Electrical and Electronic Components

Click to view similar products for [DIMM Connectors](#) category:

Click to view products by [Amphenol](#) manufacturer:

Other Similar products are found below :

[1-1932649-2](#) [1-1761024-0](#) [2309411-5](#) [5390471-1](#) [2309413-3](#) [78507-0061](#) [KIT-SODIMM-1X16GB/01](#) [10129206-0010013LF](#) [10086891-052TSLF](#) [10079192-11102LF](#) [10116658-152FSLF](#) [10129206-0011113LF](#) [1-2308107-0](#) [2013310-1](#) [2013289-1](#) [390111-1](#) [390112-1](#) [2309413-1](#) [2309407-1](#) [2309414-1](#) [10081530-12208LF](#) [151080-0001](#) [78726-1004](#) [10005639-11107LF](#) [10005639-11109LF](#) [10005639-12207LF](#) [10023061-10207LF](#) [10033853-252FSLF](#) [10033853-052ASLF](#) [10033853-052FSLF](#) [10033853-152FSLF](#) [10033854-052FSLF](#) [10034542-10002LF](#) [10037402-12207LF](#) [10081530-11107LF](#) [10081530-12207LF](#) [10081530-12218LF](#) [10124632-0030001LF](#) [10124806-01006LF](#) [10145891-0320J13LF](#) [10145226-0241N13LF](#) [59354-052FSLF](#) [59355-052FSLF](#) [DDR4288S0211TF](#) [DDR4288S0511H](#) [DDR4288S0511TF](#) [DDR4288V0123TF](#) [DDR4288V0213TF](#) [DDR502112001K](#) [DDR504111002KQ](#)