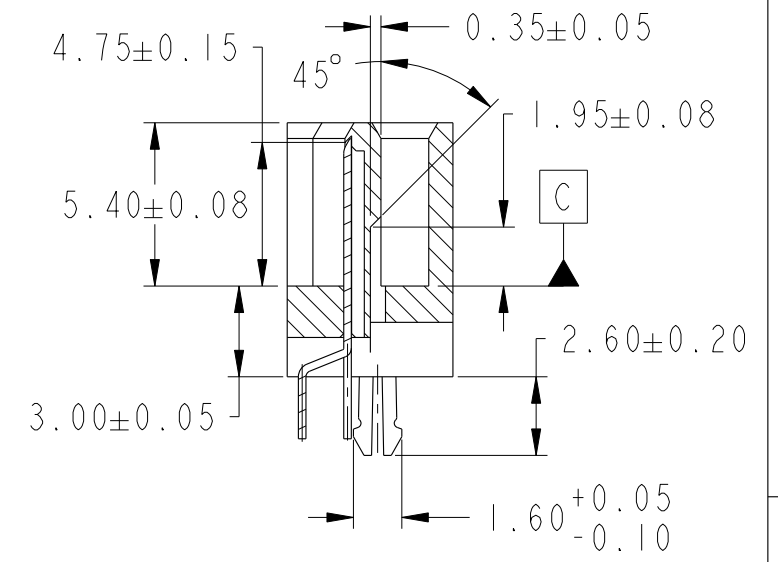
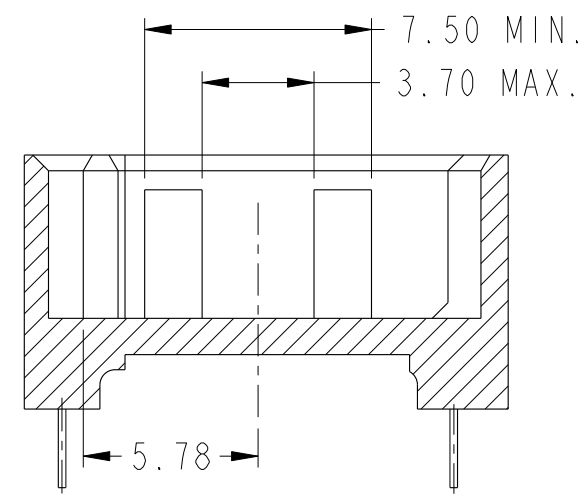
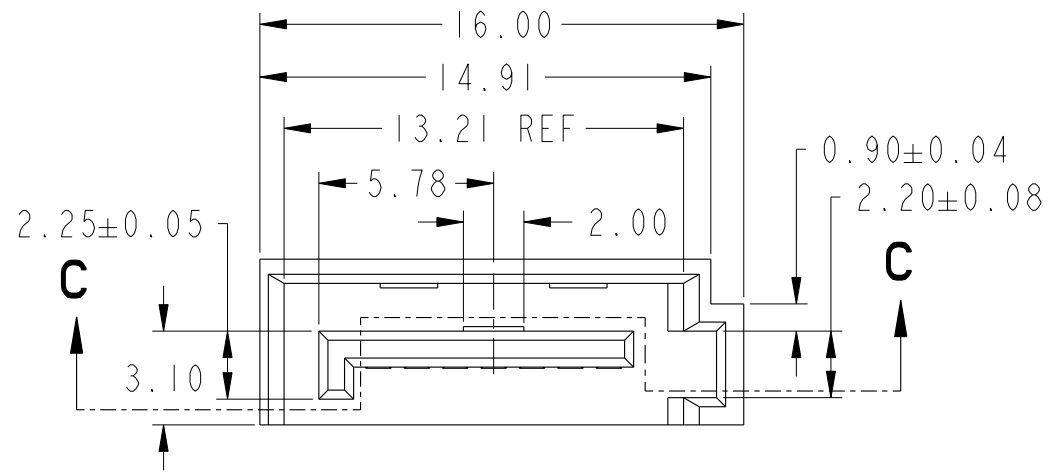
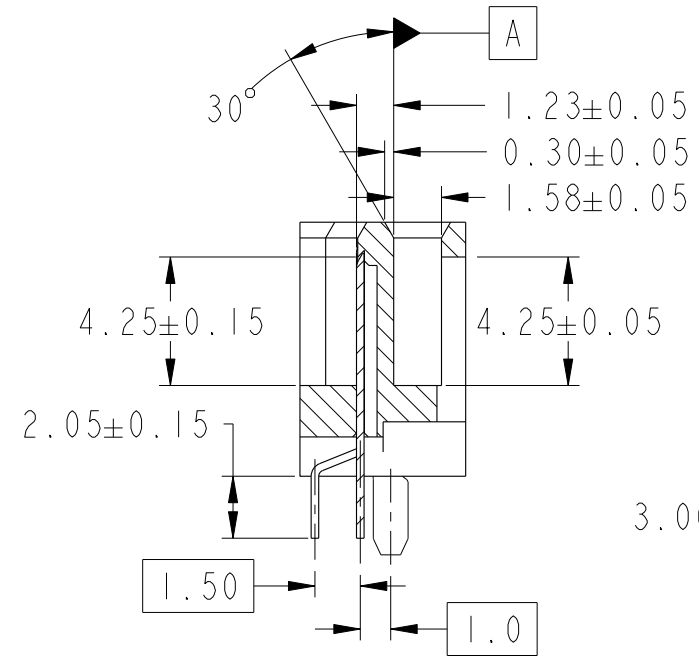
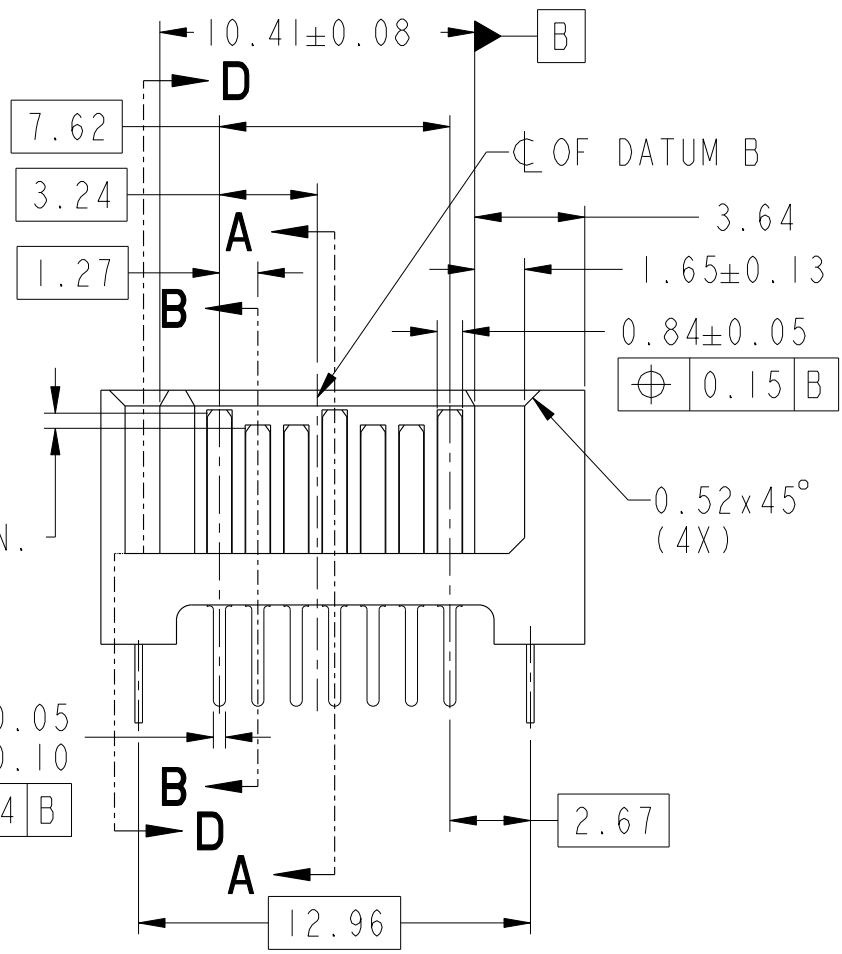


PRODUCT NO.  
10035690-XXX-3W

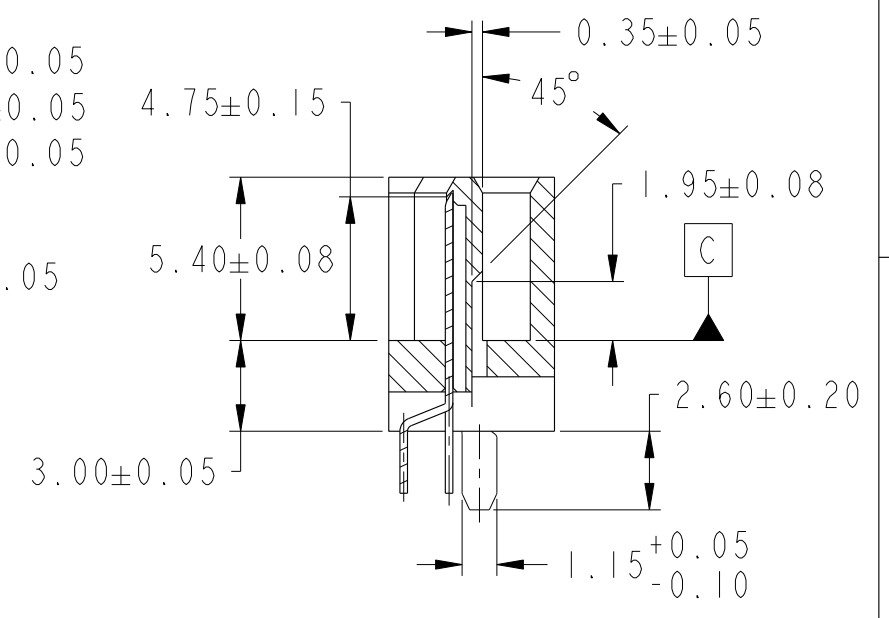


SECTION C-C

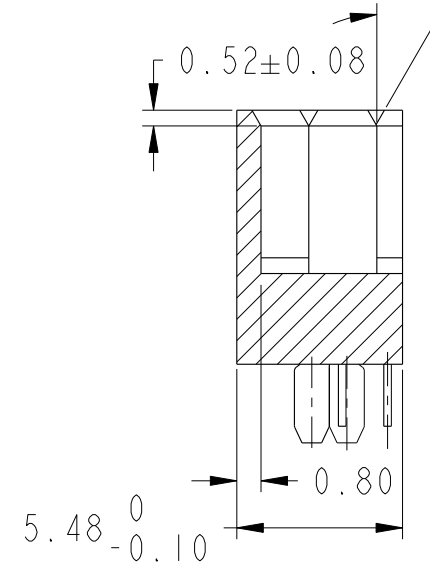
SECTION A-A  
METAL CLIP A



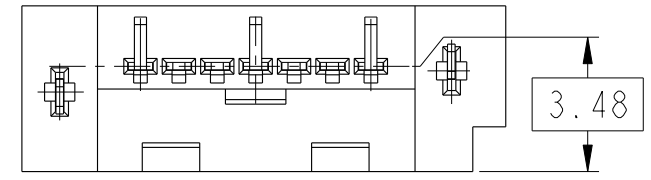
SECTION B-B



SECTION A-A  
METAL CLIP B



SECTION D-D



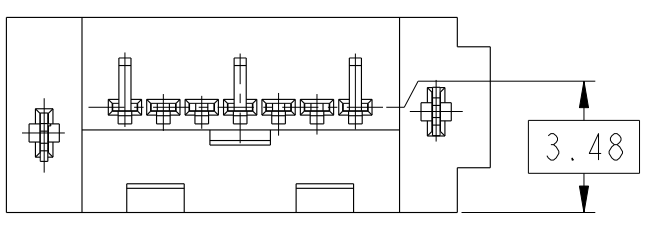
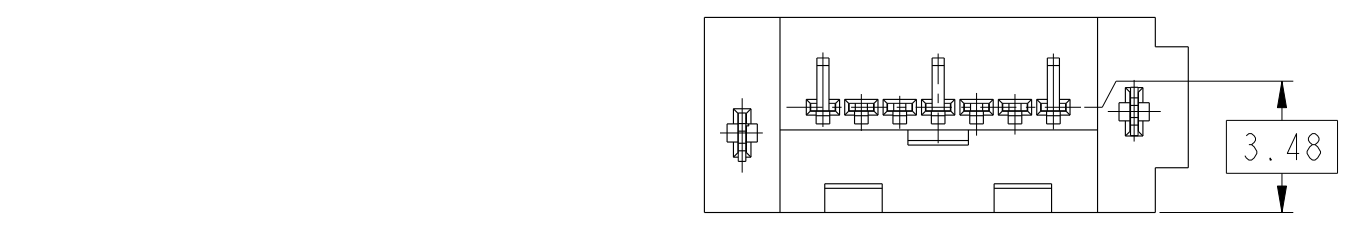
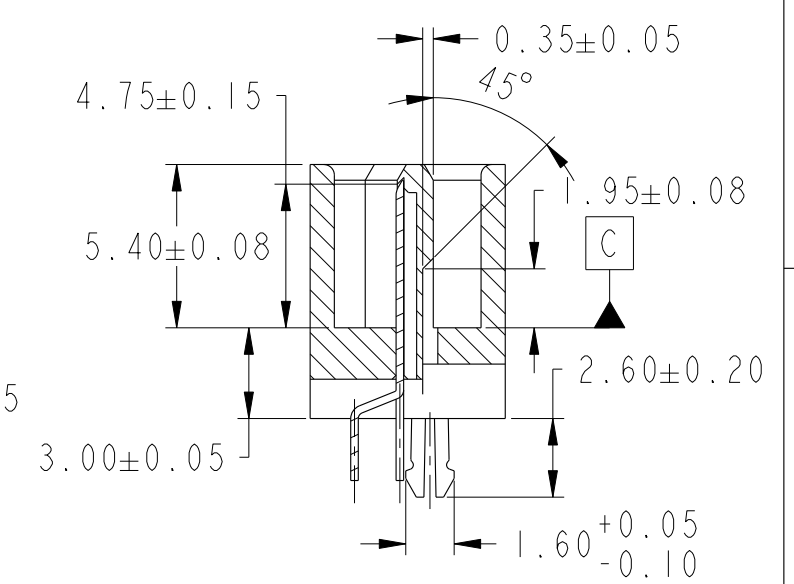
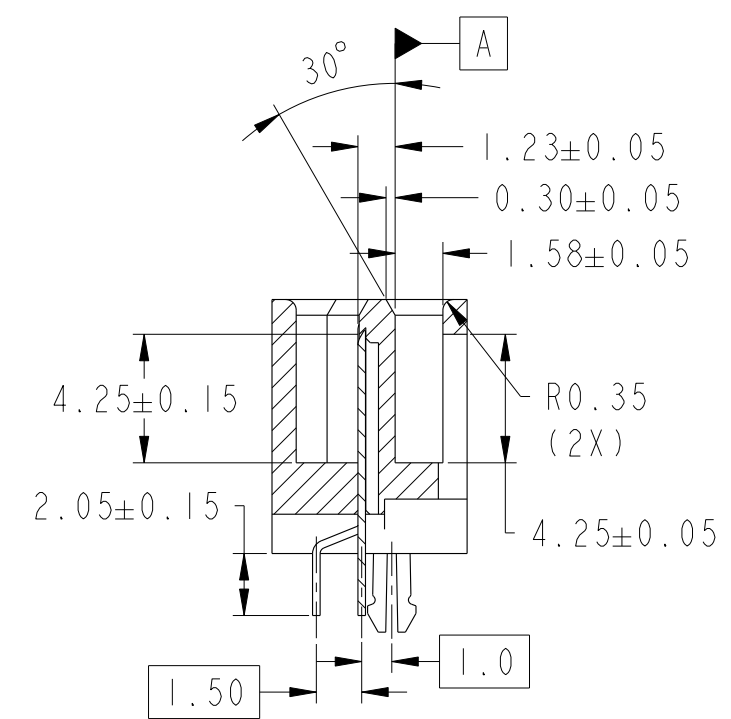
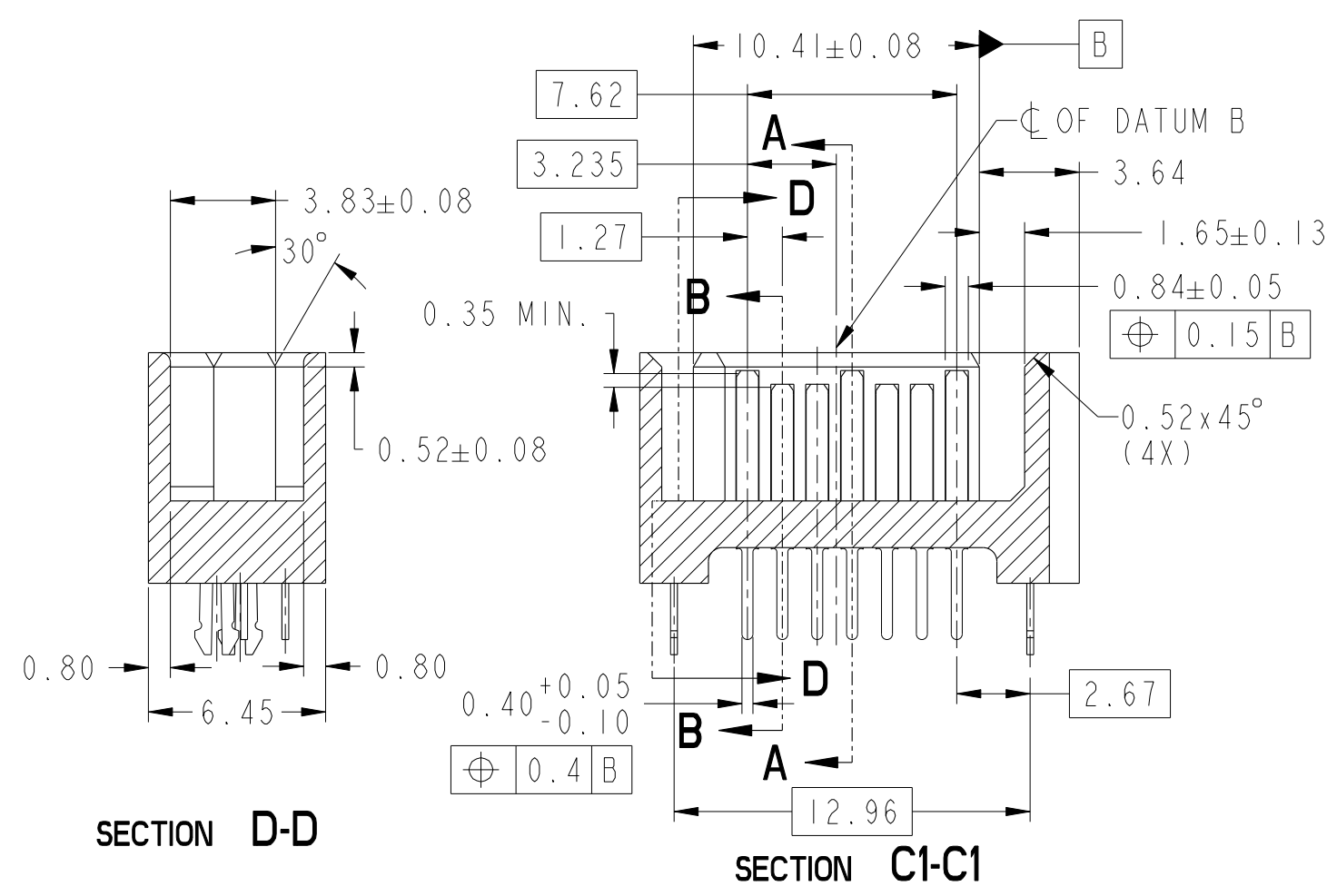
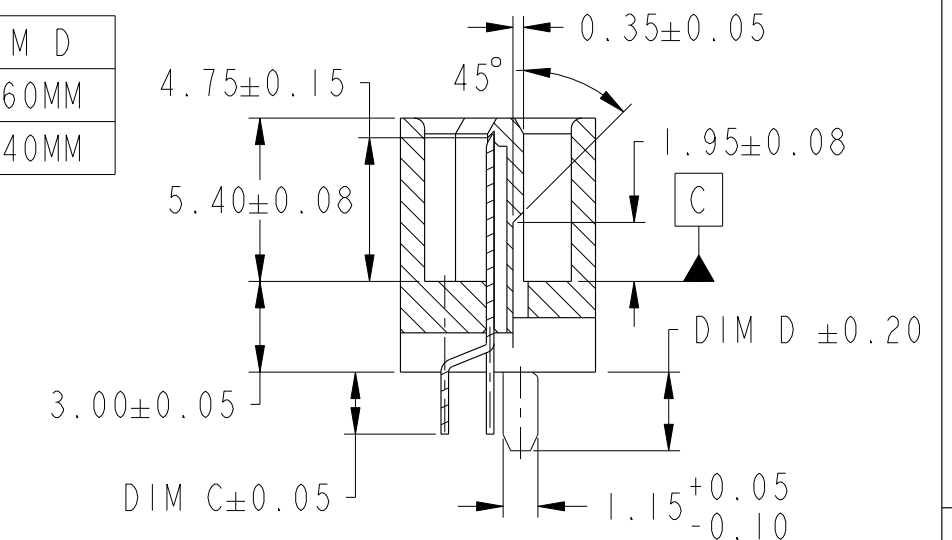
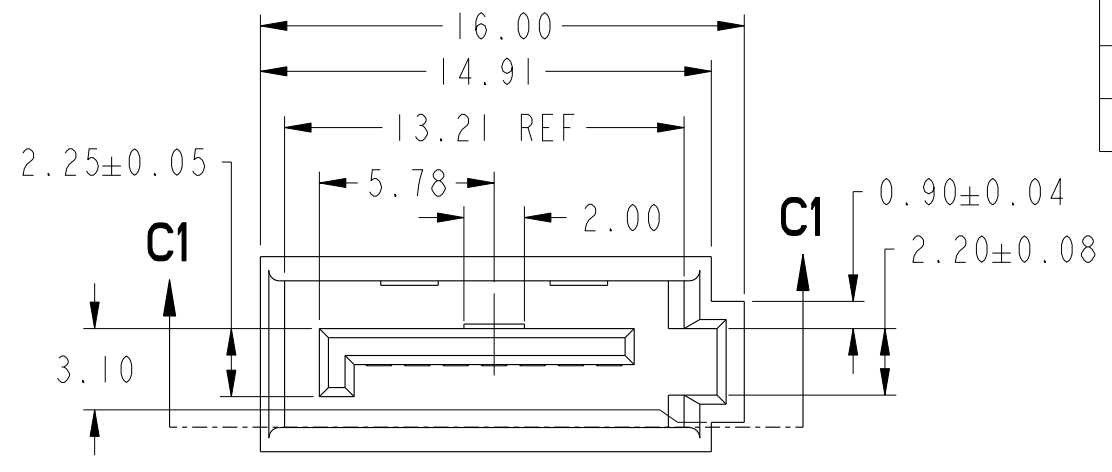
spec ref	-	dr	Wade Liu	09/09/05	projection	mm	size	A3	scale	4:1
tolerance std	ASME Y14.5M	eng	Wade Liu	09/09/05			ecn no	ELX-S-32119-1	rel level	ptc.wm.lifecycle.state
TOLERANCES UNLESS OTHERWISE SPECIFIED		chr	Wade Liu	09/09/05						
surface	linear	appr	Sterling Lin	09/09/05	S-ATA SIGNAL PLUG DIP VERTICAL TYPE ASSY		rel level	ptc.wm.lifecycle.state	dwg no	10035690
ASME Y14.5	angular				cat. no.	-	Product - Customer Drw	sheet 1 of 4	rev	C

Amphenol FCI

© 2016 AFCI

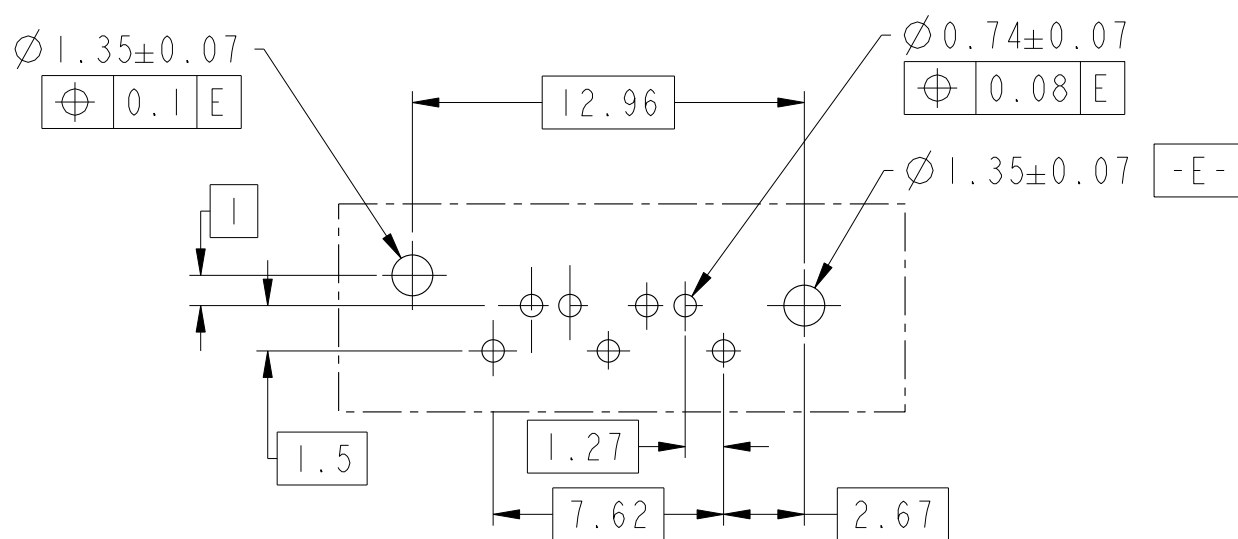
PRODUCT NO.  
10035690-XXX-4W

SUFFIX	DIM C	DIM D
OTHERS	2.05MM	2.60MM
-XX4XLF	3.05MM	3.40MM



spec ref	-	dr	Wade Liu	09/09/05	projection	mm	size	A3	scale	4:1
tolerance std	ASME Y14.5M	eng	Wade Liu	09/09/05			ecn no	ELX-S-32119-1	rel level	ptc.wm.lifecycle.state
TOLERANCES UNLESS OTHERWISE SPECIFIED		chr	Wade Liu	09/09/05						
surface	linear	appr	Sterling Lin	09/09/05	S-ATA SIGNAL PLUG DIP VERTICAL TYPE ASSY		dwg no	10035690	rev	C
ASME Y14.5	angular			cat. no.	-	Product - Customer Drw	sheet 2 of 4			

Amphenol FCI  
© 2016 AFCI



RECOMMENDED MOUNTING LAYOUT  
 RECOMMENDED PCB T = 1.60MM  
 TOLERANCE UNLESS OTHERWISE ±0.1

10035690 - X X X-X XX

- BLANK: PLATING TIN/LEAD
- LF: PLATING LEAD FREE
- 3W: 3 WALL
- 4W: 4 WALL
- 2: METAL CLIP A WITH 2.05MM TAIL
- 3: METAL CLIP B WITH 2.05MM TAIL
- 4: METAL CLIP B WITH 3.05MM TAIL (4W ONLY)
- Au THICKNESS OF CONTACT POINT
- 0: 15μ" MIN
- 2: 3μ" MIN
- 1: 30μ" MIN.
- HOUSING COLOR
- 0: BLACK

Amphenol  
FCi

© 2016 AFCI

spec ref	-			dr	Wade Liu	09/09/05	projection	mm	size	A3	scale	4:1	
tolerance std	ASME Y14.5M			eng	Wade Liu	09/09/05		← →	ecn no			ELX-S-32119-1	
TOLERANCES UNLESS OTHERWISE SPECIFIED				chr	Wade Liu	09/09/05			product family			SATA	rel level
surface	linear	0.X	±0.30	Amphenol FCi	S-ATA SIGNAL PLUG DIP VERTICAL TYPE ASSY			dwg no	10035690			rev	C
		0.XX	±0.20										
		0.XXX	±0.10										
ASME Y14.5	angular	0°	±2°	cat. no.	-			Product - Customer Drw			sheet 3 of 4		

A

B

C

D


A

B

C

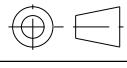
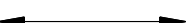
D

NOTE:

- 1. MATERIAL
  - i) HOUSING: PA9T UL94V-0.
  - ii) TERMINAL: BRASS: C2680.
  - iii) HOLD DOWN: BRASS: C2680.
- 2. FINISH
  - i) TERMINAL: Au PLATING AT CONTACT POINT  
100μ" MIN Sn-Pb or PURE TIN PLATING AT SOLDER TAIL WITH NICKEL UNDERPLATE.
  - ii) HOLD DOWN: 100-200μ" Sn-Pb or PURE TIN PLATING.
- 3. P/N:10035690-XXXXLF  
THE HOUSING WILL WITHSTAND EXPOSURE TO 260°C PEAK TEMPERATURE FOR 10 SECONDS IN A WAVE SOLDER APPLICATION WITH 1.6MM MINIMUM THICK CIRCUIT BOARD.
- 4. PACKAGING SPEC: GS-14-840.
- 5. PRODUCT SPEC: GS-12-194.
- 6. THIS PRODUCT MEETS EUROPEAN UNION DIRECTIVES AND OTHER CONUNTRY REGULATIONS AS DESCRIBED IN GS-47-0004.
- 7. DIMENSIONS WITH AN "OVAL" AROUND ARE CRITICAL CHARACTERISTIC (CC) DIMENSIONS OR (IPI) IN PROCESS INSPECTION. OHTER FEATURES OR STAND-ALONE GEOMETRICAL TOLERANCES THAT ARE DESIGNATED AS (CC) OR (IPI) HAVE THE NOTE "INSPECTION FEATURES" BELOW THEM.
- 8. A  SYMBOL WILL BE NEXT TO ANY DIMENSION, VIEW, OR NOTE WHICH HAS BEEN MODIFIED WITH THE CURRENT DRAWING REVISION.

Amphenol  
FCi

© 2016 AFCI

spec ref		-		dr	Wade Liu	09/09/05	projection	mm	size	A3	scale	4:1
tolerance std		ASME Y14.5M		eng	Wade Liu	09/09/05			ecn no ELX-S-32119-1			
TOLERANCES UNLESS OTHERWISE SPECIFIED		chr	Wade Liu	09/09/05	product family				SATA	rel level		ptc.wm.lifecycle.state
surface	linear	0.X	±0.30	appr	Sterling Lin	09/09/05	S-ATA SIGNAL PLUG		dwg no		10035690	
		0.XX	±0.20	Amphenol FCi		DIP VERTICAL TYPE ASSY		rev		C		
ASME Y14.5	angular	0°	±2°	cat. no.		-	Product - Customer Drw		sheet 4 of 4			

## X-ON Electronics

Largest Supplier of Electrical and Electronic Components

*Click to view similar products for [I/O Connectors](#) category:*

*Click to view products by [Amphenol](#) manufacturer:*

Other Similar products are found below :

[571763P](#) [58098-0628](#) [72.250.1628.2](#) [72.250.2428.2](#) [74720-0505](#) [76.350.0729.0](#) [76871-1403](#) [FCN-244F080-G/1](#) [FCN-260A9920](#) [MP-5T180MUNNA-005](#) [PCR-E36PM](#) [PCS-XE26MA+](#) [G38A71314B](#) [1571250010](#) [157-22500-3](#) [MS3471L14-19P L/C](#) [192991-0703](#) [172501-4002](#) [172501-6002](#) [FCN-260C008-A/L0](#) [FCN-260C024-AL0](#) [FCN-261Z008](#) [2000314-1](#) [200331-1](#) [PCR-E36FC+](#) [PCS-E28FS+](#) [PCS-XE26SLFD+](#) [PCS-XE26SLFDT+](#) [G730VID08BDC24](#) [U90B2054081210](#) [UE86K842720321](#) [38113800006](#) [DP3AR020WQ1R200](#) [Z4.102.0680.0](#) [500-1040](#) [500-1052](#) [500-1054](#) [ZP-4008-66L](#) [0709821002](#) [DX40-20P\(55\)](#) [5554841-1](#) [MS3474W18-8P-LC\\*](#) [U90B3054061110](#) [U65-E04-4020](#) [ZPF000000000097891](#) [557-262M2-06C](#) [747360449](#) [10099439-003C-TRLF](#) [10137239-0021LF](#) [E9320-001-01](#)