

PRODUCT NUMBERING

10035691 X X X XX

BLANK: PLATING TIN/LEAD
LF: PLATING LEAD FREE

2: METAL CLIP A WITH TIN AT SOLDER TAIL
3: METAL CLIP b WITH TIN AT SOLDER TAIL
4: METAL CLIP B WITH G/F AT SOLDER TAIL
5: METAL CLIP C WITH TIN AT SOLDER TAIL
6: METAL CLIP D WITH G/F AT SOLDER TAIL
7: METAL CLIP B WITH TIN AT SOLDER TAIL
(30μ" [0.76μm] GOLD AT CONTACT)
S: METAL CLIP B WITH TIN AT SOLDER TAIL
5μ" GOLD AT CONTACT

0: TUBE PACKING
1: T&R PACKING
2: T&R WITH CAP (NOTE 6)
3: TRAY WITH CAP (NOTE 6)

HOUSING
0: BLACK
1: BLUE

NOTES:

1. MATERIAL
 - i) HOUSING : HIGH TEMPERATURE THERMOPLASTIC UL94V-0
 - ii) TERMINAL : COPPER ALLOY
 - iii) HOLD DOWN: COPPER ALLOY
2. FINISH
 - i) TERMINAL : 15μ" MIN Au PLATING AT CONTACT POINT
100μ" MIN PURE MATT TIN OR GOLD FLASH PLATING AT SOLDER TAIL WITH NICKEL UNDERPLATE
 - ii) HOLD DOWN : 100-200μ" PURE MATT TIN PLATING
3. P/N 10035691-XXXLF, THE HOUSING WILL WITHSTAND EXPOSURE TO 260°C PEAK TEMPERATURE FOR 10 SECONDS IN A REFLOW SOLDER APPLICATION WITH 1.6mm MIN THICK CIRCUIT BOARD
4. PACKAGING SPEC: GS-14-840
5. PRODUCT SPEC : GS-12-194.
6. PRODUCT SPEC : 110-634 FOR 10035691-033LF, -023LF ONLY.
7. ALTERNATIVE PRODUCT SPEC. GS-12-200 (FOR CABLE APPLICATION).

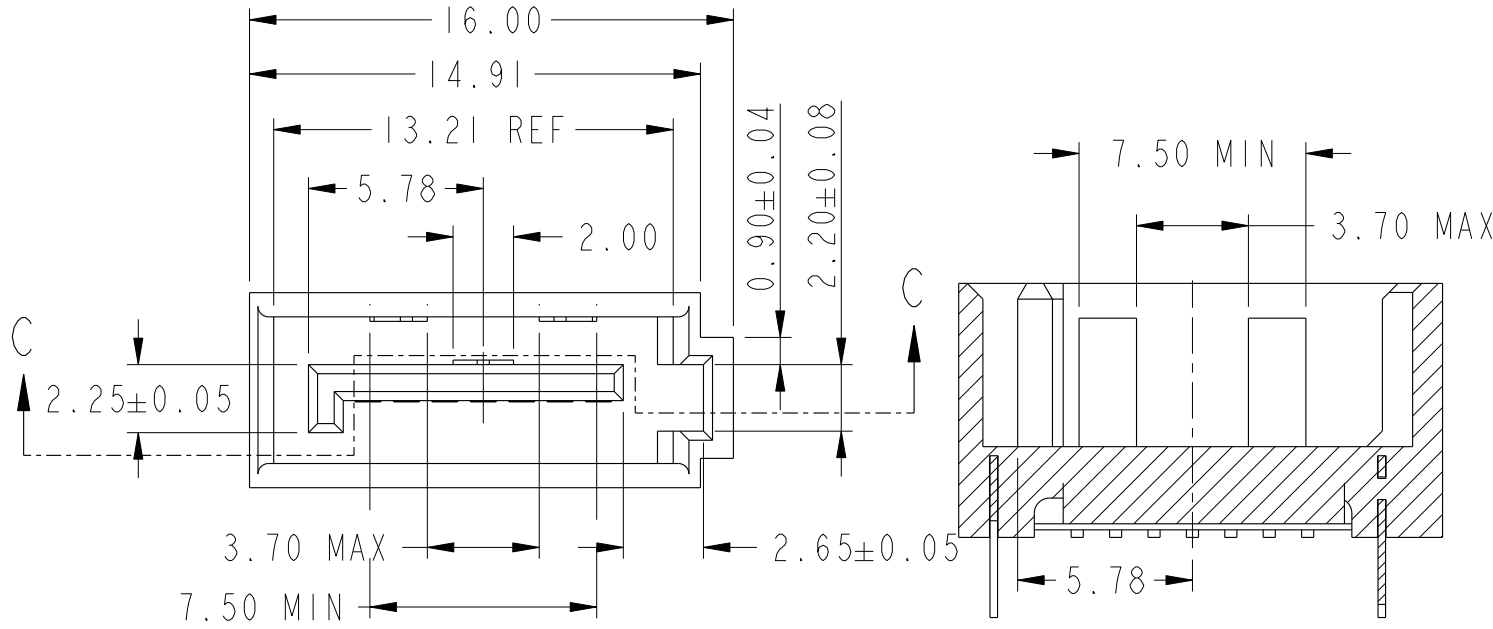
Amphenol
FCi

© 2016 AFCI

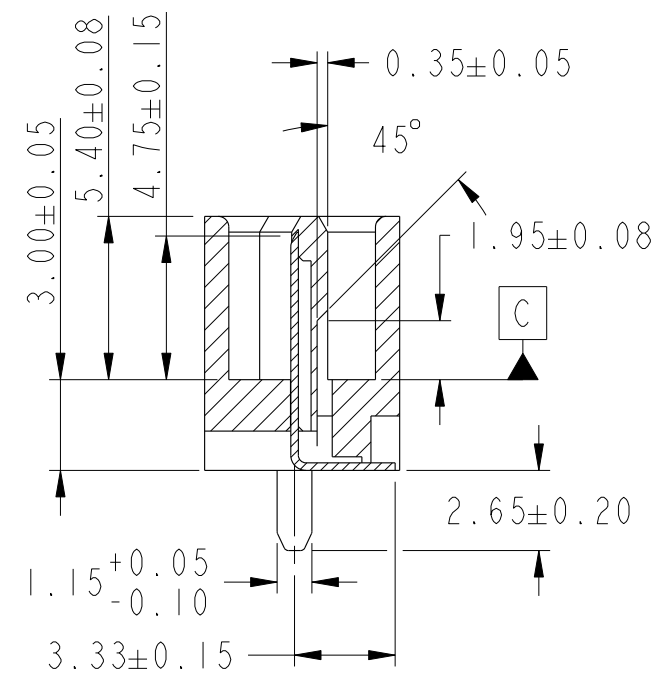
spec ref -		dr	WADE LIU	2005-09-09	projection	mm	size	A3	scale	4:1
tolerance std -		eng	WADE LIU	2005-09-09			ecn no		ELX-S-29996-1	
TOLERANCES UNLESS OTHERWISE SPECIFIED		chr	WADE LIU	2005-09-09			rel level		Released	
surface -	linear ✓	0.X	±0.30	Amphenol FCi	S-ATA SIGNAL PLUG	dwg no	10035691		rev J	
		0.XX	±0.20							
		0.XXX	±0.10							
-	angular	0°	±2°	cat. no.	-	Product - Customer Drw		sheet 1 of 3		

Amphenol
FCi

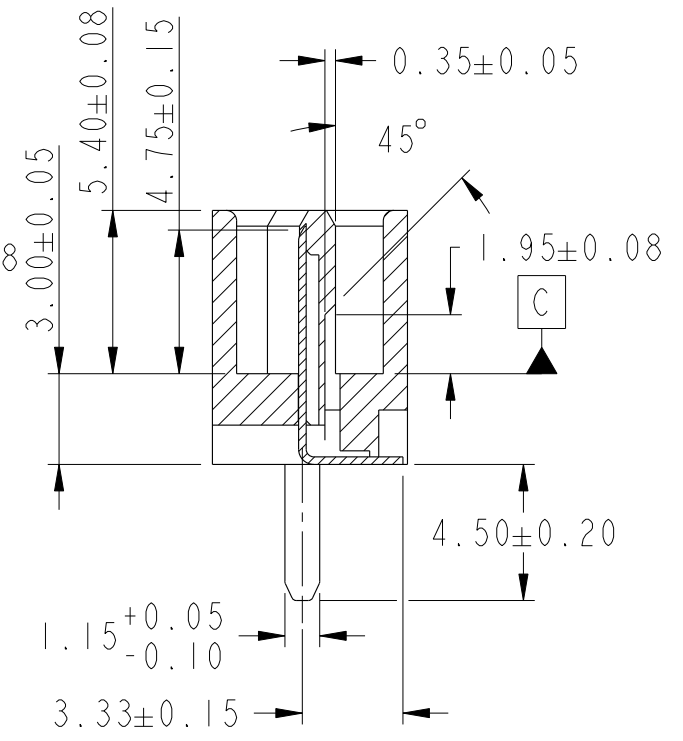
© 2016 AFCI



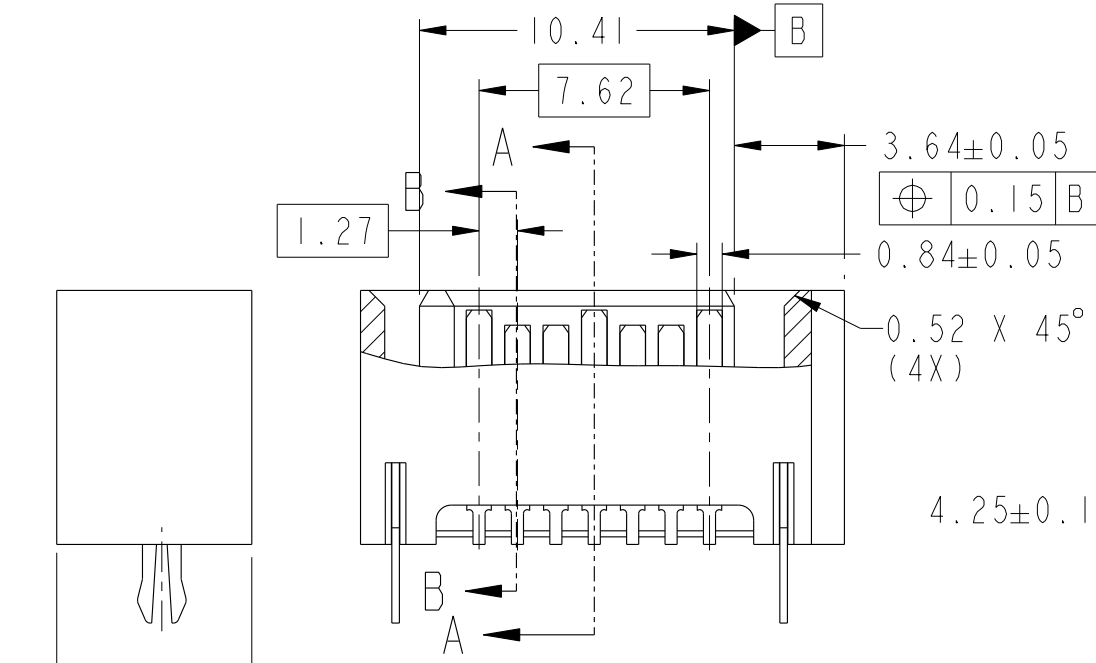
SECTION C-C



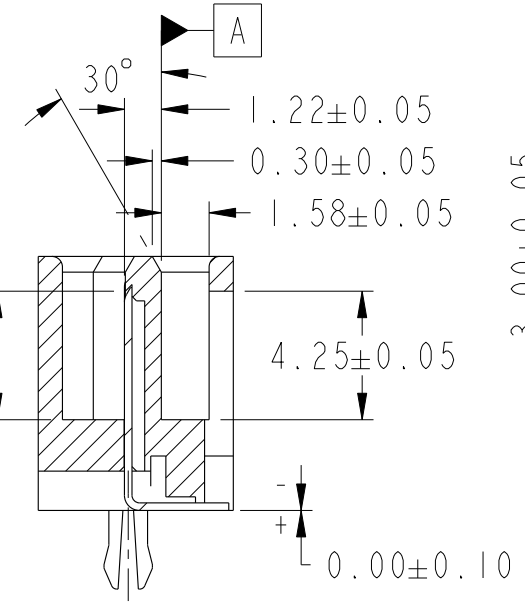
SECTION A-A
METAL CLIP B



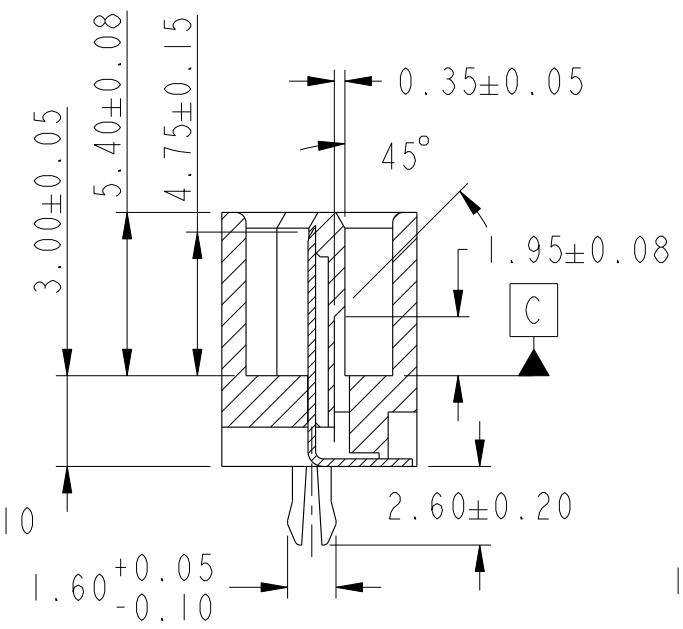
SECTION A-A
METAL CLIP D



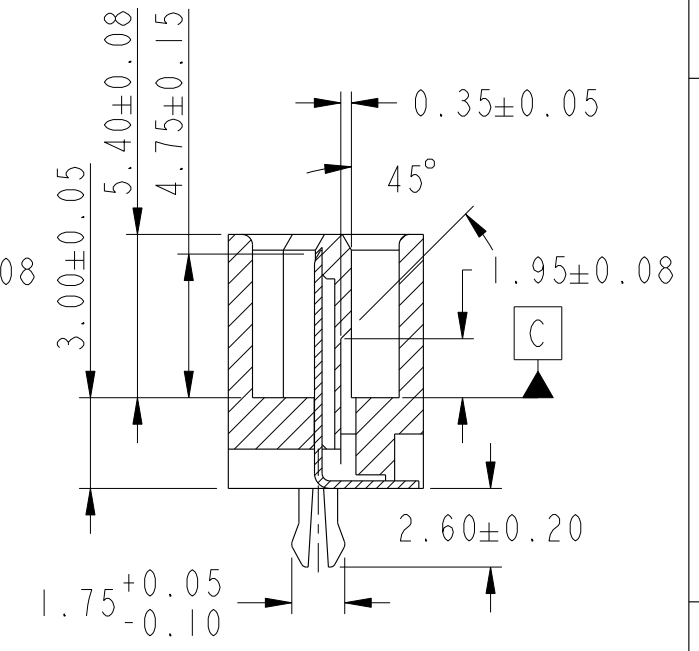
SECTION D-D



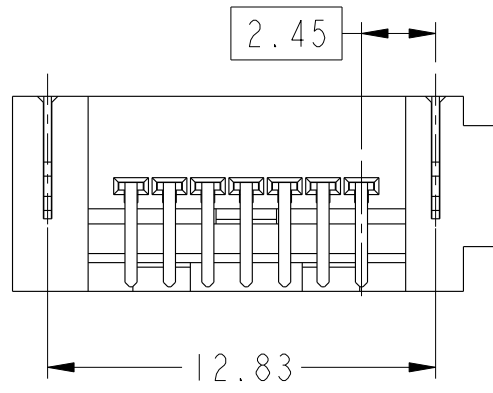
SECTION B-B



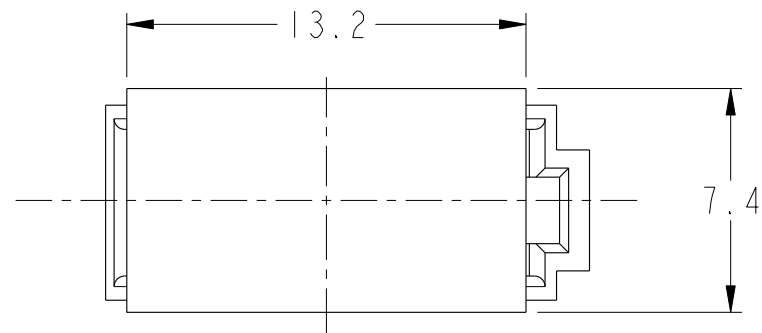
SECTION A-A
METAL CLIP A



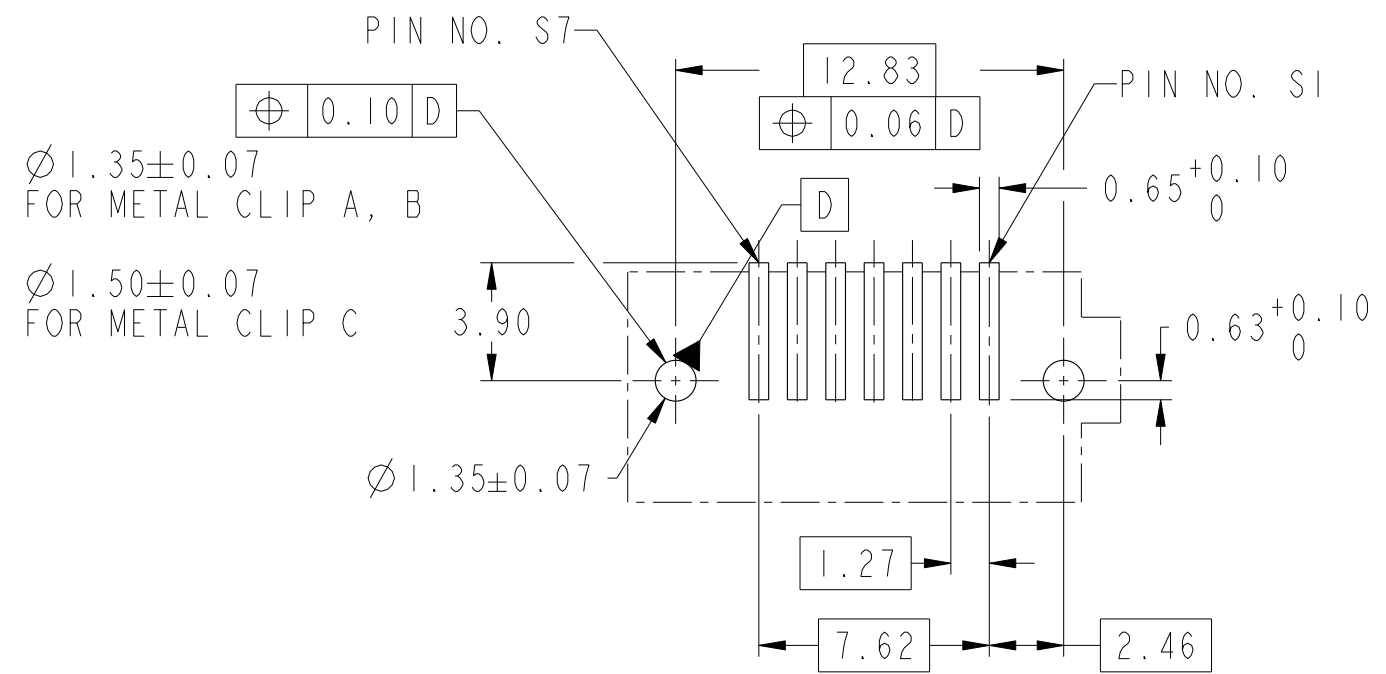
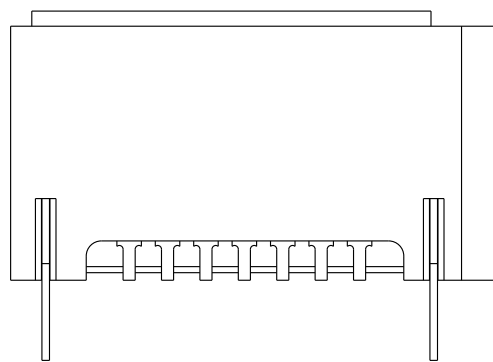
SECTION A-A
METAL CLIP C



spec ref	-	dr	WADE LIU	2005-09-09	projection	mm	size	A3	scale	4:1
tolerance std	TOLERANCES UNLESS OTHERWISE SPECIFIED	eng	WADE LIU	2005-09-09			ecn no	ELX-S-29996-1	rel level	Released
-		chr	WADE LIU	2005-09-09						
-		appr	STERLING LIN	2005-09-09	product family	-				
surface	linear	0.X	±0.30	Amphenol FCi	title S-ATA SIGNAL PLUG SMT VERTICAL TYPE ASSY	cat. no. -	Product - Customer Drw	sheet 2 of 3	rev J	dwg no 10035691
-	0.XX	±0.20								
-	0.XXX	±0.10								
-	angular	0°	±2°							



PRODUCT WITH CAP FOR T & R PACKING



RECOMMENDED MOUNTING LAYOUT
 RECOMMENDED PCB T = 1.60mm
 TOLERANCE UNLESS OTHERWISE : ± 0.1

spec ref	-	dr	WADE LIU	2005-09-09	projection	mm	size	A3	scale	4:1											
tolerance std	TOLERANCES UNLESS OTHERWISE SPECIFIED	eng	WADE LIU	2005-09-09			ecn no		ELX-S-29996-1												
-		chr	WADE LIU	2005-09-09			rel level		Released												
surface	<table border="1"> <tr> <td>linear</td> <td>0.X</td> <td>± 0.30</td> </tr> <tr> <td></td> <td>0.XX</td> <td>± 0.20</td> </tr> <tr> <td></td> <td>0.XXX</td> <td>± 0.10</td> </tr> <tr> <td>angular</td> <td>0°</td> <td>$\pm 2^\circ$</td> </tr> </table>	linear	0.X	± 0.30		0.XX	± 0.20		0.XXX	± 0.10	angular	0°	$\pm 2^\circ$	Amphenol FCI	S-ATA SIGNAL PLUG		dwg no	10035691		rev J	
linear	0.X	± 0.30																			
	0.XX	± 0.20																			
	0.XXX	± 0.10																			
angular	0°	$\pm 2^\circ$																			
-		apppr	STERLING LIN	2005-09-09	product family	-		Product - Customer Drw													
		cat. no.	-		Product - Customer Drw		sheet 3 of 3														

X-ON Electronics

Largest Supplier of Electrical and Electronic Components

Click to view similar products for [I/O Connectors](#) category:

Click to view products by [Amphenol](#) manufacturer:

Other Similar products are found below :

[571763P](#) [58098-0628](#) [72.250.1628.2](#) [72.250.2428.2](#) [74720-0505](#) [76.350.0729.0](#) [76871-1403](#) [FCN-244F080-G/1](#) [FCN-260A9920](#) [MP-5T180MUNNA-005](#) [PCR-E36PM](#) [PCS-XE26MA+](#) [G38A71314B](#) [1571250010](#) [157-22500-3](#) [MS3471L14-19P L/C](#) [192991-0703](#) [172501-4002](#) [172501-6002](#) [FCN-260C008-A/L0](#) [FCN-260C024-AL0](#) [FCN-261Z008](#) [2000314-1](#) [200331-1](#) [PCR-E36FC+](#) [PCS-E28FS+](#) [PCS-XE26SLFD+](#) [PCS-XE26SLFDT+](#) [G730VID08BDC24](#) [HDR-E14MSG1+](#) [U90B2054081210](#) [UE86K842720321](#) [38113800006](#)
[DP3AR020WQ1R200](#) [Z4.102.0680.0](#) [500-1040](#) [500-1052](#) [500-1054](#) [ZP-4008-66L](#) [0709821002](#) [DX40-20P\(55\)](#) [5554841-1](#) [MS3474W18-8P-LC*](#) [SM3106F14S-7S-LC](#) [U90B3054061110](#) [U65-E04-4020](#) [ZPF000000000097891](#) [557-262M2-06C](#) [747360449](#) [10099439-003C-TRLF](#)