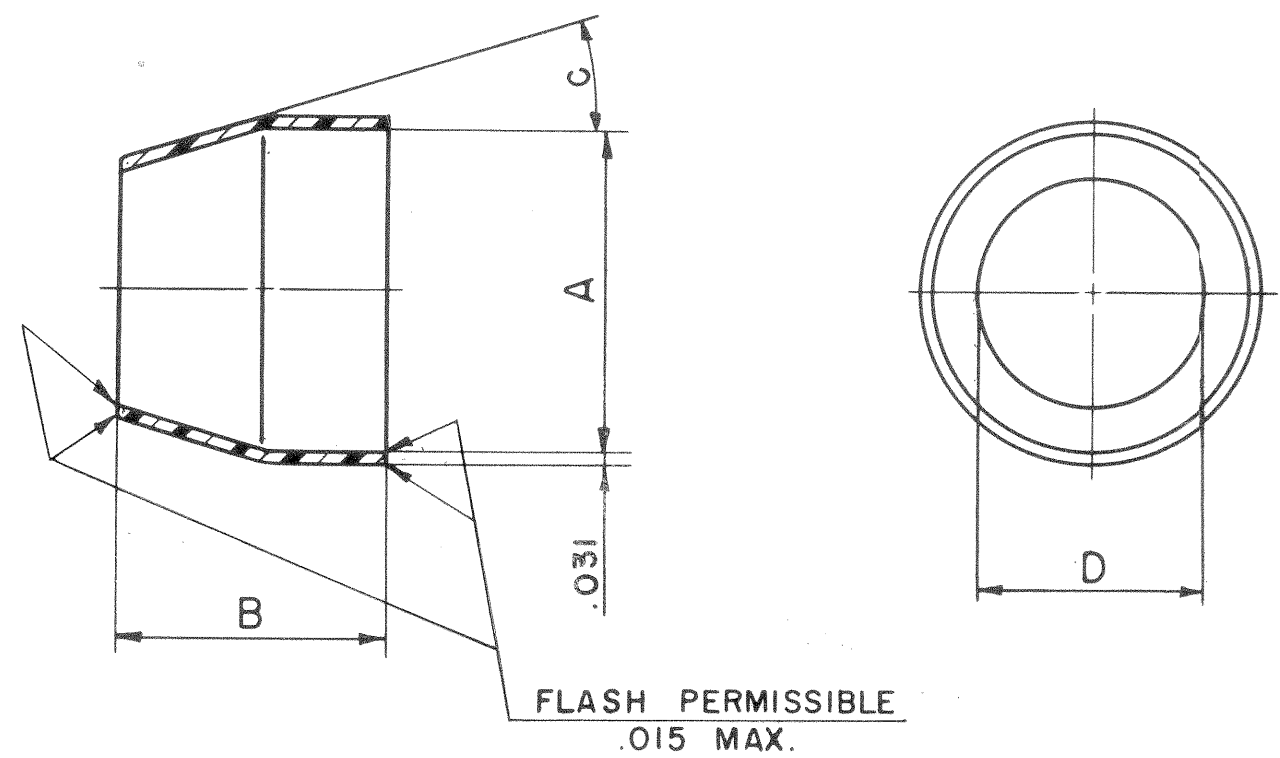


PART NUMBER	A DIA	B	C	D DIA	WT-LB	COMMENT	RELEASE
10-36298-8	.516 <sup>+0.000</sup> / <sub>-0.010</sub>	.63	22°	.288	.0010	22387-6	30508-227
-10	.609	↓		.359	.0011		
-12	.766	↓		.484	.0016		
-13	.766	.851		.484			
-14	.844	.633		.609	.0020		
-15	.844	.851		.609	.0027		
-16	.969	.633		.734	.0020		
-17	.969	.851		.734	.0023		
-18	1.094 ↓	↓		.859	.0040		
-20	1.219 <sup>+0.000</sup> / <sub>-0.015</sub>	↓		.984	.0047		
-22	1.344	↓		1.109	.0051		
-24	1.469	.788		1.234	.0052		
-28	1.719 ↓	.788	↓	1.427	.0063		
-32	2.000 <sup>+0.000</sup> / <sub>-0.020</sub>	.726	34°	1.708	.0070		
-36	2.219	↓		1.895	.0066		
-40	2.469	↓		2.130			
-44	2.782 ↓	↓		2.400			

10-36298

REL.	30508-227	WAS	DATE	D'MAN	APPD.
1	31018-1	ADD: NOTE "FLASH PERMISSIBLE .015 MAX."	5-16-55	I.NILES	<i>[Signature]</i>
2	30525-314	REV COL A	9-16-55	JONES	<i>[Signature]</i>
3	31662-2	ADD D DIA FOR -10, RELOC C DIM, REV COL C	1-17-56	FGEORGE	<i>[Signature]</i>
4	33199-1	REV COL C	6-24-57	MUGGLIN	<i>[Signature]</i>
5	35525-881	ADD -44 AND DATA	8-31-59	FAIRCHILD	<i>[Signature]</i>
A	49525-85	(MFG); ADD. WT LB COL	11-8-69	Randall	<i>[Signature]</i>



USE OF THIS DOCUMENT IS UNLIMITED. DOCUMENTS REFERENCED HEREON CONTAIN LIMITED RIGHTS DATA.

- NOTES:
- PARTS TO BE TRANSPARENT TO TRANSLUCENT.
  - E.I. DUPONT DE NEMOURS & CO, INC ZYTEL 101.
  - ENGINEERING SOURCE APPROVAL REQUIRED.

MATERIAL SPEC. NYLON SEE NOTE 2		PROCESS SPEC.		SCINTILLA MAGNETO DIVISION BENDIX AVIATION CORPORATION SIDNEY, N. Y., U.S.A.				TOLERANCES UNLESS OTHERWISE SPECIFIED	
HEAT TREAT SPEC.		FINISH SPEC.						DECIMALS ± .010	
NAME				END BELL, POTTING, ELECTRICAL CONNECTOR				NEXT ASSEMBLY	
TOOL ACC				COM. REC 22387-6		9-16-54		2-23-55	
D'MAN		CHECKER	MAT.	ST'DS	CH D'MAN	APPROVED	SCALE	NO SCALE	
CHERMAK		<i>[Signature]</i>	EP	<i>[Signature]</i>	<i>[Signature]</i>	<i>[Signature]</i>	NO SCALE	SUPERSEDES AND IS NOT INTERCHANGEABLE	
SUPERSEDED BY								10-87217 THRU 10-87232 10-87201 THRU 10-87216	
REF								10-36298	

## X-ON Electronics

Largest Supplier of Electrical and Electronic Components

*Click to view similar products for* [Circular MIL Spec Tools, Hardware & Accessories](#) *category:*

*Click to view products by* [Amphenol](#) *manufacturer:*

Other Similar products are found below :

[809-199-3](#) [001104](#) [300 04](#) [600-006-16](#) [600-079-06](#) [M10-101982-143](#) [M10-101982-163](#) [M10-101983-183](#) [M10-150912-083](#) [M10-454396-008](#) [602GB18808](#) [M225201-06](#) [M24758-20E21](#) [M2887610-BC](#) [M2887615-CD](#) [M38999/9-19B](#) [62GB-812-10](#) [630A007NF083A](#) [630B007M051A](#) [630BJ003NF032H](#) [637-149NF04B](#) [M39029/29-215](#) [650FS002NF16](#) [M81969-14-02](#) [660-008NF14S7-01](#) [660-009M22H8-03](#) [660-013NF19U6-210](#) [660-015M10S6-17](#) [660-015NF10S5-01](#) [660-015NF14R3.5-01](#) [660-023NF19H6-19](#) [660-024N09S5-104](#) [660-024NF11S12-01](#) [660-024NF11S3-01](#) [660-050XM17F4-01](#) [660-068NF25R6-30G](#) [660-070M23S8-04](#) [660-073MTCH9-20](#) [M83723/60-116RC](#) [M83723/61-18W](#) [M83723/61-218R](#) [M83723/61-224W](#) [667-224NF16](#) [M85049/118S22A](#) [M85049/126S11N](#) [M85049130-07M](#) [M85049140-09BC](#) [M85049/41-16A W/B](#) [687-697NF-1](#) [M85049/75-14-1](#) [M8504980-8](#)