

4

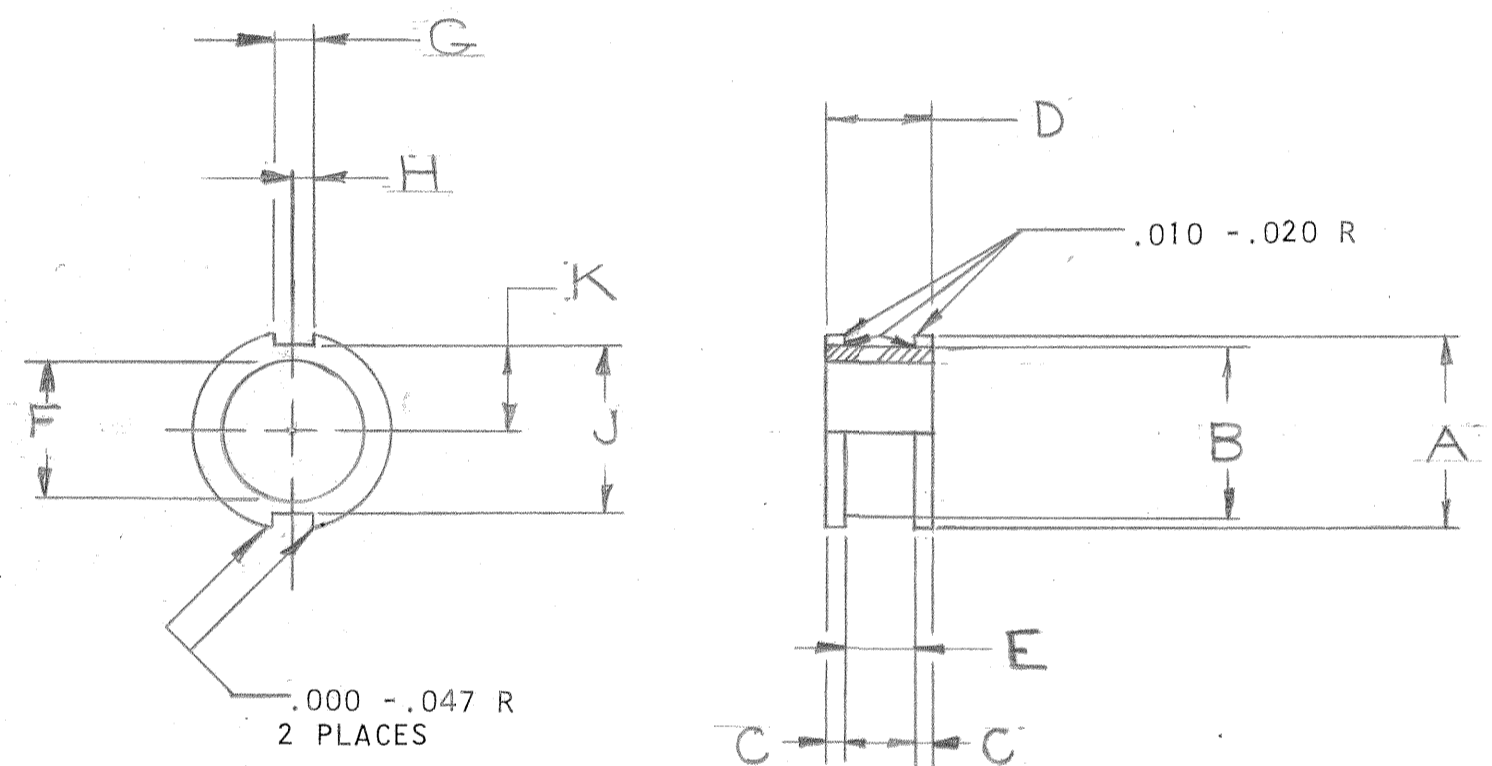
3

2

1

PART NUMBER	A DIA	B DIA	C	D REF	E	F DIA	G	H	J	K	RELEASE
10-36565-101	.344	.250	.062	.468	.344	.125	.125	.062	.250	.125	24708-41
-121	.406	.312				.125	.125		.312	.156	24708-41
-122	.406	.312				.188	.125		.312	.156	24600-4
-141	.532	.438				.125	.156	.078	.438	.219	24708-41
-142						.250					24708-41
-143						.312					24600-4
-161	.656	.562				.250			.562	.281	24708-41
-162						.312					24600-4
-163						.375					24708-41
-164						.460					32608-122 PPL
-181	.719	.625				.250	.219	.109	.625	.312	24708-41
-182						.375					24708-41
-183						.500					24600-4
-201	.844	.750	.094	.532		.250			.750	.375	24708-41
-202						.500					24708-41
-203						.625					24600-4
-204						.438					36536-129
-205						.312					
-206						.562					
-221						.250					24708-41 INACTIVE
-222						.500					
-223						.625					
-231	1.094	1.000				.625	.281	.141	1.000	.500	32524-172 C2
-232						.800					32524-172 C2
-233						.828					37959-4
-234						.375					
-241	1.032	.938				.250			.938	.469	24708-41
-242						.500					
-243						.625					
-244						.750					24600-4
-245						.797					37959-4
-251	1.235	1.141				.750			1.141	.572	32524-172 C2
-252						1.000				.572	32524-172 C2
-253						.625				.571	36508-253
-281	1.032	.938				.250			.938	.469	24708-41 INACTIVE
-282						.500					
-283						.625					

REL NO. 24600-4		REVISIONS		
CHG NO.	SYM	DESCRIPTION	DATE	APPROV.
47513-25	A2	REDRAWN, PPL SAME SIZE	8-4-67 JAGGER	<i>Jagger</i>
96286	B	(CLII) REVISED MATERIAL SPEC BLOCK	7-6-05 JED	<i>JED</i>



DRAWING CONTROLLED BY ELECTRICAL CONNECTOR DESIGN GROUP

ITEM	QTY REQD	PART NUMBER	DESCRIPTION	NOTE
PARTS LIST				
UNLESS OTHERWISE SPECIFIED		DRAWN: B.F.	DATE: 9-19-49	THE Bendix CORPORATION ELECTRICAL COMPONENTS DIVISION SIDNEY NEW YORK U.S.A.
LINEAR DIMENSIONS ARE IN INCHES. TOLERANCES: .XXX ± .010, .XX ± .03, X ± .1, ANGLES ± 2° OTHER STANDARDS PER 9-3800 AND MIL-STD-8. NOTE REF		CHECKED: <i>Balantis</i>	DATE: 8-24-67	
MATERIAL SPEC SYNTHETIC RUBBER 9-1864		MATERIAL: <i>epoxy</i>	STANDARDS: <i>Balantis</i>	TITLE: GROMMET, CABLE CLAMP
PROCESS SPEC		DRAFTING: <i>Sturges</i>	ENGINEERING: <i>J. J. Jagger</i>	
9-3764		DEVELOPMENT:		
SEE NOTE 1				
10-36559		SIZE: C	CODE IDENT NO. 77820	10-36565
10-36560		SCALE: NONE	WT	
NEXT ASSEMBLY		REF	SHEET 1 OF 2	

1. ENGINEERING SOURCE APPROVAL REQUIRED.

NOTES:

D

C

B 10-36565

A

R

2

4

3

2

1

PART NUMBER	A DIA	B DIA	C	D REF	E	F DIA	G	H	J	K	RELEASE
10-36565-284	1.032	.938	.094	.532	.344	.750	.281	.141	.938	.469	24708-41 INACTIVE
--321	1.344	1.250	.125	.781	.531	.375	.281	.141	1.250	.625	24708-41
--322						.625					
-323						.875					
-324						1.000					24600-4
-325						1.062					38532-36
-326						1.125					38532-48
-331	1.625	1.531				1.250			1.531	.766	32524-172 C2
-332						1.328					32524-172 C2
-333						1.156					36536-168
-361	1.469	1.375				.625			1.375	.688	24708-41
-362						.875					
-363						1.000					
-364						1.125					25600-4
-371	1.812	1.719				1.375			1.719	.860	32524-172 C2
-372						1.469					36536-102
-373						1.531					
-401	1.719	1.625				.625			1.625	.812	24708-41 C2
-402						.875					
-403						1.000					
-404						1.125					
-411	2.125	2.031				1.656			2.031	1.016	
-441	2.369	2.219				2.000			2.219	1.109	
-442						1.906					36524-502
-443						1.750					36536-129
-481	2.588	2.438				2.000			2.438	1.219	
-482	2.588	2.438				2.188			2.438	1.219	38536-119

REL NO.		REVISIONS		
CHG NO.	SYM	DESCRIPTION	DATE	APPROVED
	A2 B	SEE SHEET 1 FOR ALL CHANGES		

ITEM	QTY REQD	PART NUMBER	DESCRIPTION	NOTE
PARTS LIST				
UNLESS OTHERWISE SPECIFIED				
LINEAR DIMENSIONS ARE IN INCHES.				
TOLERANCES: .XXX ± .010,				
.XX ± .03, .X ± .1, ANGLES ± 2°.				
OTHER STANDARDS PER 9-3800				
AND MIL-STD-8. NOTE REF				
MATERIAL SPEC		PROCESS SPEC		
SEE SHEET 1				
10-36560				
10-36559				
NEXT ASSEMBLY				

DRAWN: B.F.		DATE: 10-6-49	
CHECKED: <i>Balantia</i>		DATE: 8-24-67	
MATERIAL: <i>RPE 8/24/67</i>			
STANDARDS: <i>Balantia</i>			
DRAFTING: <i>Edmet</i>			
ENGINEERING: <i>M. J. ...</i>			
DEVELOPMENT:			
THE Bendix CORPORATION		ELECTRICAL COMPONENTS DIVISION	
		SIDNEY NEW YORK, U.S.A.	
TITLE: GROMMET, CABLE CLAMP			
SIZE: C	CODE IDENT NO.: 77820	10-36565	
SCALE: NONE	WT:	REF:	SHEET 2

SEE SHEET 1
NOTES:

E 1036565

X-ON Electronics

Largest Supplier of Electrical and Electronic Components

Click to view similar products for [Circular MIL Spec Tools, Hardware & Accessories](#) *category:*

Click to view products by [Amphenol](#) *manufacturer:*

Other Similar products are found below :

[809-199-3](#) [001104](#) [300 04](#) [600-006-16](#) [600-079-06](#) [M10-101982-143](#) [M10-101982-163](#) [M10-101983-183](#) [M10-150912-083](#) [M10-454396-008](#) [602GB18808](#) [M225201-06](#) [M24758-20E21](#) [M2887610-BC](#) [M2887615-CD](#) [M38999/9-19B](#) [62GB-812-10](#) [630A007NF083A](#) [630B007M051A](#) [630BJ003NF032H](#) [637-149NF04B](#) [M39029/29-215](#) [650FS002NF16](#) [M81969-14-02](#) [660-008NF14S7-01](#) [660-009M22H8-03](#) [660-013NF19U6-210](#) [660-015M10S6-17](#) [660-015NF10S5-01](#) [660-015NF14R3.5-01](#) [660-023NF19H6-19](#) [660-024N09S5-104](#) [660-024NF11S12-01](#) [660-024NF11S3-01](#) [660-050XM17F4-01](#) [660-068NF25R6-30G](#) [660-070M23S8-04](#) [660-073MTCH9-20](#) [M83723/60-116RC](#) [M83723/61-18W](#) [M83723/61-218R](#) [M83723/61-224W](#) [667-224NF16](#) [M85049/118S22A](#) [M85049/126S11N](#) [M85049130-07M](#) [M85049140-09BC](#) [M85049/41-16A W/B](#) [687-697NF-1](#) [M85049/75-14-1](#) [M8504980-8](#)