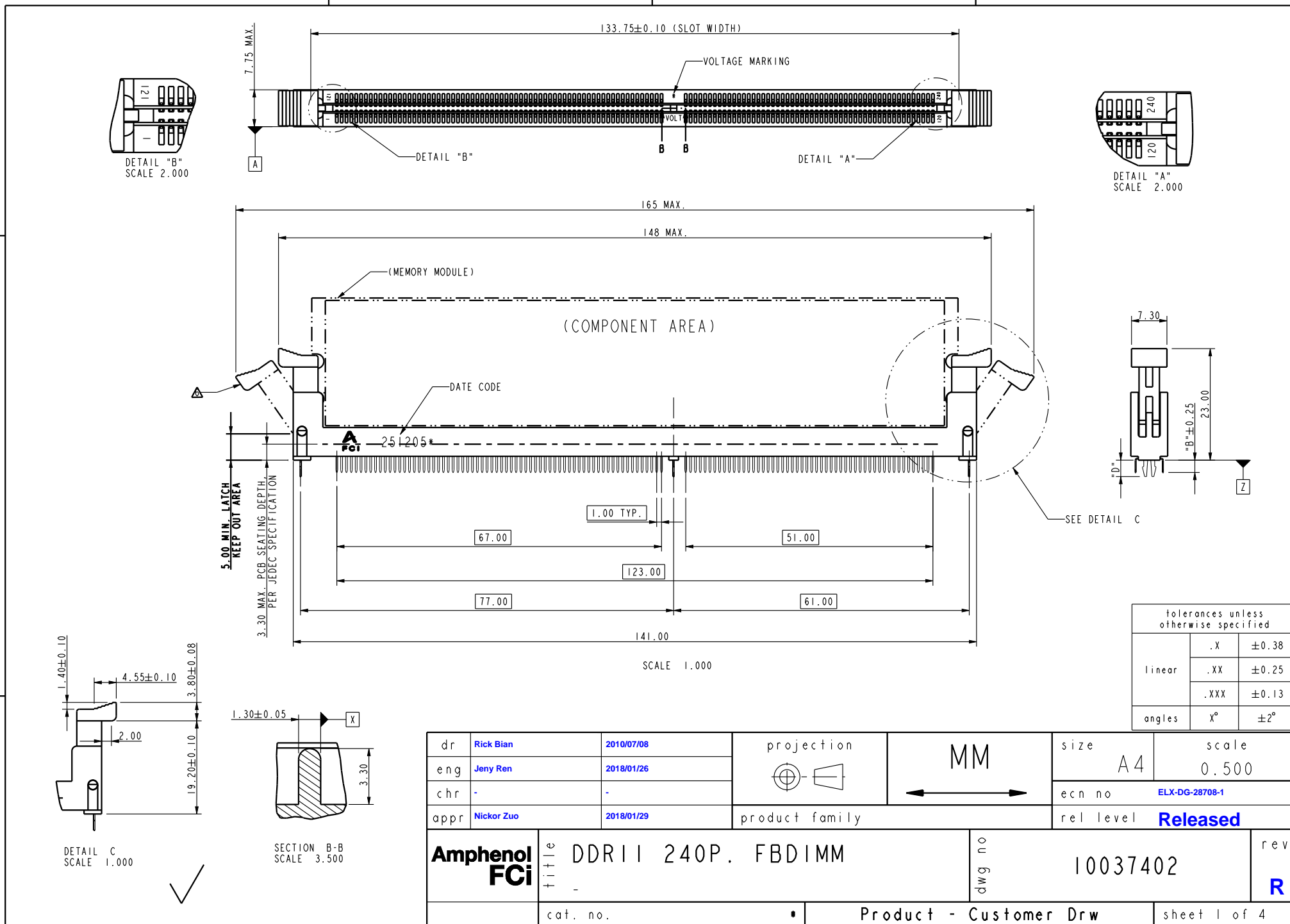


Amphenol
FCi

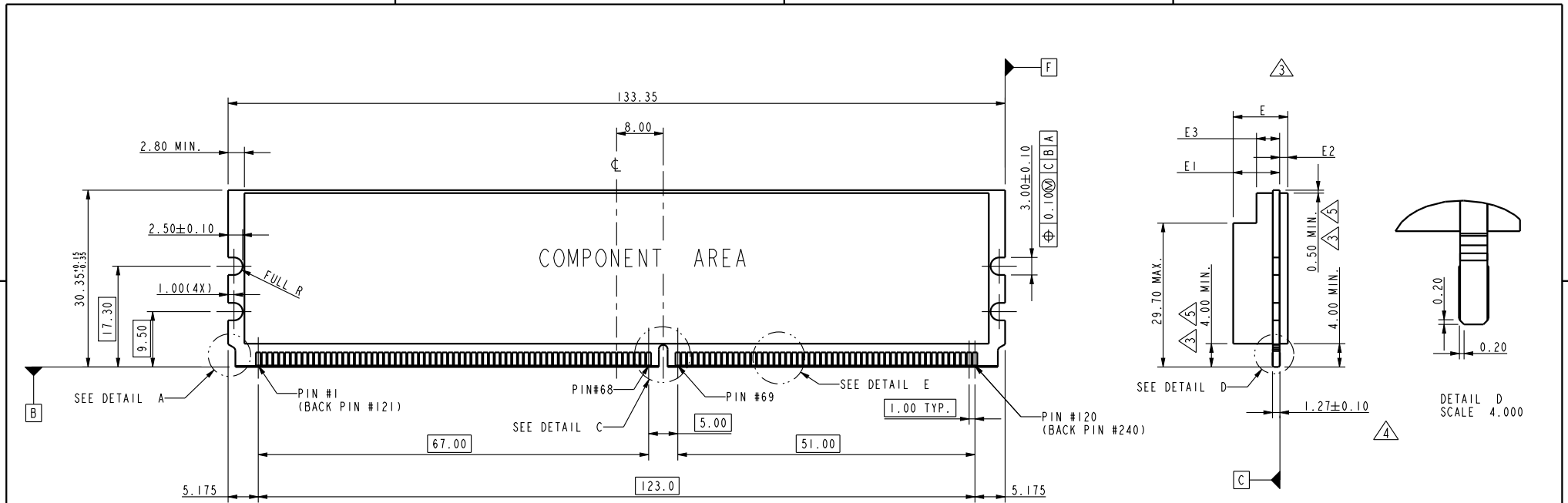
© 2016 AFCI



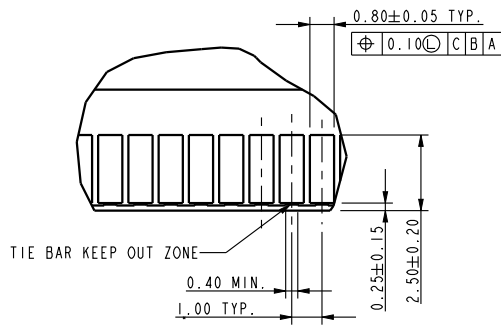
Creo File - REV E - 2016-02-12

tolerances unless otherwise specified		
linear	.X	±0.38
	.XX	±0.25
	.XXX	±0.13
angles	X°	±2°

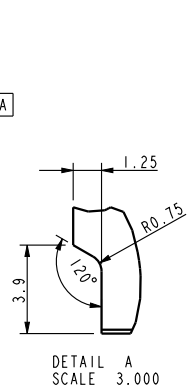
dr	Rick Bian	2010/07/08	projection	MM	size	A4	scale	0.500	
eng	Jeny Ren	2018/01/26			ecn no	ELX-DG-28708-1			
chr	-	-			rel level	Released			
appr	Nickor Zuo	2018/01/29	product family			rev			
Amphenol FCI		title			DDRII 240P. FBDIMM		dwg no		10037402
		cat. no.			Product - Customer Drw		sheet		1 of 4
							R		



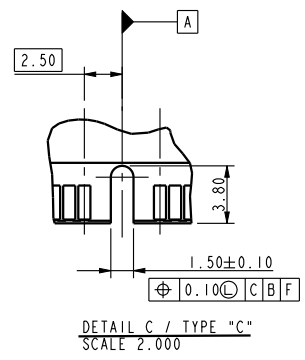
SCALE 1.000
RECOMMENDED MODULE LAYOUT (PER JEDEC MO-256)



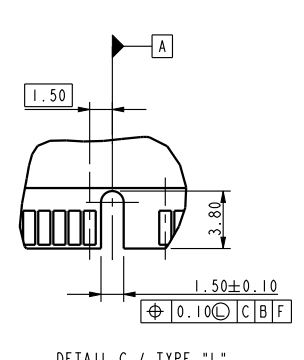
DETAIL E
SCALE 4.000



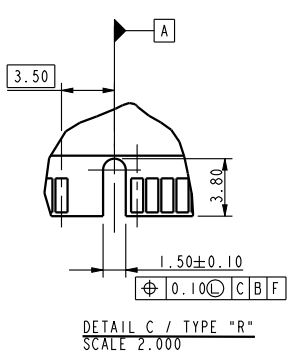
DETAIL A
SCALE 3.000



DETAIL C / TYPE "C"
SCALE 2.000



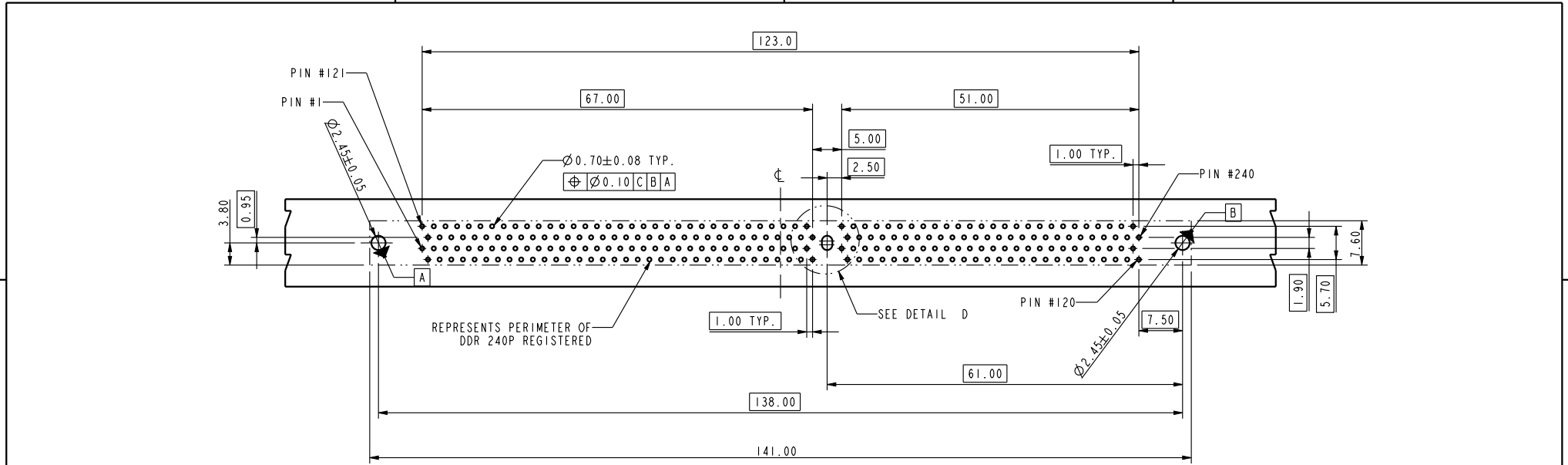
DETAIL C / TYPE "L"
SCALE 2.000



DETAIL C / TYPE "R"
SCALE 2.000

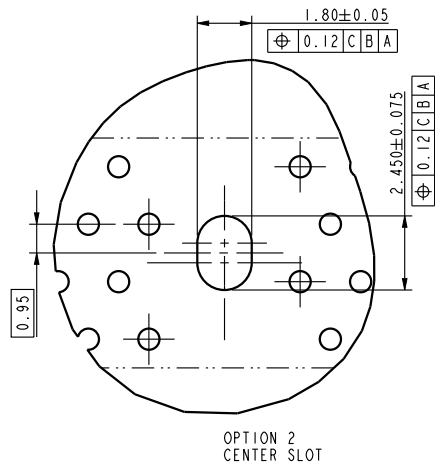
tolerances unless otherwise specified		
linear	.X	±0.38
	.XX	±0.15
	.XXX	±0.13
angles	x°	±2°

dr	Rick Bian	2010/07/08	projection 	MM 	size	A4	scale	0.500	
eng	Jeny Ren	2018/01/26			ecn no	ELX-DG-28708-1			
chr	-	-			rel level	Released			
appr	Nickor Zuo	2018/01/29	product family		rev	10037402			
Amphenol FCI		title			DDR11 240P. FBDIMM		cat. no.		Product - Customer Drw
✓		dwg no			10037402		sheet 2 of 4		R

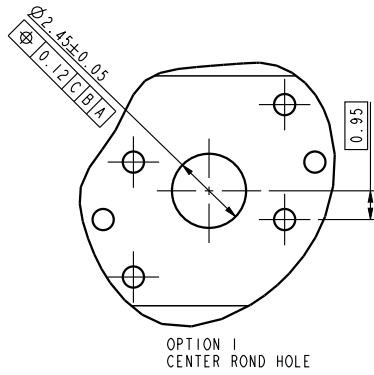


RECOMMENDED CIRCUIT BOARD HOLE LAYOUT
SCALE 1.000

DETAIL D
SCALE 4.000



OPTION 2
CENTER SLOT



OPTION 1
CENTER ROUND HOLE

SUB KEY POS. #1	DESCRIPTION	TYPE 1				TYPE 2			
		DIM. E1 MAX.	DIM. E2 MAX.	DIM. E3 MAX.	DIM. E MAX.	DIM. E1 MAX.	DIM. E2 MAX.	DIM. E3 MAX.	DIM. E MAX.
TYPE R	X.X VOTAGLE	6.80	1.40	2.80	8.20	6.80	3.00	4.40	9.80
TYPE L	2.5 VOLTAGE	6.80	1.40	2.80	8.20	6.80	3.00	4.40	9.80
TYPE C	1.8 VOLTAGE	6.80	1.40	2.80	8.20	6.80	3.00	4.40	9.80

dr	Rick Bian	2010/07/08	projection 	MM ←→	size	A4	scale	0.500	
eng	Jeny Ren	2018/01/26			ecn no	ELX-DG-28708-1			
chr	-	-			rel level	Released			
appr	Nickor Zuo	2018/01/29	product family				rev	R	
Amphenol FCI		title			DDR11 240P. FBDIMM			dwg no	10037402
cat. no.		*			Product - Customer Drw			sheet 3 of 4	

10037402-□ □ □ □ □

STYLE : MECHANICAL KEYING

- 1 : 1.8 VOLT. W/TYPE "C"
- 2 : 2.5 VOLT. W/TYPE "L"
- 3 : X.X VOLT. W/TYPE "R"

PLATING

CODE	CONTACT	SOLDERTAIL	UNDERPLATE
2	15 u"(0.38um) MIN. GOLD	100u"(2.54um) MIN. TIN/LEAD	50u"(1.27um) MIN. NICKEL OVERALL
3	30u"(0.76um) MIN. GOLD		
4	3u"(0.076um) MIN. GOLD		
7LF	15u"(0.38um) MIN. GOLD	100u"(2.54um) MIN. 100% TIN	50u"(1.27um) MIN. NICKEL OVERALL
8LF	30u"(0.76um) MIN. GOLD		
9LF	3u"(0.076um) MIN. GOLD		
2N	15 u"(0.38um) MIN. GOLD	100u"(2.54um) MIN. TIN/LEAD	90u"(2.29um) MIN. NICKEL OVERALL
3N	30 u"(0.76um) MIN. GOLD		
4N	3 u"(0.076um) MIN. GOLD		
7NLF	15 u"(0.38um) MIN. GOLD	100u"(2.54um) MIN. 100% TIN	90u"(2.29um) MIN. NICKEL OVERALL
8NLF	30 u"(0.76um) MIN. GOLD		
9NLF	3 u"(0.076um) MIN. GOLD		

**METAL CLIP
(WITH NI 1.27 um MIN. PLATING)**

- 1 : WITH METAL CLIP + DIM."D"=3.05
- 2 : WITH METAL CLIP + DIM."D"=3.56
- 3 : WITH METAL CLIP + DIM."D"=3.43

TAIL LENGTH

CODE	DIM. "B"	PCB THICKNESS
0	2.54	1.47 mm (0.058")
1	2.67	1.60 mm (0.063")
2	3.18	2.36 mm (0.093")
3	4.00	3.18 mm (0.125")

COLOR OF HOUSING AND EJECTOR

- 0 : BLACK HOUSING + IVORY EJECTOR
- 1 : BLUE HOUSING + IVORY EJECTOR
- 2 : BLACK HOUSING + BLACK EJECTOR
- 3 : IVORY HOUSING + IVORY EJECTOR

NOTE:

1. MATERIAL:
HOUSING: HIGH PERFORMANCE RESINS, GLASS FILLED UL94V-0 RATED.
EJECTOR: HIGH PERFORMANCE RESINS, GLASS FILLED UL 94V-0 RATED.
TERMINAL : COPPER ALLOY.
METAL CLIP: COPPER ALLOY.
2. PRODUCT SPECIFICATION: GS-12-300.
DIMENSIONS APPLICABLE WHEN COMPONENTS MOUNTED ON ONE OR BOTH SIDES.
CARD THICKNESS APPLIES ACROSS TABS AND INCLUDES PLATING AND/OR
REALIZATION STRAIGHTNESS CALLOUT APPLIES TO ZONE DEFINED BY THE 4.00 CONTACT
AREA DIMENSION FOR THE ENTIRE LENGTH OF 133.35.
BOARD OF COMPONENT AREA.
3. LATCH DESIGN INCLUDES COMPLEMENTARY FEATURE TO ACCOMMODATE MODULE
END NOTCHES AS DEFINED IN DETAIL A OF P.2 AND AS SPECIFIED IN MO-256.
7. THIS PRODUCT MEETS EUROPEAN UNION DIRECTIVES AND OTHER COUNTRY REGULATIONS
AS DESCRIBED IN GS-22-008.
8. THE HOUSING WILL WITHSTAND EXPOSURE TO 260°C PEAK TEMP. FOR 10 SECONDS IN A WAVE
SOLDER APPLICATION
9. 10037402-XXXXX(X)LF SERIES ARE FOR LEAD-FREE OPTIONS.
10. DATE CODE:XXXXXX* SHOWS DAY/MONTH/YEAR."*" MEANS PRODUCTION LINE CODE.



dr	Rick Bian	2010/07/08	projection 	MM 	size	A4	scale	0.500
eng	Jeny Ren	2018/01/26			ecn no	ELX-DG-28708-1		
chr	-	-			rel level	Released		
appr	Nickor Zuo	2018/01/29	product family		rev	10037402		R
Amphenol FCi		DDR11 240P. FBDIMM			cat. no.	Product - Customer Drw		sheet 4 of 4

X-ON Electronics

Largest Supplier of Electrical and Electronic Components

Click to view similar products for [DIMM Connectors](#) category:

Click to view products by [Amphenol](#) manufacturer:

Other Similar products are found below :

[1-1932649-2](#) [1-1761024-0](#) [2309411-5](#) [1932180-2](#) [0783590111](#) [0783590001](#) [0877051053](#) [10079248-11103LF](#) [10086891-052TSLF](#)
[10116658-252ASLF](#) [59355-052FSLF](#) [5390471-1](#) [10074146-13211LF](#) [10079248-10202LF](#) [2309407-3](#) [10033853-052ASLF](#) [87782-6003](#) [KIT-](#)
[SODIMM-1X16GB/01](#) [0780350001](#) [0878030012](#) [75.963AT.G020C](#) [78.B1GDE.AF1](#) [10078239-11103LF](#) [6-390322-1](#) [2013311-1](#) [2309410-1](#)
[10116658-052FSLF](#) [10116658-152FSLF](#) [1-1735438-3](#) [78730-1002](#) [78726-1002](#) [2013310-1](#) [390111-1](#) [1735438-3](#) [78373-0011](#) [2308107-1](#) [2-](#)
[2308107-1](#) [2309411-1](#) [5-1746530-4](#) [2309408-1](#) [2309409-1](#) [2309412-1](#) [151134-0001](#) [2309413-1](#) [296406200001856+](#) [2309407-1](#) [FCN-](#)
[074J240-G/1D](#) [FCN-074B288-G/2D](#) [2309414-1](#) [10081530-12208LF](#)