

# MINIATURE JACK CONNECTOR

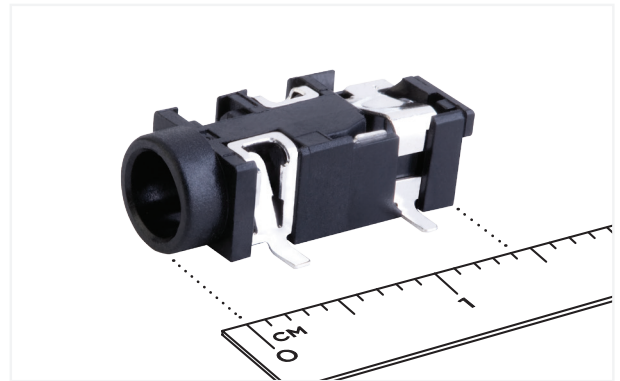
3.5mm diameter

## OVERVIEW

FCI's 3.5mm diameter miniature jack connector is a family of connectors used for analog signals, primarily audio.

Available in 3 to 5 contacts, the connector comes with innovative contact design for robustness and high mating cycles. The miniature jack connector is designed with Surface Mount (SMT) termination.

This solution is commonly used for composite video and audio output in consumer electronics devices such as digital cameras, camcorders, and portable DVD players.



## FEATURES

- 3 to 5 contacts configuration available
- Robust diecast keyed shell
- Designed with Surface Mount (SMT) termination
- Solid and rigid contact design
- UL94V-0 flammability material available
- RoHS compliant and lead-free

## BENEFITS

- Caters to different application requirement
- Innovative design for robustness
- Flexible platform design enables 3.5mm diameter version
- Enables up to 5,000 mating cycles
- High flammability rating
- Meets environmental, health and safety requirements



## TECHNICAL INFORMATION

### MATERIALS

- Housing: High temperature thermoplastic, UL94V-0, Black
- Contact: Titanium Alloy with Silver and Gold Flash plating

### ELECTRICAL PERFORMANCE

- Contact Resistance: 50mΩ max.
- Insulation Resistance: 100MΩ min.
- Current Rating: 1A
- Dielectric Withstand Voltage: 500VDC

### ENVIRONMENTAL

- Operating Temperature: -25°C to +85°C

### MECHANICAL PERFORMANCE

- Mating and Unmating Force: 0.3 to 2.5kgf after 5,000 cycles life test
- Durability: 5000 mating cycles

### SPECIFICATIONS

- Product Specification: GS-12-280
- Packaging Specification: GS-14-903

## PART NUMBERS

Description	Part Number
Miniature Jack Connector	10038075

### APPROVALS AND CERTIFICATIONS

- RoHS compliant

### PACKAGING

- Tape and Reel

### TARGET MARKET/APPLICATIONS

- Consumer
  - Tablet
  - Camcorder
  - Smart Phone
  - Digital Camera
  - Mini Speaker
  - Portable DVD Player
  - Stereo Bluetooth Receiver
  - Mini Bluetooth Music Receiver
  - Closed Circuit Television (CCTV)
- Data
  - Laptop
  - Desktop PC Cabinet
  - HDMI to VGA Audio Converter
  - Digital to Analog Audio Converter

INOMINIJACK0815EA4

## X-ON Electronics

Largest Supplier of Electrical and Electronic Components

*Click to view similar products for [Phone Connectors](#) category:*

*Click to view products by [Amphenol](#) manufacturer:*

Other Similar products are found below :

[M444B](#) [6J1041A](#) [R4F](#) [E12BPKG](#) [ECP4PKG](#) [161-3502L-E](#) [MT333X](#) [171-0350-EX](#) [171-101A-EX](#) [171-3325-EX](#) [176S](#) [NC3MG-V](#)  
[NYS228G](#) [P10834](#) [P2380](#) [P2381X](#) [P2411X](#) [P2412](#) [P2724](#) [JM2PB-AU BULK](#) [9144](#) [S2674](#) [280L](#) [163-156N-2-E](#) [163-158N-2-E](#) [171-3308-](#)  
[EX](#) [171-3500-E](#) [2501FT](#) [CMT335](#) [M10662](#) [330Q](#) [RJ5VI-S](#) [40116](#) [TM1R-AU](#) [TM2PBMJ-AU](#) [TM2PJ-AU](#) [TM2PJ-AU BULK](#) [4803.1351](#)  
[49201](#) [49205](#) [TS3PBJ-AU](#) [TS3PBMJ-AU](#) [TT32BX](#) [54B](#) [40112](#) [40205](#) [XMT332B](#) [52170017-331](#) [570](#) [NM3](#)