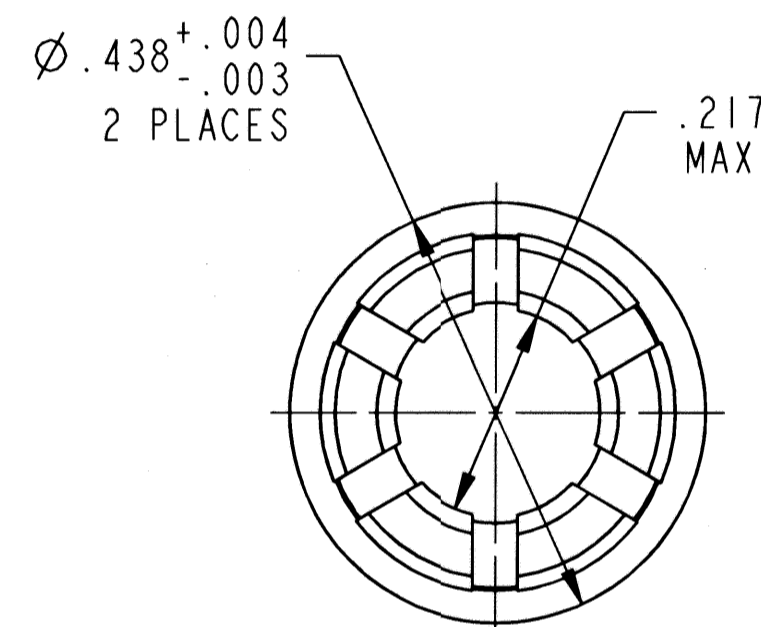
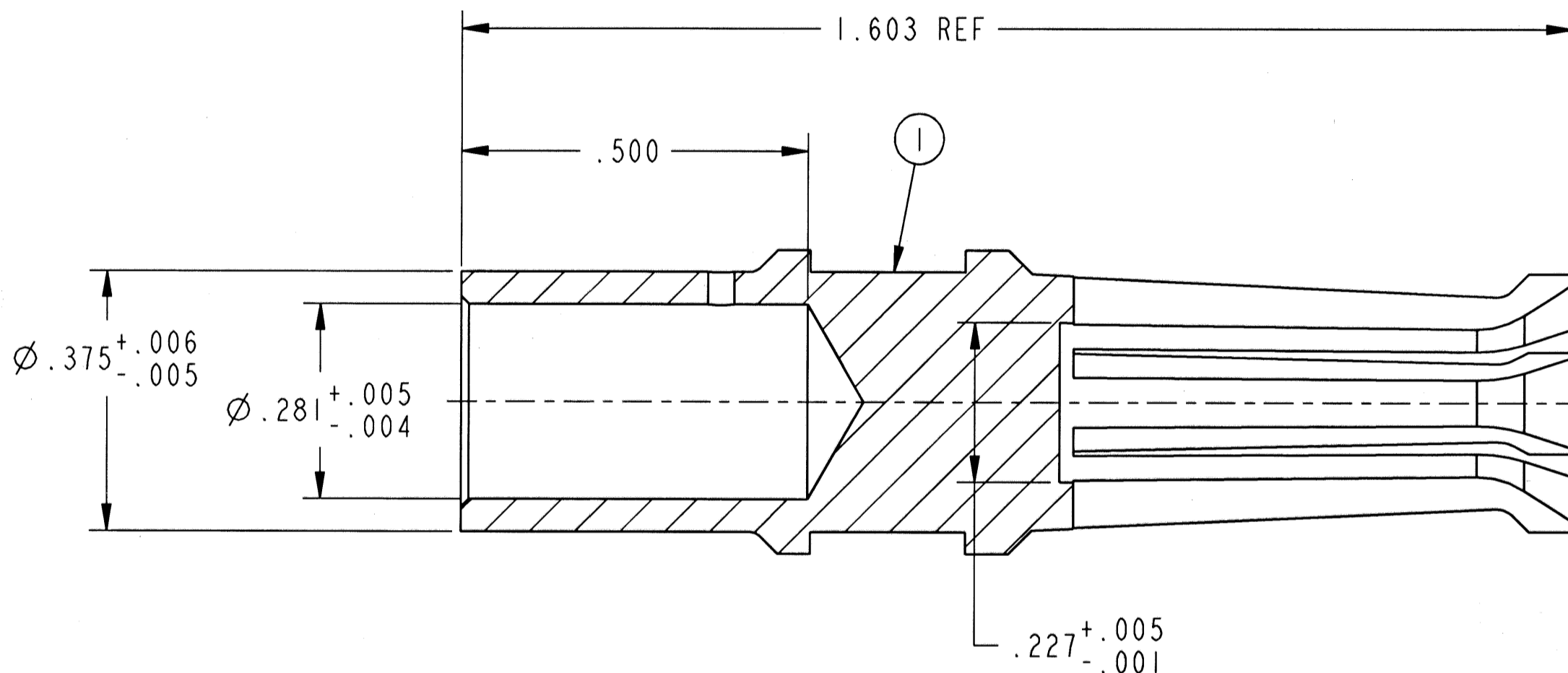
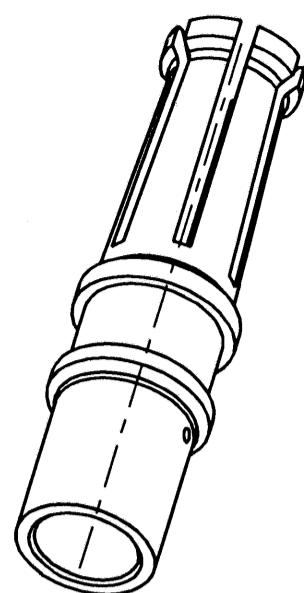


REVISIONS			
LTR	DESCRIPTION	DATE	APPVD
C	(CL 11) SEE CHANGE NOTICE ECN: 88492	11-20-00 PRESCOTT	<i>Prescott</i>



4. MEAN SURFACE AREA 3.1937 SQ IN.
3. SILVER PLATE .0002-.0004 THICK PER 9-1882.
PROTECTIVE TREAT PER 9-3264.
2. ALL DIMENSIONS ARE AFTER PLATING.
1. A $\phi .2260^{+.0002}_{-.0000}$ HARDENED STEEL PIN
MUST ENGAGE SOCKET WITH A FORCE NOT GREATER
THAN 11 LBS. FOLLOWING THIS A $\phi .2240^{+.0000}_{-.0002}$
HARDENED STEEL PIN SHALL DISENGAGE SOCKET
WITH A FORCE NOT LESS THAN 20 OZ. DEPTH OF
ENGAGEMENT SHALL BE .594 MIN. FROM FRONT
OF CONTACT. PINS SHALL HAVE A FINISH OF $\sqrt{3}$

NOTES:

THE USE OF THIS DOCUMENT IS UNLIMITED.
HOWEVER, DOCUMENTS REFERENCED HEREON
MAY CONTAIN LIMITED RIGHTS DATA.

COMPANY ID: 9 CODED/MS/CUST: N N/A
INTERNAL: N LOT NO: N
DATE CODE: N SEE DRAW: N N/A

STAMPING DATA NEXT ASSEMBLY

UNLESS OTHERWISE SPECIFIED

SPECIFICATIONS

MATERIAL SPEC. N/A

PROCESS SPEC. SEE NOTE 3

LINEAR DIMENSIONS ARE IN INCHES

TOLERANCES:

.XXXX = ± .0005
.XXX = ± .010
.XX = ± .03
.X = ± .1

ANGLES = ± 2°

OTHER STANDARDS PER 9-3800 AND DOD-D-1000

THIRD ANGLE PROJECTION

POS	QTY	10-40565-B	CONTACT	NOTE
		PART NUMBER	DESCRIPTION	
PARTS LIST				
AMPHENOL CORPORATION <small>AEROSPACE OPERATIONS STONEY, N.Y.</small>				
CONTACT, SOCKET, CRIMP SIZE 4 SILVER PLATED				U
APPROVALS		DATE		
PREPARED D. MARSHALL		11-Nov-98		
CHECKED A. PRESCOTT		12-22-98		
MATERIAL J. FOGARTY		12-22-98		
APPROVED D. MARSHALL		12-22-98		
APPROVED R. BARNES		12-22-98		
PROJ/ENG INFORMATION 10-40565.PART 10-40565		SIZE C	FSCM NO. 77820	DOCUMENT NO. 10-40565
SCALE: 5.0		REF: 10-101515-4S	SHEET 1 OF 1	

FAMCODES DATA3: GTCBNS CIGS:

X-ON Electronics

Largest Supplier of Electrical and Electronic Components

Click to view similar products for [Circular MIL Spec Contacts](#) category:

Click to view products by [Amphenol](#) manufacturer:

Other Similar products are found below :

[006-0984-20](#) [006-1186-20](#) [601101N004](#) [CT0E20-22SS](#) [CT1N20-23SS](#) [CT2-36-10PCAU](#) [CT6F36-10PCA152](#) [M39029/106-616](#) [M39029/18-179](#) [M39029/30-222](#) [M39029/31-235](#) [M39029/48-318](#) [M39029/73-397](#) [M39029/9-133](#) [M39029/9-134](#) [M5000-054-0020L](#) [M5100-057-2162](#) [809-023](#) [809-111](#) [811393-000](#) [850-014](#) [FRCIR01-20-4S-F80-VO](#) [900062-6-8L](#) [97-45-1418P-5\(920\)](#) [97-45-1418S-4](#) [97-45-1622P-5](#) [97-45-1622S-4\(920\)](#) [97-45-1622S-5](#) [97-55-1622S-5](#) [D-602-0104CS076](#) [D-602-0106CS076](#) [AIC12-10P](#) [AIC12-12SG](#) [AIC12-14P](#) [AIC16-16PG](#) [AIC16-2024SG](#) [AIC16S-16PG](#) [AIC8-12P](#) [AIC8-12S](#) [AIC8-8SG](#) [AIC8-8SRAD](#) [1495044-1](#) [BA-4016-50LD](#) [162GB-149-20000-05](#) [BACC47CP2T](#) [BACC47DP4](#) [BACC47GC1A](#) [BACC47GN1](#) [173-900245-91](#) [CA02R28-12PA152F80](#)