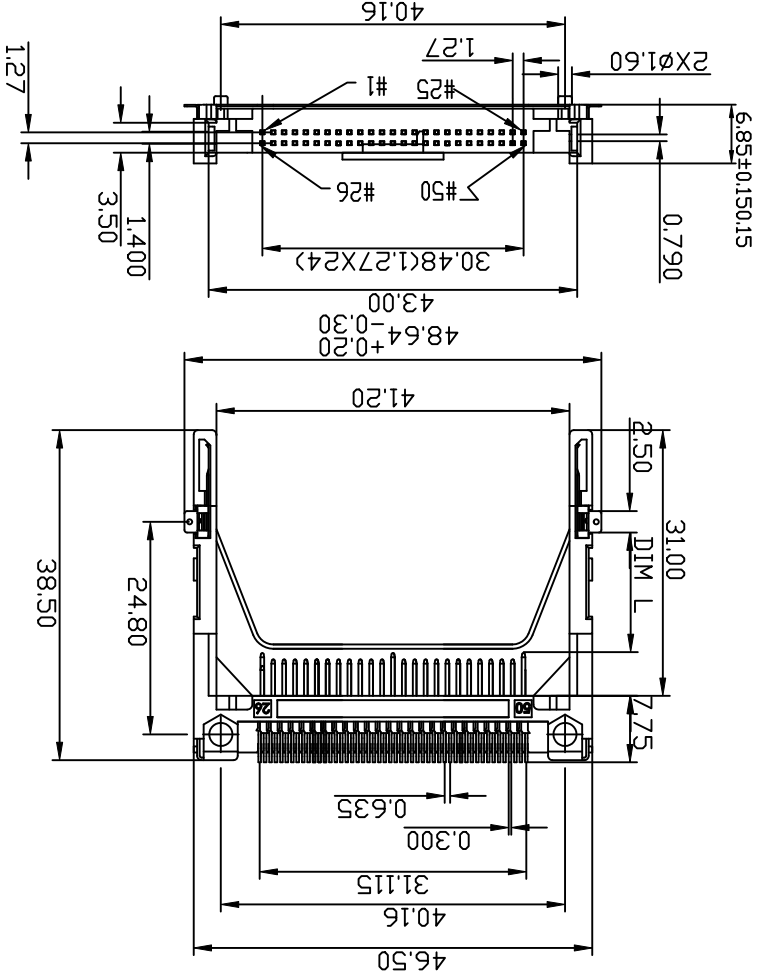




PIN NUMBER	25,26
DIM. L	3,50
	4,25
ALL OTHER PINS	5,00
1, 13, 38, 50	

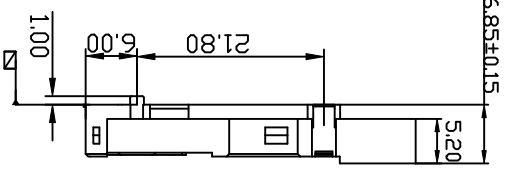


NOTES :
 1. MATERIAL :
 INSULATOR : HIGH TEMPERATURE THERMOPLASTIC
 FLAMMABILITY RATING: UL94V-0
 COLOR: IVORY
 CONTACT : COPPER ALLOY
 GROUND MOUNTING EAR: COPPER ALLOY

2. PLATING :
 CONTACT AREA: SELECTIVE GOLD (SEE P/N DESCRIPTION)
 UNDER PLATING: 50µ" NICKEL OVERALL
 SOLDER TAIL AREA: 100µ" TIN/LEAD OR 100µ" MATTE TIN.
 GROUND MOUNT EAR AREA: 100µ" TIN/LEAD OR 100µ" MATTE TIN.

3. SOLDER TAILS TO BE WITHIN 0.05 UPWARD
 AND 0.2 DOWNWARD FROM Z-DATUM PLACE,
 AND COPPLANARITY OF SOLDER TAILS TO BE
 WITHIN 0.10mm.

4. PRODUCT SPEC: GS-12-240.
 5. PACKAGING SPEC: GS-14-980.



mat'l. code		tolerances unless otherwise specified		CUSTOMER COPY		title		www.fciconnect.com	
lfr	ecn no	dr	date	linear	angles	projection	CF HEADER TYPE II REVERSE	product family	CF
A	T04-0429	A.C.	12/16/04	.XX ± 0.20	0 ±.2	MM	S/O=0.0MM	product family	CF
B	T05-0256	A.C.	11/09/05	.XXX ± 0.10				product family	CF
C	T06-0172	A.C.	10/09/06					product family	CF
D	T09-1098	S.LIN	07/09/09					product family	CF
E	T09-1114	S.LIN	09/03/09					product family	CF
F	T09-1144	S.LIN	11/27/09					product family	CF
sheet		revision		scale		size		sheet	
1	F	1	F	12/16/04	12/16/04	MM	dwg no	10044079	1 of 2
2	F	2	F	12/16/04	12/16/04	MM	dwg no	10044079	1 of 2

ACAD

PDM: Rev: F

3

STATUS: Released

cage code

Printed: Dec 01, 2009

4

1 | 2

1 | 2

3

4



1 | 2

1 | 2

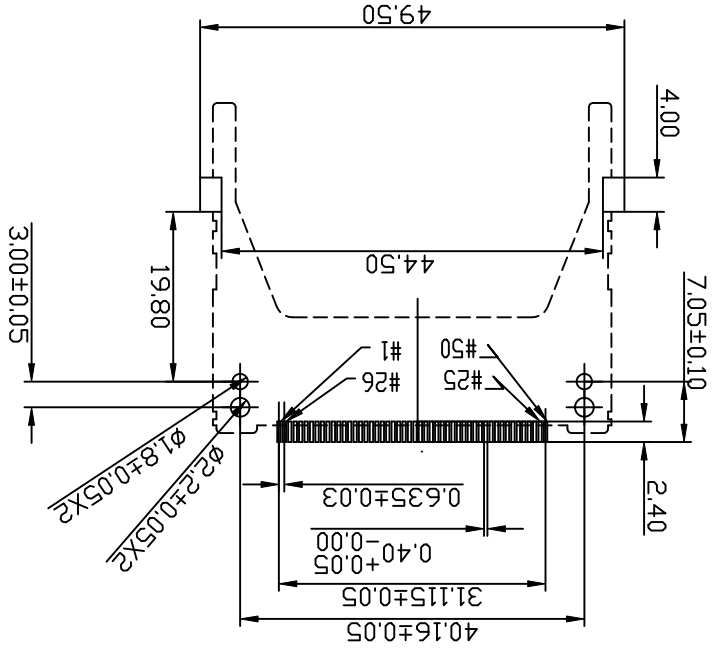
6.Part Number Description:

P/N: 10044079-XX50XX

- PIN COUNT.
- KEY TYPE:
- 1: REVERSE TYPE
- GOLD PLATING:
- B: 10u" GOLD PLATE
- E: 30u" GOLD PLATE
- PLATING ON SOLDER TAIL AREA:
- BLANK: 100u" TIN/LEAD.
- LF: 100u" MATTE TIN.
- BLANK: WITHOUT CAP+TRAY PACKING
- 2: WITH CAP+TRAY PACKING
- 3: WITH CAP+T&R PACKING

7. THE HOUSING WILL WITHSTAND EXPOSURE TO 260°C PEAK TEMPERATURE FOR 10 SECONDS IN A CONVECTION, IR OR VAPER PHASE REFLOW OVEN.
 8. THIS PRODUCT (10053868-XXXXXXLF) MEETS THE EUROPEAN UNION DIRECTIVE AS DESCRIBED IN GS-22-008.

General Tolerance +/-0.05mm
 Recommended PCB Pattern



mat'l. code		tolerances unless otherwise specified		CUSTOMER COPY		www.fciconnect.com	
ltr	ecn no	dr	date	.X ± 0.30	linear	angles	0 ± .2
F	-	-	-	.XX ± 0.20	linear		.XXX ± 0.10
				dr	ALLEN CHANG	12/16/04	MM
				engr	ALLEN CHANG	12/16/04	MM
				chr	STERLING LIN	12/16/04	NA
				opd	H.C LIU	12/16/04	NA
sheet	revision	index		sheet			

B

A

4

3

X-ON Electronics

Largest Supplier of Electrical and Electronic Components

Click to view similar products for [Memory Card Connectors](#) category:

Click to view products by [Amphenol](#) manufacturer:

Other Similar products are found below :

[M10-597810-355](#) [M21-033321-005](#) [6426-201-21343](#) [69.920.0553.0](#) [MCR60A-98D-2.54DSA\(70\)](#) [FCN-568P068-G/07-4V](#) [809180410000000](#)
[95622-003LF](#) [DM3AT-SF-PEJM5\(41\)](#) [EN2997S72039F6](#) [N7E50-7516PG-20-WF](#) [IC11S-BUR-PNEJL\(71\)](#) [NX30TA-15PAA\(50\)](#) [21920-5](#)
[2041353-2](#) [FUA006-3220-0](#) [33CFAE-DN](#) [MI21A-50PD-SF-EJR\(91\)](#) [502431-1011](#) [5175651-2](#) [10-247926-166](#) [EN2997S02039B8](#)
[EN2997S61212BN](#) [EN2997S72039B6](#) [EN2997SE02039B8](#) [EN2997SE61212BN](#) [EN2997SE72039B6](#) [71-252718-32P](#) [NX1-32T-KT3K\(05\)](#)
[95622-003LF](#) [91-570124-15P](#) [192900-0488](#) [DM1AA-SF-PEJ](#) [95079-00CALF](#) [84648-056HLF](#) [68-580163-21S](#) [33DVIR-29S12R](#)
[SF58S006VBRR2000](#) [93-570123-08P](#) [GMC020080HR](#) [125A-78C00](#) [1010040575#](#) [MI20A-50PD-SF-EJL\(71\)](#) [KP10S-SF-PEJ\(812\)](#)
[DM1AA-SF-PEJ\(31\)](#) [FO-10GGBLCX20-002](#) [504536-0691](#) [115S-ACA2](#) [115S-ACA3](#) [115S-BS00](#)