

PRODUCT NUMBER

10050682-X XX H T LF

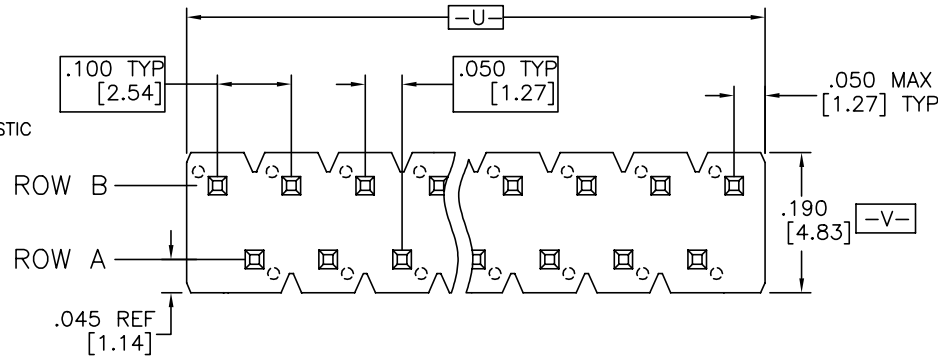
LEAD FREE OPTION
SPECIAL OPTIONS
SEE NOTE 7

HIGH TEMPERATURE PLASTIC
SEE NOTE 1

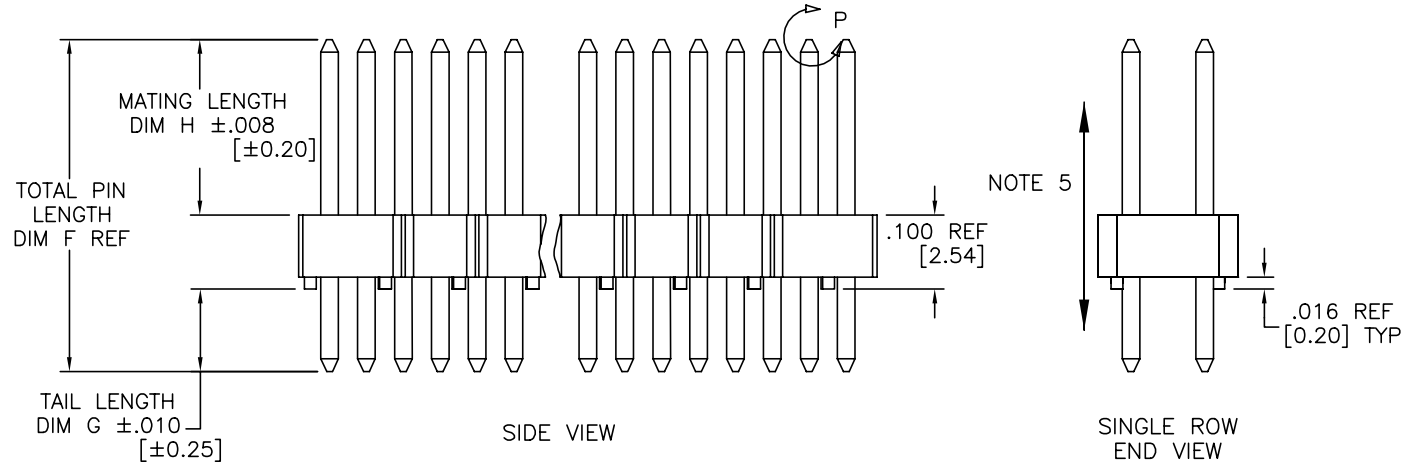
NO. OF POSITIONS
SEE NOTE 10

PIN PLATING
SEE SHEET 2

BASE PART NO.



TOP VIEW

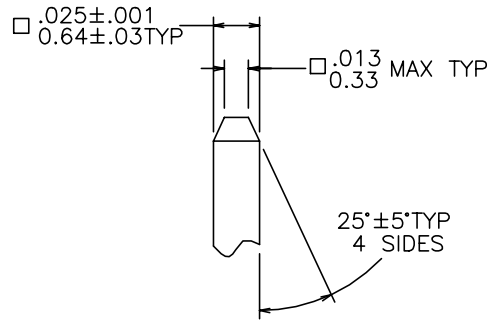


SIDE VIEW

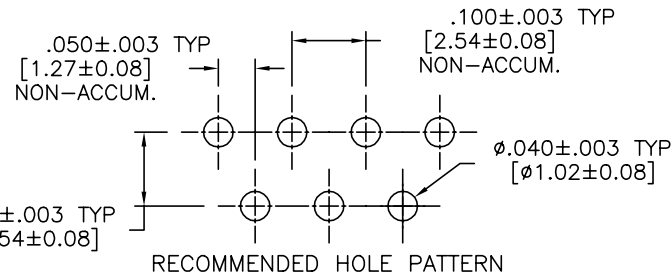
SINGLE ROW END VIEW

⊕ ⌀.020/.51 Ⓜ U Ⓜ V Ⓢ

NOTE 3



DETAIL P
TYP BOTH ENDS



RECOMMENDED HOLE PATTERN

mat'l. code		surface ISO 1302 ✓	tolerance ISO 406 ISO 1101	projection INCH/MM	product family BERGSTIK
l	tr	ec	n	o	d
A	V05-0169	DAI	2/16/05	title BERGSTIK® II HEADER	
B	V05-0251	HTB	3/17/05	.100/2.54cc STAG. ROW	
C	M05-0098	MHT	5/23/05	scale 1:1	dwg no 10050682
D	M05-0177	MHT	8/11/05	dr T. BRUNGARD	sheet 1 of 2 size A3
E	M06-0271	AGS	7/14/06	engr H. SUNDY	
F	M08-0279	MHT	9/30/08	chr H. SUNDY	
G	BL-N-17142	ZK	03/07/14	appd H. SUNDY	
sheet	revision	G	G	G	
index	sheet	1	2	3	

FCI
FCIconnect.com

Copyright FCI

PRODUCT NUMBER	TOTAL PIN LENGTH		TAIL LENGTH		MATING LENGTH		NO. OF PINS ROW A	NO. OF PINS ROW B	PACKAGING	DWG TUBE
	DIM F	DIM F	DIM G	DIM G	DIM H	DIM H				
	ENGLISH	METRIC	ENGLISH	METRIC	ENGLISH	METRIC				
10050682-X23H	0.661	16.79	0.082	2.08	0.479	12.16	11	12	TUBES	337144
10050682-X23HLF	0.661	16.79	0.082	2.08	0.479	12.16	11	12	TUBES	337144

PIN PLATING CODES:	
XXXXXXXX-4YY	120u"/3.05u MIN 93/7 SnPb OVER 50u"/1.27u MIN Ni
XXXXXXXX-4YYLF	100u"/2.54u MIN TIN OVER 50u"/1.27u MIN Ni

NOTES

- ① BODY MATERIAL :
FOR HIGH-TEMPERATURE APPLICATIONS, SPECIFY AN "H" AT THE END OF THE PART NUMBER, PCT WILL BE SUPPLIED. FLAME RETARDENT PER UL94V-0.
OR
MINERAL FILLED LCP FLAME RETARDENT PER UL-94V-0. COLOR: BLACK.
- ② PIN MATERIAL : BRASS.
- ③ MEASURED WITH PART IN RESTRAINED CONDITION.
- 4. TWO SIDES OF PIN TIPS NOT PLATED. TYPICAL BOTH ENDS.
- ⑤ 2LBS/0.9KG MIN PIN RETENTION IN EITHER DIRECTION.
- 6. PACKAGED IN POLY BAGS.
- ⑦ EIGHT DIGIT PART NUMBERS FOLLOWED BY A "T" ARE PACKAGED IN TUBES. SEE SPECIFIC PART NUMBERS FOR AVAILABILITY.
- 8. MILITARY BERGSTIK HEADER
P/N XXXXX-YYY-MIL.
NOT AVAILABLE.
- 9. NOTCH CONFIGURATION WILL VARY PER VENDOR'S DISCRETION.
- ⑩ ANY NUMBER OF POSITIONS IN ROW B FROM 2 THRU 36.
ROW A WILL HAVE ONE LESS POSITION THAN ROW B.

mat'l. code	surface ISO 1302 ✓	tolerance ISO 406 ISO 1101	projection 	product family BERGSTIK
ltr ecn nodr date	tolerances unless otherwise specified			title BERGSTIK® II HEADER .100/2.54cc STAG. ROW
G	angles 0°±2°	linea XX±.01/XX±.03 XXX±.005/XXX±.013 XXXX±.0020/XXXX±.051	INCH/MM scale 1:1	dwg no 10050682
	dr T. BRUNGARD 12/03/04	engr H. SUNDY 12/03/04	chr H. SUNDY 12/03/04	sheet 2 of 2 size A3
	appd H. SUNDY 12/03/04	type Product Customer Drawing		
sheet index	revision sheet			

Copyright FCI
 FCIconnect.com

X-ON Electronics

Largest Supplier of Electrical and Electronic Components

Click to view similar products for [Headers & Wire Housings](#) category:

Click to view products by [Amphenol](#) manufacturer:

Other Similar products are found below :

[892-18-020-10-001101](#) [58102-G61-06LF](#) [582553-1](#) [0009485154](#) [009176003701906](#) [0050291907](#) [LY20-4P-DT1-P1E-BR](#) [02.125.8002.8](#)
[609-3404](#) [61062-3](#) [622-0430](#) [622-3653LF](#) [63453-116](#) [636-1030](#) [636-1427](#) [636-3427](#) [636-4007](#) [641938-9](#) [641991-4](#) [644827-2](#) [65817-010LF](#)
[65817-015LF](#) [65863-015LF](#) [66207-023LF](#) [67095-007LF](#) [67601157](#) [68648-049](#) [70.362.1628.0](#) [70-4210](#) [70-4226B](#) [70-4853B](#) [707-5020](#) [707-](#)
[5028](#) [71.350.2428.0](#) [71918-208LF](#) [71961-016LF](#) [733-134](#) [733-162](#) [754199-000](#) [760-3052](#) [787-8014-00](#) [79531-3000](#) [FCN-360C032-B](#) [FCN-](#)
[367T-T012/H](#) [FCN-723D010/2](#) [80.063.4001.1](#) [800-90-001-10-001000](#) [800-90-010-10-002000](#) [801-43-002-10-013000](#) [801-43-006-10-002000](#)