

CONNECTOR ASSY

Note 1. "n" shows the number of contacts. 2. This product meets European Union Directives and other country regulations as described in GS-22-008

注記 1. nは極数を示す。 2. 本製品は、GS-22-008に記載されたヨーロッパ適合指令と他国の規制に適合しています。

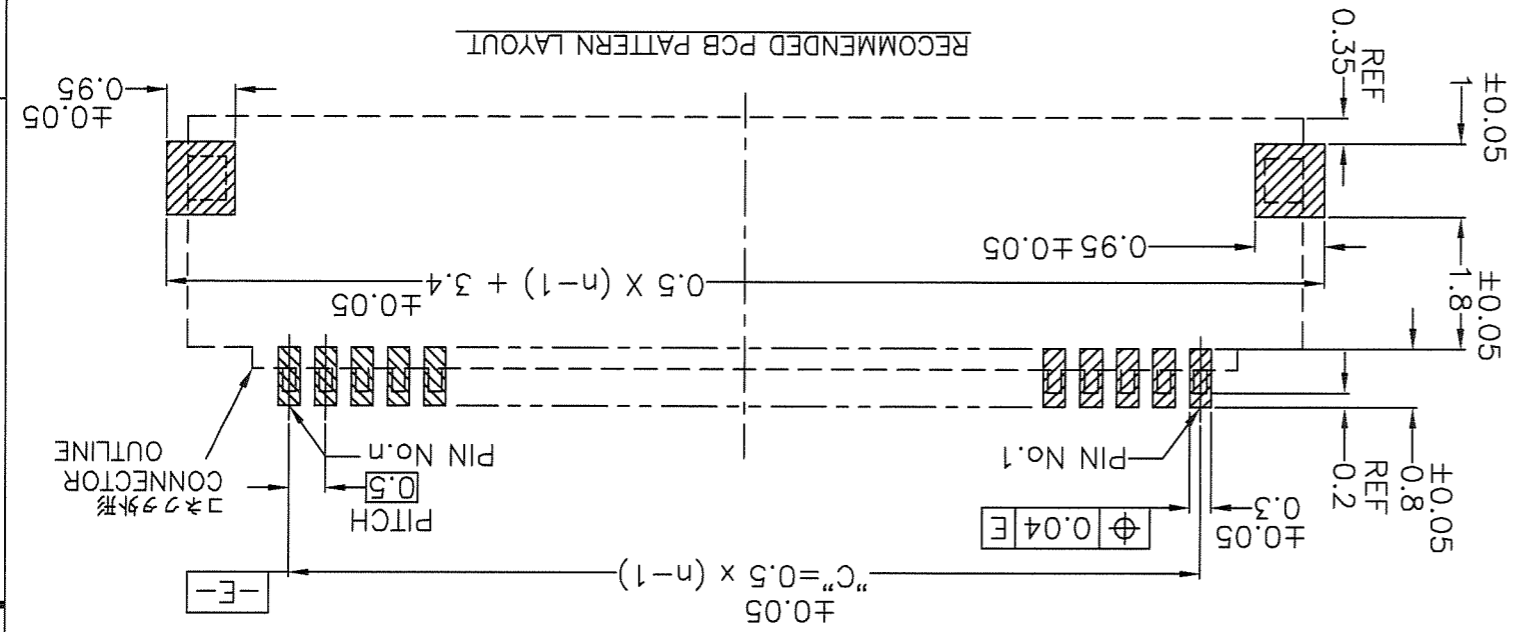
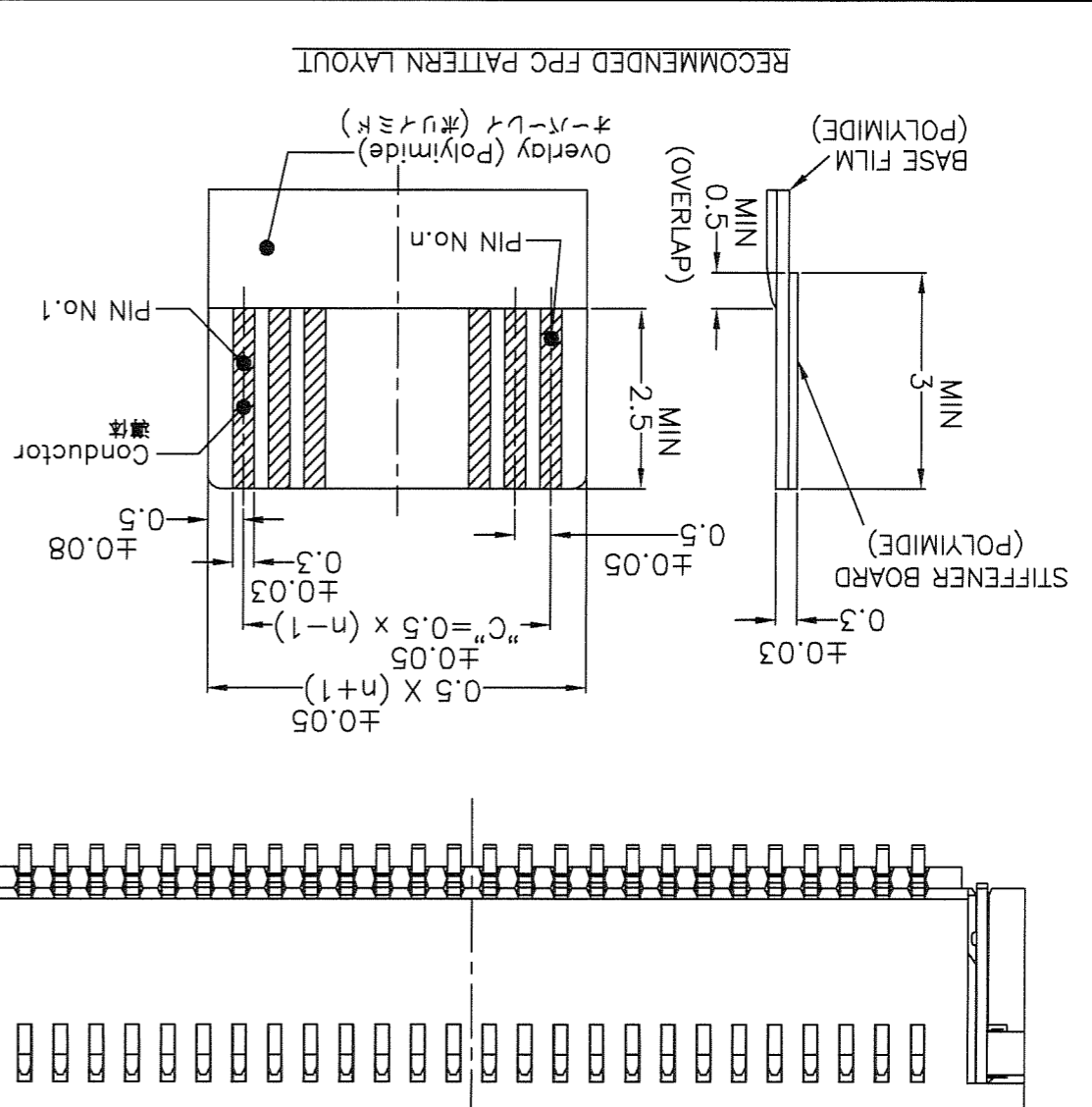
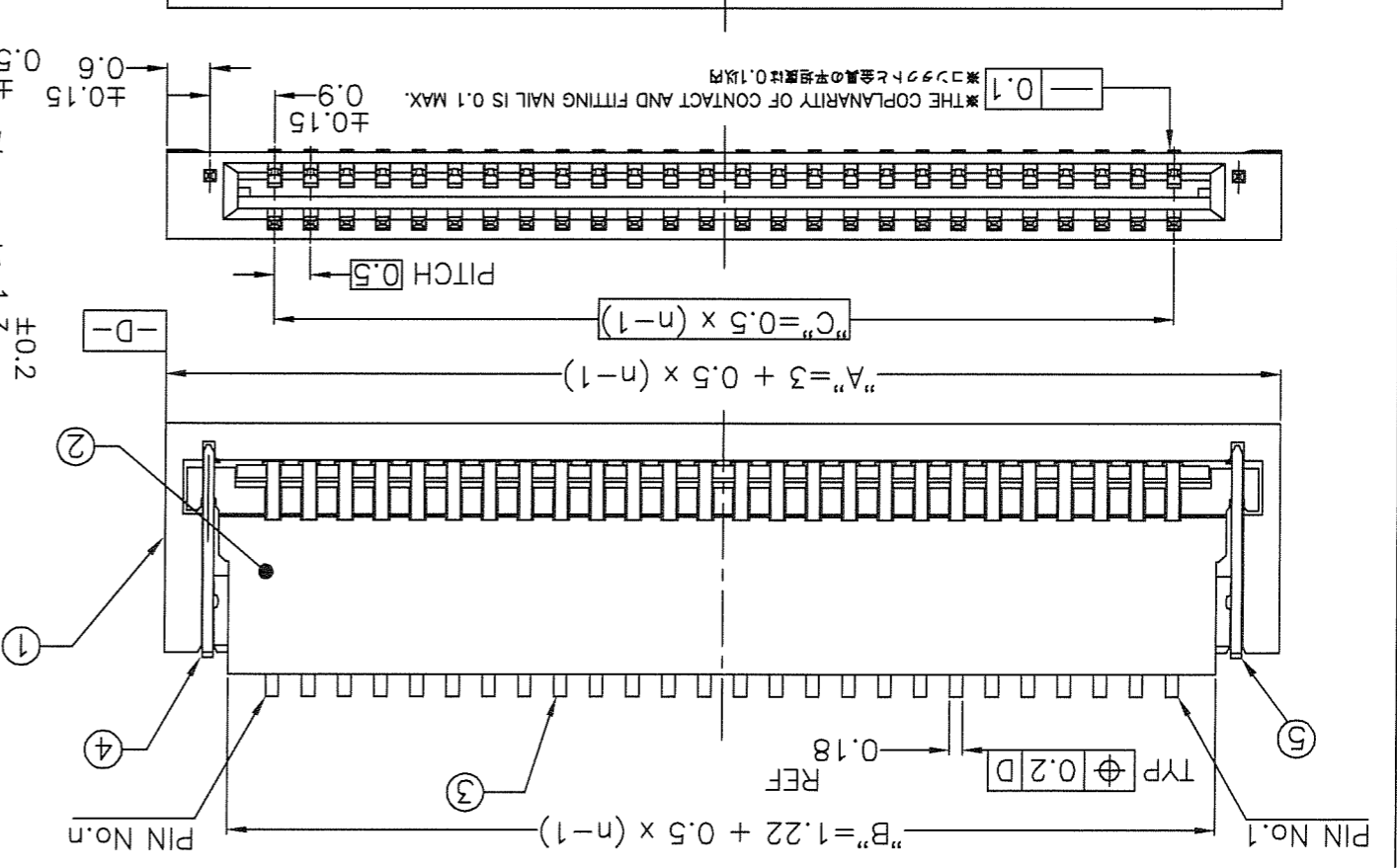
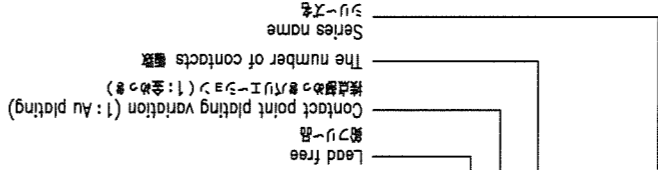


Table with columns: mat'l. code, ltr description, ecn no, dr, date, surface tolerance, product family, title, and revision history.

CONNECTOR ASSY

<P/N composition> <P/N構成>
10051922-24 1 LF



No.	部品名	Material	材質	Finish	めっき	Note
①	Housing ハウジング	Enter glass fiber LCP resin ガラス繊維入り LCP 樹脂	—	—	色: 白色, UL94V-0	色: 白色, UL94V-0
②	Actuator アクチュエータ	Enter glass fiber 9TFA resin ガラス繊維入り 9TFA 樹脂	—	—	色: 黒, UL94V-0	色: 黒, UL94V-0
③	Contact コンタクト	Copper alloy 銅合金	銅合金	Au plating (Nickel underplating) めっき (ニッケル下層めっき)	ニッケルめっき	With Ni dam on the contact
④	Fitting nail (Right side) 適合金 (右側)	Copper alloy 銅合金	銅合金	Tin alloy plating (Nickel underplating) スズ合金めっき (ニッケル下層めっき)	—	—
⑤	Fitting nail (Left side) 適合金 (左側)	Copper alloy 銅合金	銅合金	Tin alloy plating (Nickel underplating) スズ合金めっき (ニッケル下層めっき)	—	—

PARTS TABLE 部品表

CONTACT PLATING	DIM "C"	DIM "B"	DIM "A"	⑤ FITTING NAIL(L) QTY	④ FITTING NAIL(R) QTY	③ CONTACT QTY	② ACTUATOR QTY	① HOUSING QTY	PRODUCT NO.
Au	3.5	4.72	6.5	1	1	8	1	1	10051922-081LF
Au	4.5	5.72	7.5	1	1	10	1	1	10051922-101LF
Au	5	6.22	8	1	1	11	1	1	10051922-111LF
Au	5.5	6.72	8.5	1	1	12	1	1	10051922-121LF
Au	6.5	7.72	9.5	1	1	14	1	1	10051922-141LF
Au	7	8.22	10	1	1	15	1	1	10051922-151LF
Au	7.5	8.72	10.5	1	1	16	1	1	10051922-161LF
Au	8.5	9.72	11.5	1	1	18	1	1	10051922-181LF
Au	9	10.22	12	1	1	19	1	1	10051922-191LF
Au	9.5	10.72	12.5	1	1	20	1	1	10051922-201LF
Au	10.5	11.72	13.5	1	1	22	1	1	10051922-221LF
Au	11.5	12.72	14.5	1	1	24	1	1	10051922-241LF
Au	12.5	13.72	15.5	1	1	26	1	1	10051922-261LF
Au	13.5	14.72	16.5	1	1	28	1	1	10051922-281LF
Au	14.5	15.72	17.5	1	1	30	1	1	10051922-301LF

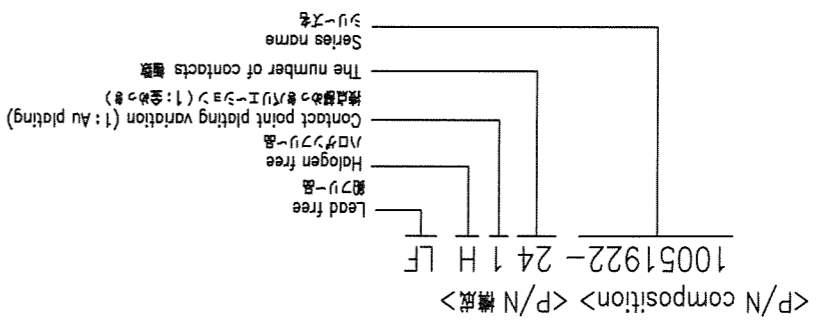
mat'l. code	ISO 1302	surface tolerance unless otherwise specified	ISO 406	ISO 1101	projection	product family	59GF FLEX 0.5	CODE	JP
description	ecn no	dr	date	tolerances unless otherwise specified	projection	product family	59GF FLEX 0.5	CODE	JP
A	RELEASED	N.S	6/20/05	±2°	angles	mm	ASSEMBLY	0.5mm PITCH CONNECTOR FOR FPC	VLL Series
E	REVISED	N.S	2008-7-1	±2°	angles	mm	ASSEMBLY	0.5mm PITCH CONNECTOR FOR FPC	VLL Series
F	REVISED	N.S	2009-5-7	±0.3	linear	mm	ASSEMBLY	0.5mm PITCH CONNECTOR FOR FPC	VLL Series
G	ADDED/N	N.S	2010-6-4	±0.3	linear	mm	ASSEMBLY	0.5mm PITCH CONNECTOR FOR FPC	VLL Series
H	REVISED	N.S	2010-6-23	±0.3	linear	mm	ASSEMBLY	0.5mm PITCH CONNECTOR FOR FPC	VLL Series

sheet revision	revision	sheet	index
10051922	10051922	10051922	10051922

Copyright FCI
FCIconnect.com

CONNECTOR ASSY

HALOGEN FREE



PARTS TABLE 部品表

No.	Part name	Material	Finish	Note
①	Housing ハウジング	Enter glass fiber LCP resin ガラス繊維入りLCP樹脂	—	色: 乳白色, UL94V-0 Color: Natural, UL94V-0
②	Actuator アクチュエータ	Enter glass fiber LCP resin ガラス繊維入りLCP樹脂	—	色: 乳白色, UL94V-0 Color: Natural, UL94V-0
③	Contact コンタクト	Copper alloy 銅合金	—	Au plating (Nickel underplating) ニッケル下被り With Ni dam on the contact
④	Fitting nail (Right side) 適合爪(右側)	Copper alloy 銅合金	—	Tin alloy plating (Nickel underplating) スズ合金めっき(ニッケル下被りめっき)
⑤	Fitting nail (Left side) 適合爪(左側)	Copper alloy 銅合金	—	Tin alloy plating (Nickel underplating) スズ合金めっき(ニッケル下被りめっき)

CONTACT PLATING	DIM "C"	DIM "B"	DIM "A"	⑤ FITTING NAIL(L) QTY	④ FITTING NAIL(R) QTY	③ CONTACT QTY	② ACTUATOR QTY	① HOUSING QTY	PRODUCT NO.
Au	3.5	4.72	6.5	1	1	8	1	1	10051922-081HLF
Au	4.5	5.72	7.5	1	1	10	1	1	10051922-101HLF
Au	5	6.22	8	1	1	11	1	1	10051922-111HLF
Au	5.5	6.72	8.5	1	1	12	1	1	10051922-121HLF
Au	6.5	7.72	9.5	1	1	14	1	1	10051922-141HLF
Au	7	8.22	10	1	1	15	1	1	10051922-151HLF
Au	7.5	8.72	10.5	1	1	16	1	1	10051922-161HLF
Au	8.5	9.72	11.5	1	1	18	1	1	10051922-181HLF
Au	9	10.22	12	1	1	19	1	1	10051922-191HLF
Au	9.5	10.72	12.5	1	1	20	1	1	10051922-201HLF
Au	10.5	11.72	13.5	1	1	22	1	1	10051922-221HLF
Au	11.5	12.72	14.5	1	1	24	1	1	10051922-241HLF
Au	12.5	13.72	15.5	1	1	26	1	1	10051922-261HLF
Au	13.5	14.72	16.5	1	1	28	1	1	10051922-281HLF
Au	14.5	15.72	17.5	1	1	30	1	1	10051922-301HLF

mat'l. code	surface tolerance	projection	product family	CODE
---	ISO 1302 ISO 406 ISO 1101	ISO 406 ISO 1101	59GF FLEX 0.5	JP

l/r	description	ecn no	dr	date

angles	linear	0.XX ±0.3	0.X ±0.3
±2°		0.XXX ±0.3	0.X ±0.3

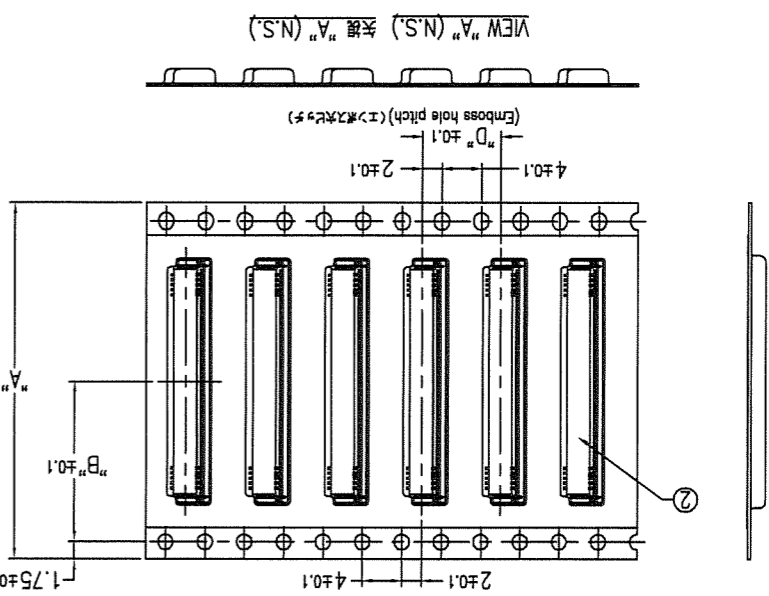
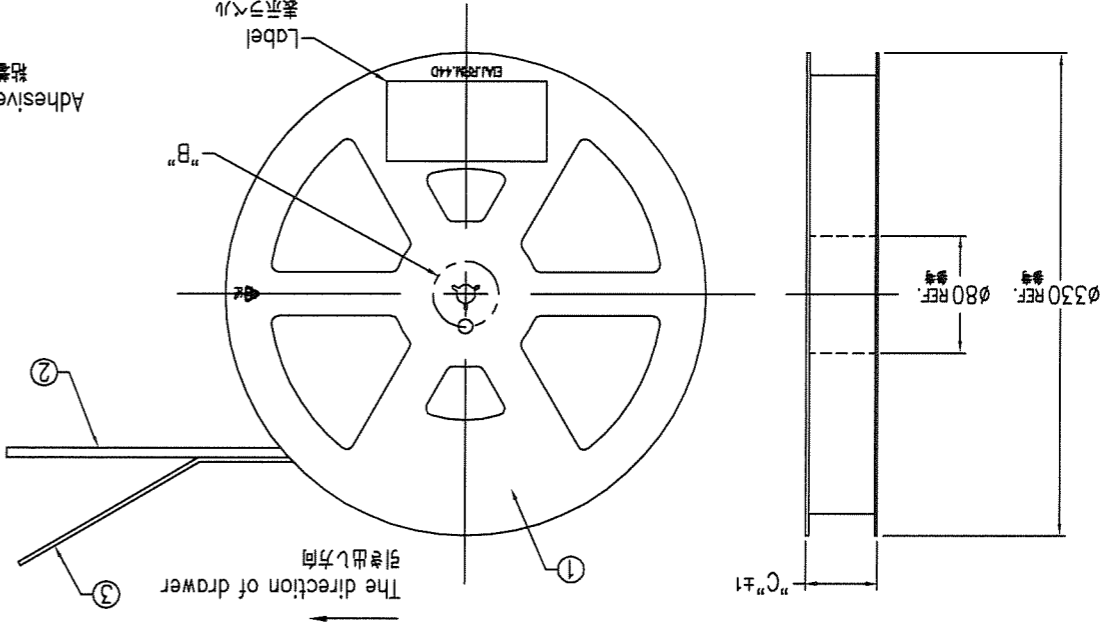
scale	10:1

dwg no	sheet 3 of 5 size
10051922	A3

type	Product Customer Drawing

sheet revision	index
H REVISION	sheet
G ADDED/P/N	revision
J10-0142 N.S	2010-6-4 chr
J10-0171 N.S	2010-6-23 oppd

PRODUCT NO.	DIM "A"	DIM "B"	DIM "C"	DIM "D"	DIM "E"	CONTACT PLATING	Emboss QTY.	TOOLING AVAILABLE
10051922-0810ELF	16	7.5	21.5	8	--	Au	4500	YES
10051922-1010ELF	16	7.5	21.5	8	--	Au	4500	YES
10051922-1110ELF	16	7.5	21.5	8	--	Au	4500	YES
10051922-1210ELF	16	7.5	21.5	8	--	Au	4500	YES
10051922-1410ELF	16	7.5	21.5	8	--	Au	4500	YES
10051922-1510ELF	16	7.5	21.5	8	--	Au	4500	YES
10051922-1610ELF	16	7.5	21.5	8	--	Au	4500	YES
10051922-1810ELF	16	7.5	21.5	8	--	Au	4500	YES
10051922-1910ELF	16	7.5	21.5	8	--	Au	4500	YES
10051922-2010ELF	16	7.5	21.5	8	--	Au	4500	YES
10051922-2210ELF	16	7.5	21.5	8	--	Au	4500	YES
10051922-2410ELF	16	7.5	21.5	8	--	Au	4500	YES
10051922-2610ELF	16	7.5	21.5	8	--	Au	4500	YES
10051922-2810ELF	16	7.5	21.5	8	--	Au	4500	YES
10051922-3010ELF	16	7.5	21.5	8	--	Au	4500	YES



NOTE

1. This article carries out the emboss tape package of the 0.5mm pitch connector for FPC.
 2. The shape and dimension of this article are based on JIS C 0806.
 (Taping of electronic parts (Surface mounted device))

注記

1. 本品は 0.5mm ピッチ FPC 用コネクタをエンボステープ梱包したものである。
 2. 本品の形状及び寸法規定は JIS C 0806 (電子部品のテープパック (表面実装部品)) に準拠する。

PARTS TABLE 部品表

No.	部品名	材質	数量	注意
①	The reel for packaging	Polyethylene	1	色: 白、帯電防止処理品 Electrification prevention processing
②	Emboss tape	PET	1	帯電防止処理品 Electrification prevention processing
③	Cover tape	ポリエステル	1	
④	コネクタ	APPLIED FOR 8mm PITCH EMBOS TAPE	4500	See sheet 1

10051922-16 1 0E LF

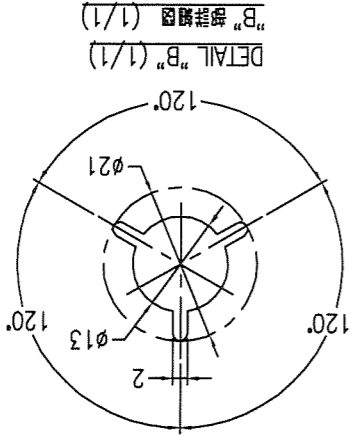
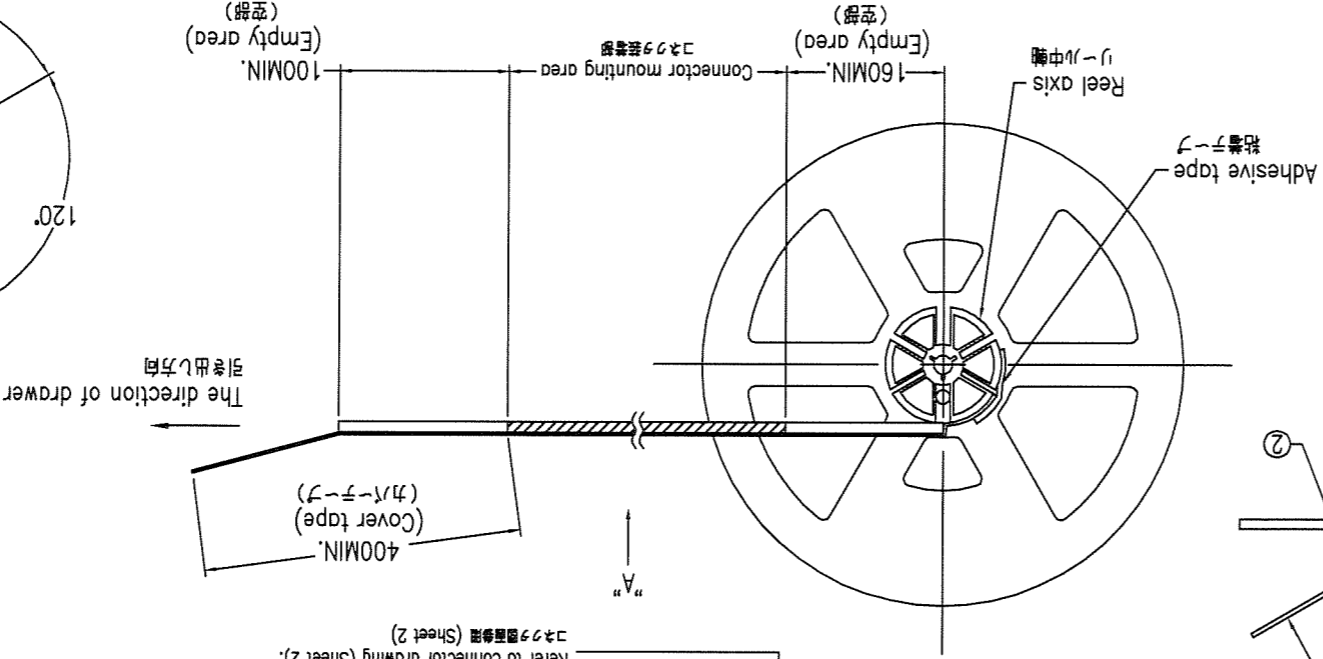
<P/N composition> <P/N構成>

Lead free

無鉛品

Packaging form (OE : 8mm emboss pitch, Plastic reel・Embossing tape package)
 梱包形態 (OE : 8mm エンボスピッチ、プラスチックリール・エンボステープ梱包)

Refer to connector drawing (Sheet 2).
 コネクタ図参照 (Sheet 2)



mat'l. code	description	ecn no	dr	date	tolerance unless otherwise specified	projection	product family	CODE
A	RELEASED	J05-0356	N.S	6/20/05	angles $\pm 2^\circ$ linear 0.XX ± 0.3 0.X ± 0.3	mm	59GF FLEX 0.5	JP
E	REVISED	J08-0283	N.S	2008-7-1		scale 10:1	VLL Series	
F	REVISED	J09-0178	N.S	2009-5-7				
G	ADDED/P/N	J10-0142	N.S	2010-6-4				
H	REVISED	J10-0171	N.S	2010-6-23				

title ASSEMBLY
 0.5mm PITCH CONNECTOR FOR FPC
 scale 10:1
 product family 59GF FLEX 0.5
 CODE JP
 sheet revision H REVISED J10-0171 N.S 2010-6-23 dppd
 G ADDED/P/N J10-0142 N.S 2010-6-4 chr
 F REVISED J09-0178 N.S 2009-5-7 engr N.SASAME 2010-6-23
 E REVISED J08-0283 N.S 2008-7-1 dr N.SASAME 2010-6-23
 sheet revision H REVISED J10-0171 N.S 2010-6-23 dppd
 index sheet

EMBOSS PACKAGE

X-ON Electronics

Largest Supplier of Electrical and Electronic Components

Click to view similar products for [FFC & FPC Connectors](#) category:

Click to view products by [Amphenol](#) manufacturer:

Other Similar products are found below :

[HFW11R-1STE1H1LF](#) [FH29B-100S-0.2SHW\(99\)](#) [FA5S008HP1](#) [FH29B-120S-0.2SHW\(99\)](#) [FH29B-80S-0.2SHW\(99\)](#) [FHS-16](#) [FPH-2022G](#)
[52610-1075](#) [52610-1275](#) [52610-1934](#) [XF3M\(1\)-1415-1B-R100](#) [501864-3091-TR225](#) [0525594033](#) [086210010340800](#) [086222026001800](#)
[52271-2869-CUT-TAPE](#) [62674-201121DLF](#) [62684-36210E9ALF](#) [52610-1675](#) [52746-1671-TR250](#) [10051922-2810EHLF](#) [6-520415-9](#)
[BD021-09A-A1-0350-0200-0550-LD](#) [SFV6R-1STE9HLF](#) [XF3M-2915-1B-R100](#) [1658549-1](#) [62674-221121ALF](#) [46214008010800](#)
[046298003000883](#) [151660622](#) [842-816-2630-035](#) [AYF530665TA](#) [AYF351525](#) [046296011930846+](#) [AYF352325A](#) [046254020000800+](#)
[FH19C-13S-0.5SH\(99\)](#) [FH39J-51S-0.3SHW\(99\)](#) [AYF355125A](#) [AYF530365TA](#) [FH29B-44S-0.2SHW\(99\)](#) [SFW5R-2STAE9LF](#) [AYF351125A](#)
[AYF350725A](#) [62684-502100AHLF](#) [FH39-61S-0.3SHW\(99\)](#) [AYF414035A](#) [10064555-172520HLF](#) [AYF212335A](#) [504754-2500](#)