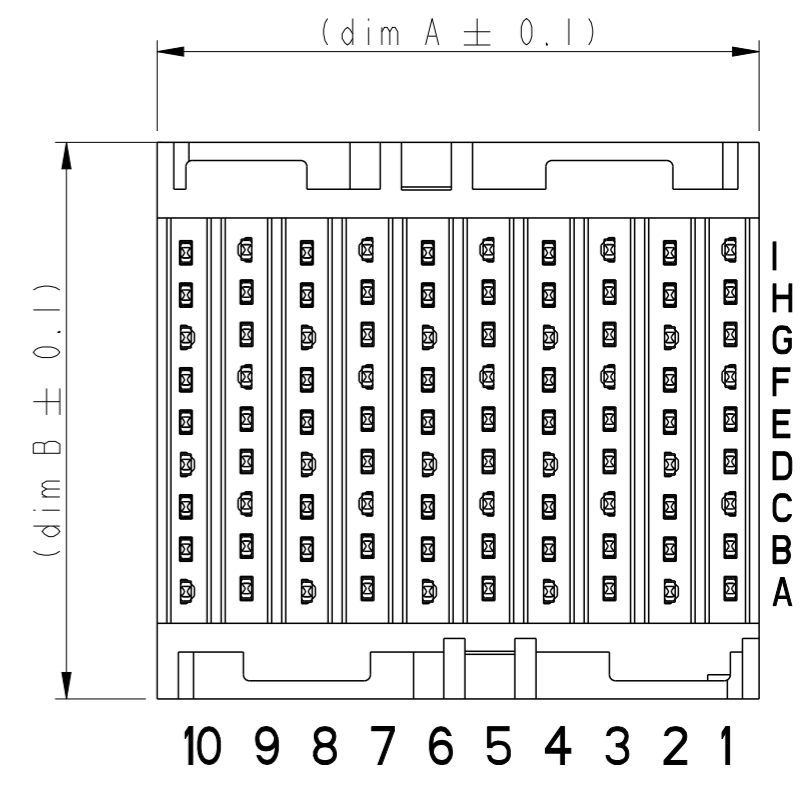
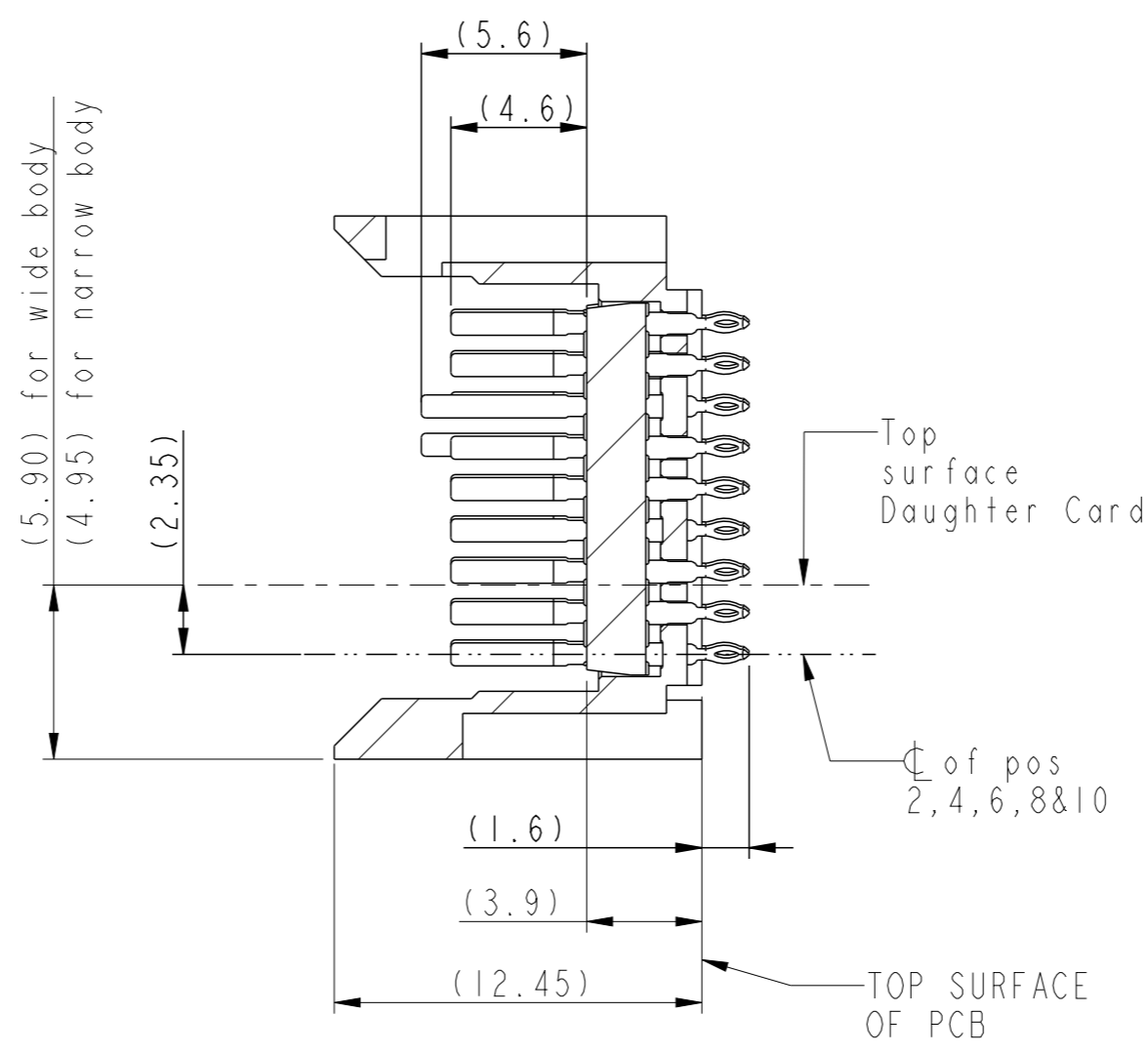
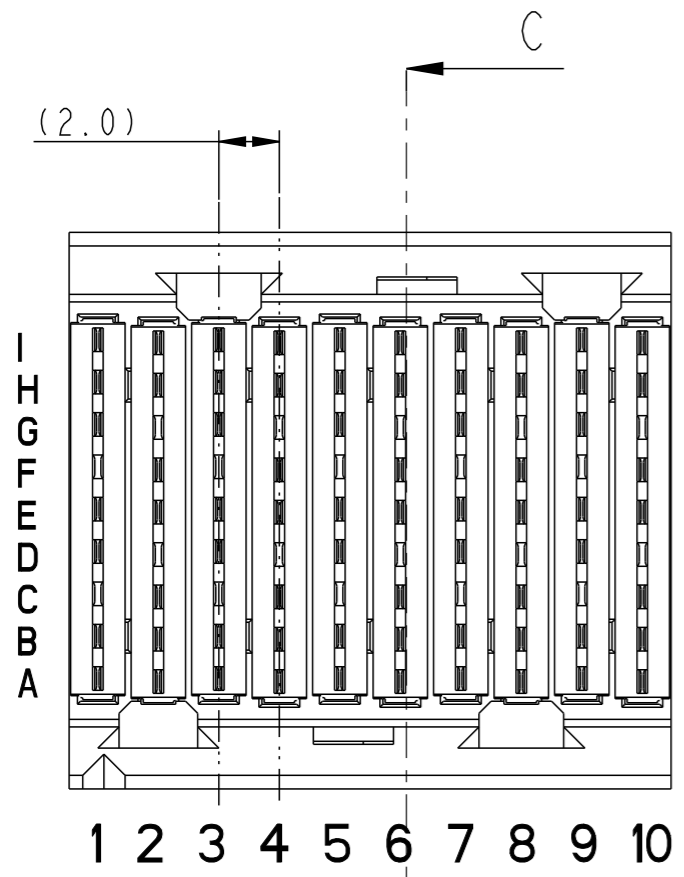


VIEWS WITHOUT PROTECTION COVER



For housing types and dim A and B see sheet 4

Partnumber:  
10056103-IYZABC1 LF

- X = PLATING
- I=TELCORDIA CO GAS (see note 2 sheet 5)
- YZ = HOUSING TYPE
  - 01 = 2 wall narrow body
  - 04 = 4 wall narrow body
  - 05 = 2 wall wide body (STANDARD VISION)
  - 08 = 4 wall wide body
- ABC = PIN LAYOUT
  - 001 = standard layout (no detect pin)
  - xxx = other versions see sheet 2
- LF = Lead Free
- LF = Lead free product (see note 8 sheet 5)
- no suffix = Non lead free: available upon special request

2 WALL WIDE BODY VISION AS SHOWN

spec ref	CONCEPT	dr	Matthew Cheong	2006/11/16	projection	mm	size	A3	scale	2:1	
tolerance std	TOLERANCES UNLESS OTHERWISE SPECIFIED	eng	K R Mahoharan	2012/07/23			ecn no	Released			
ISO 406		chr	-								
ISO 1101		appr	Chen-Hong Tan	2012/10/12	product family	AirMax VS	rel level	Released			
surface	linear			title	AirMax VS VERTICAL HEADER		dwg no	10056103		rev	B
ISO 1302	angular	www.fci.com		cat. no.	Product - Customer Drw		sheet 1 of 5				



Copyright FCI.

\* Detection pin of 3.9mm possible on standard positions H5.  
For other detection pin and options please consult FCI.

Partnumber \ Pin layout	5.6mm Longpins (typ gnd)	3.9mm * Short pin (typ detect)	4.6mm Otherpins (typ sign)
10056103-IYZ0011(LF)	F1,F3,F5,F7,F9 G2,G4,G6,G8,G10	-	all other positions
10056103-IYZ0031(LF)	F1,F3,F5,F7,F9 G2,G4,G6,G8,G10	H5	all other positions
10056103-IYZ0032(LF)	F1,F3,F5,F7,F9 G2,G4,G6,G8,G10	H5 (See Note 7)	all other positions

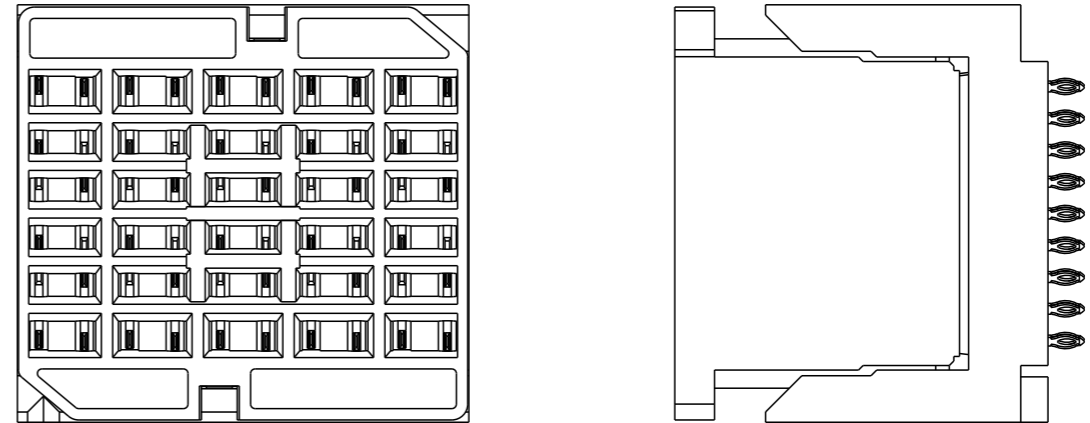
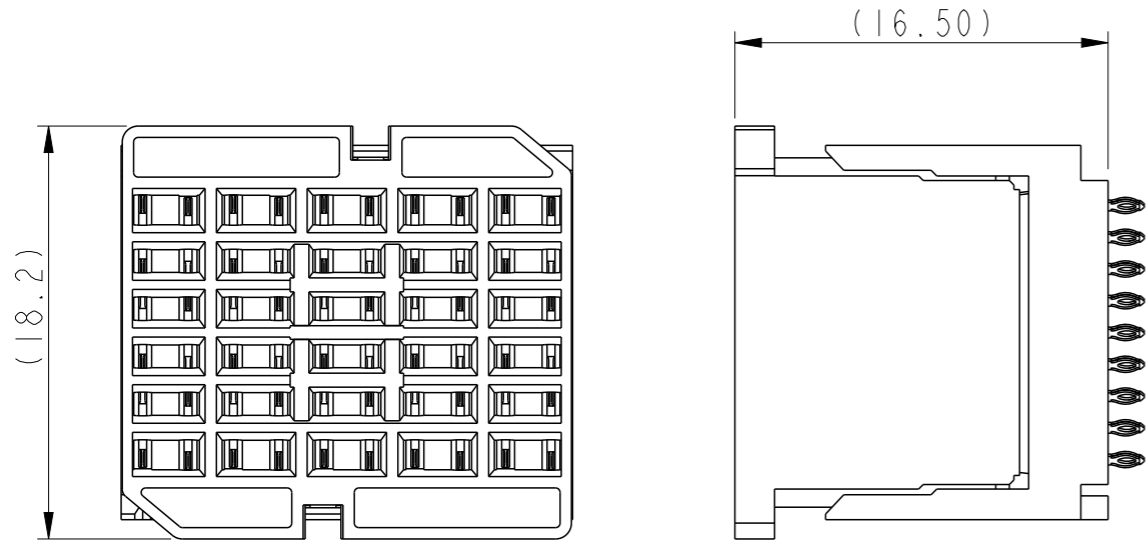


Copyright FCI.

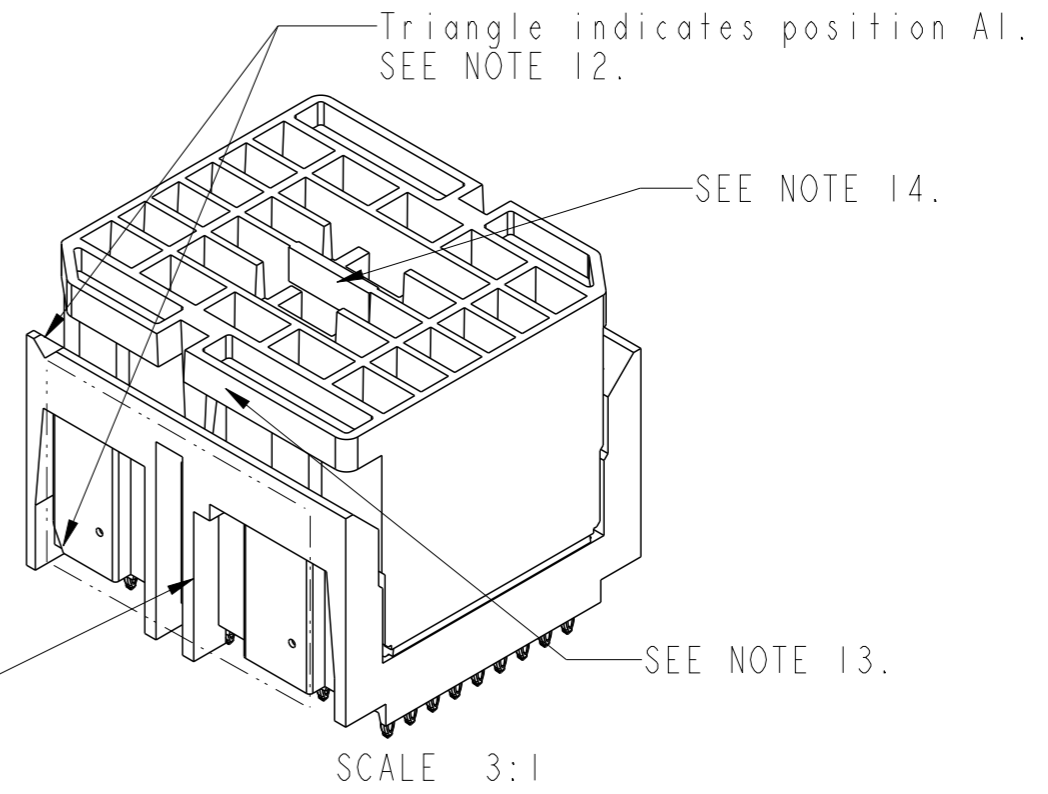
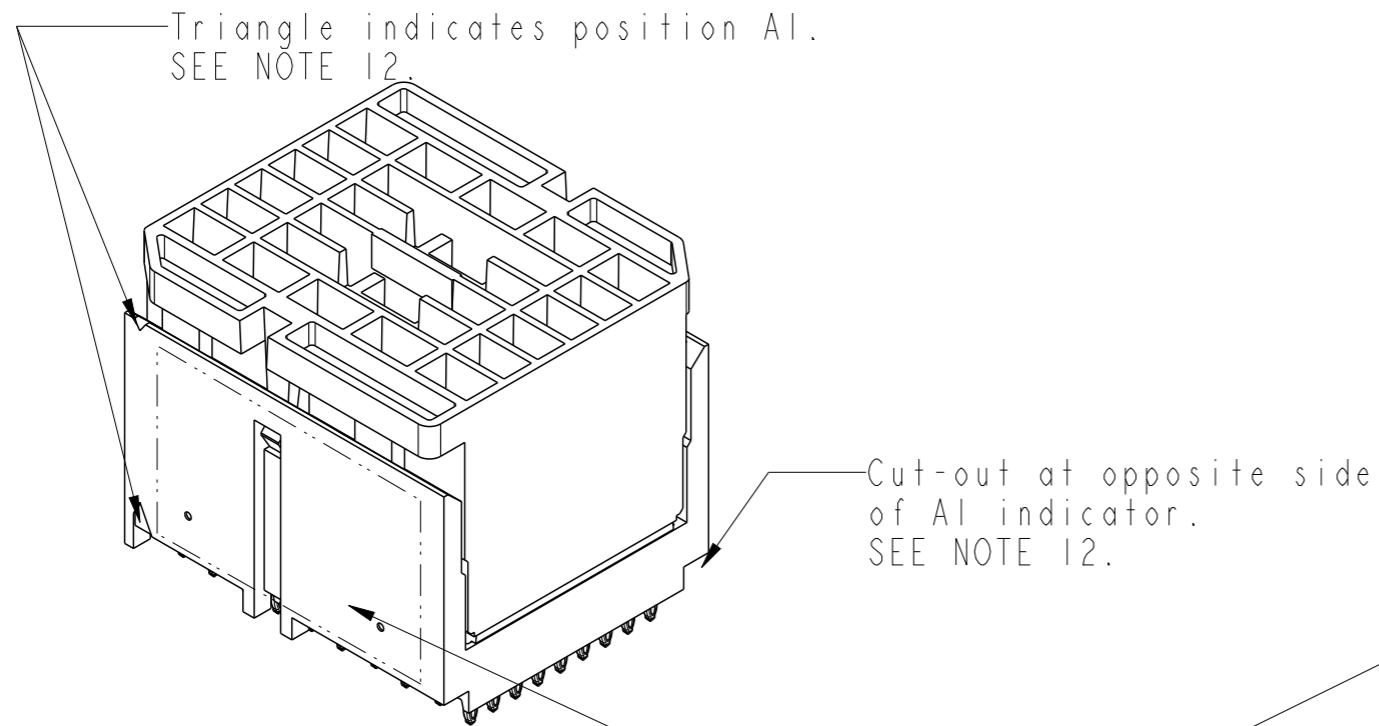
spec ref	CONCEPT			dr	Matthew Cheong	2006/11/16	projection	mm	size	A3	scale	2:1
tolerance std	TOLERANCES UNLESS OTHERWISE SPECIFIED			eng	K R Mahoharan	2012/07/23			ecn no		ELX-S-012244-1	
ISO 406 ISO 1101				chr	-	-			rel level		Released	
surface		linear	0.X ±		product family			AirMax VS		dwg no 10056103	rev B	
ISO 1302			0.XX ±		3 pair, 90 pos, 2mm, 10 IMLA			cat. no.				Product - Customer Drw
		angular	0° ±°		www.fci.com							

NARROW BODY

WIDE BODY



SCALE 3:1



Copyright FCI.

spec ref	CONCEPT				dr	Matthew Cheong	2006/11/16	projection	mm	size	A3	scale	2:1
tolerance std	TOLERANCES UNLESS OTHERWISE SPECIFIED				eng	K R Mahoharan	2012/07/23			ecn no	ELX-S-012244-1		
ISO 406					chr	-	-		product family		AirMax VS	rel level	Released
ISO 1101					appr	Chen-Hong Tan	2012/10/12						
surface		linear	0.X	±		title AirMax VS VERTICAL HEADER 3 pair, 90 pos, 2mm, 10 IMLA	cat. no. www.fci.com	dwg no 10056103	rev B				
			0.XX	±									
			0.XXX	±									
ISO 1302		angular	0°	±°				Product - Customer Drw		sheet 3 of 5			

1

2

3

4

NARROW BODY

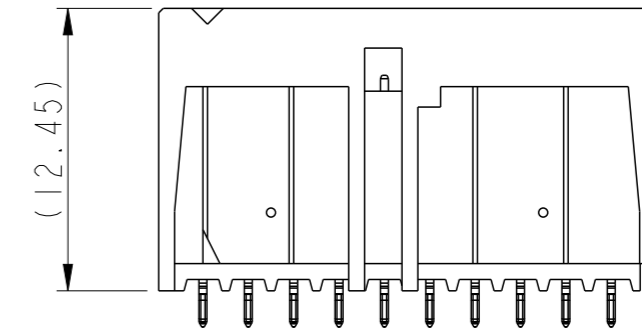
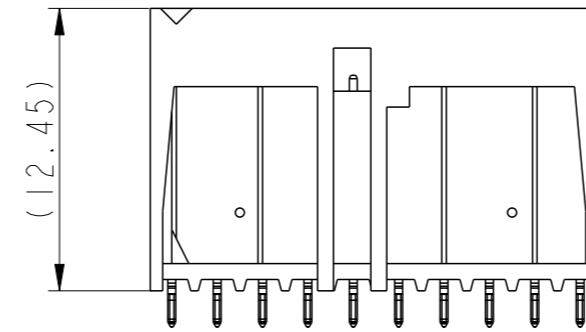
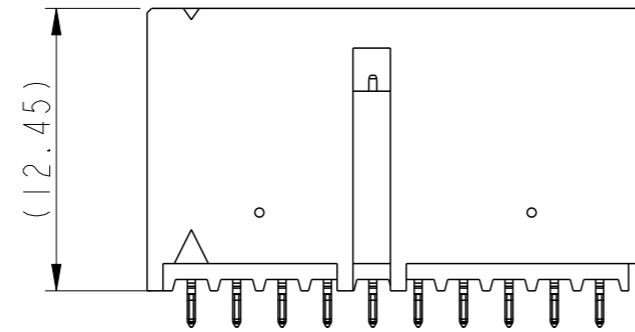
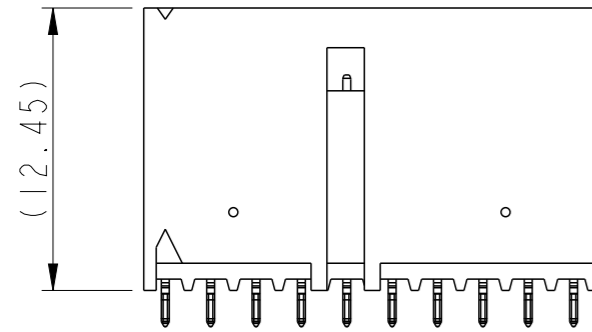
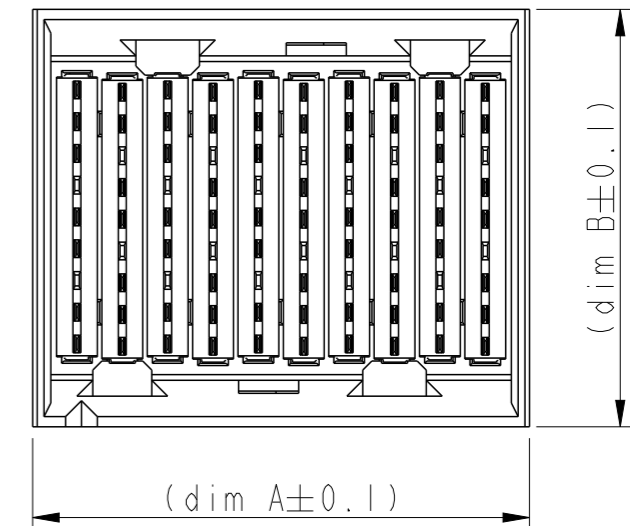
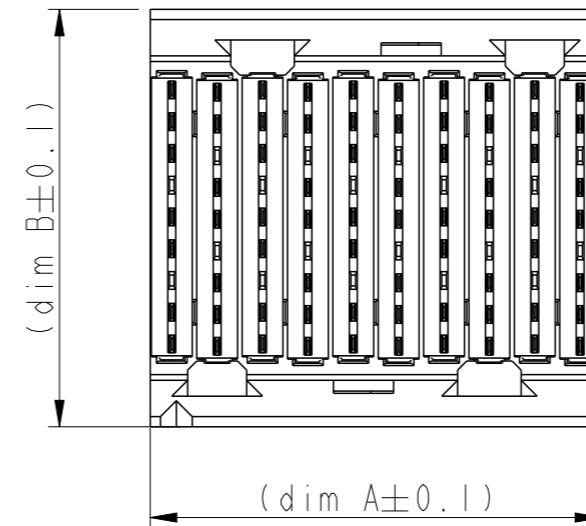
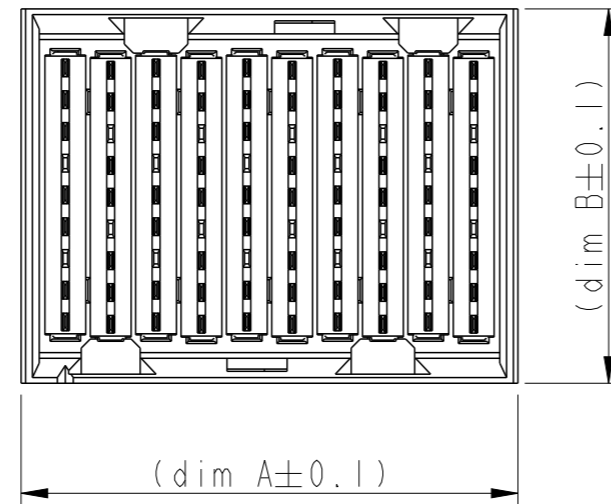
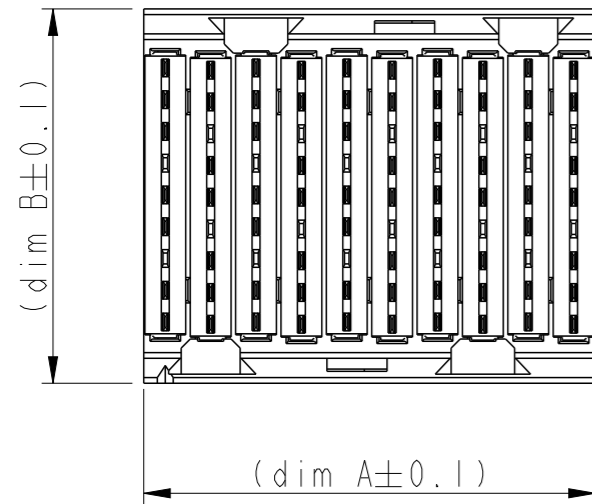
WIDE BODY

10056103 - 101ABCI

10056103 - 104ABCI

10056103 - 105ABCI

10056103 - 108ABCI

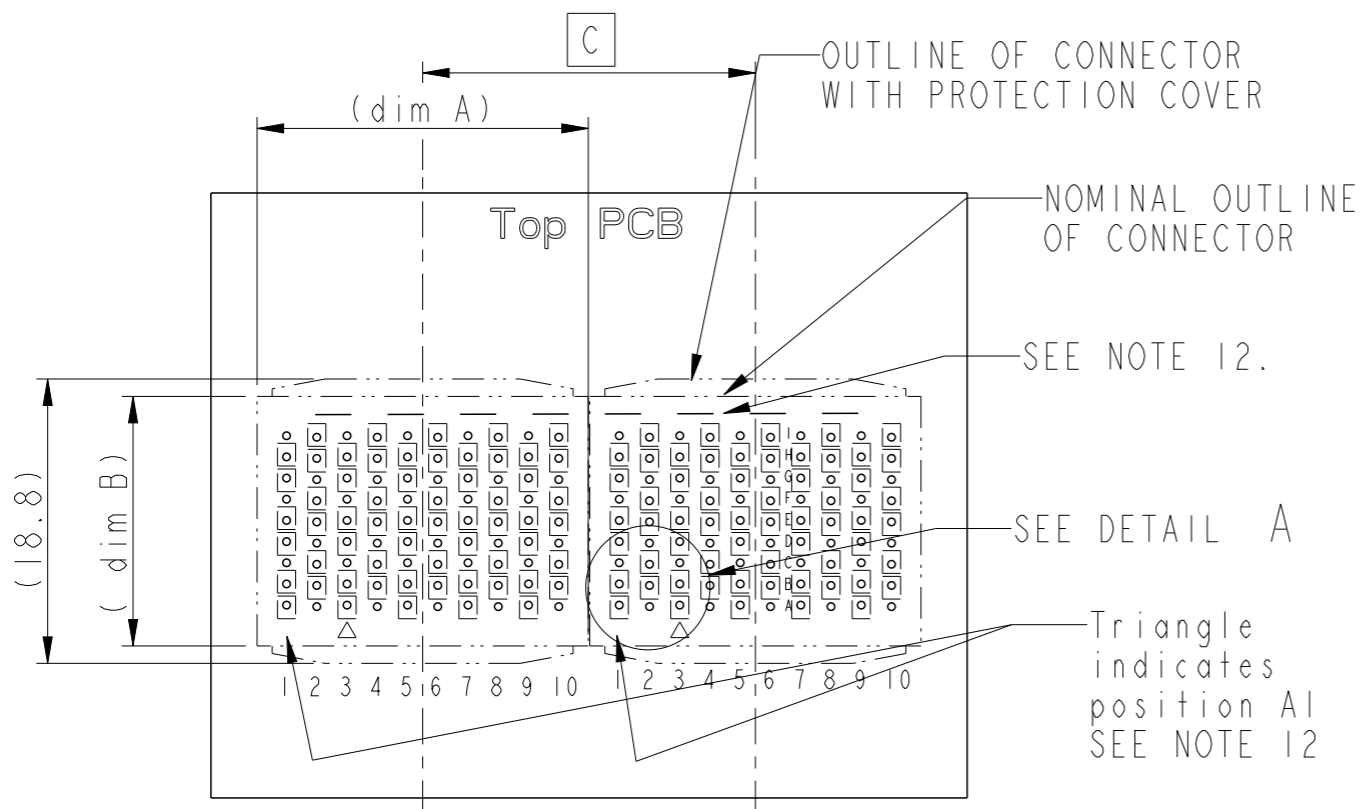


PN / dim	A	B
10056103-101ABCI (LF)	19.9	16.5
10056103-104ABCI (LF)	21.9	16.5
10056103-105ABCI (LF)	19.9	18.4
10056103-108ABCI (LF)	21.9	18.4

spec ref	CONCEPT	dr	Matthew Cheong	2006/11/16	projection	mm	size	A3	scale	2:1	
tolerance std	TOLERANCES UNLESS OTHERWISE SPECIFIED	eng	K R Mahoharan	2012/07/23			ecn no	ELX-S-012244-1			
ISO 406 ISO 1101		chr	-	-			rel level	Released			
surface		linear	0.X	±	appr	Chen-Hong Tan	2012/10/12	product family	AirMax VS		
ISO 1302	angular	0°	±°			title	AirMax VS VERTICAL HEADER			rev	B
				www.fci.com	cat. no.	Product - Customer Drw			sheet 4 of 5		



Copyright FCI.



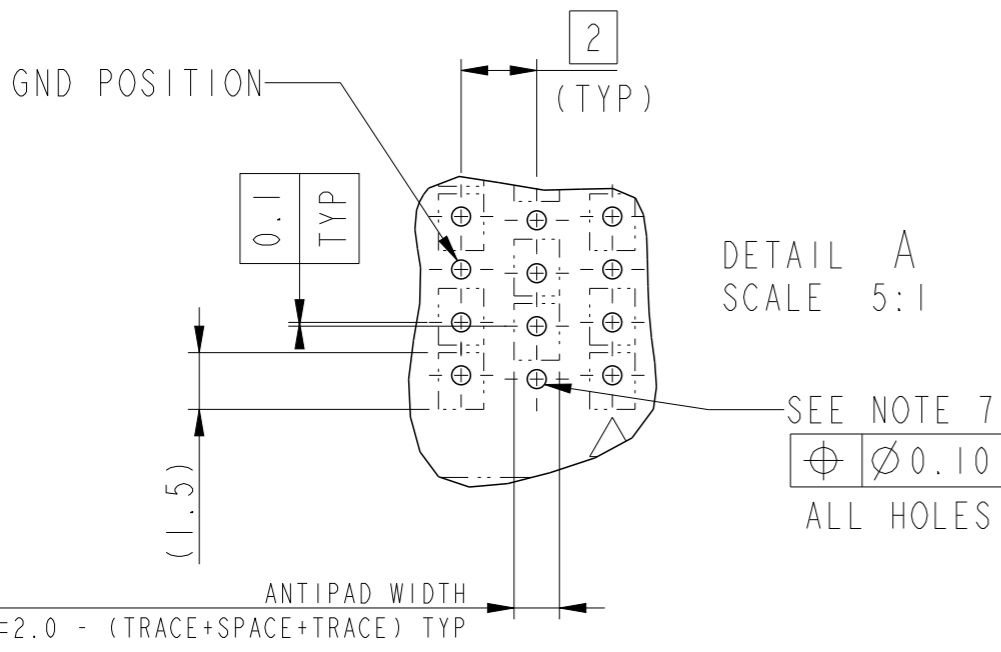
RECOMMENDED PCB LAYOUT FOR DIFFERENTIAL APPLICATIONS COMPONENT SIDE (TWO ADJACENT FOOTPRINTS SHOWN)

PN / dim	A	B	C
10056103-101ABC1(LF)	19.9	16.5	20
10056103-104ABC1(LF)	21.9	16.5	22
10056103-105ABC1(LF)	19.9	18.4	20
10056103-108ABC1(LF)	21.9	18.4	22

- NOTES:**
- CONNECTOR MATERIALS:  
HOUSING : HIGH TEMP THERMOPLASTIC, NATURAL, UL94V-0  
PROTECTION COVER : HIGH TEMP THERMOPLASTIC, BLACK, UL94V-0  
IMLA PLASTIC: HIGH TEMP THERMOPLASTIC, BLACK UL94V-0  
CONTACT: COPPER ALLOY
  - CONTACT PLATING:  
SEPARABLE INTERFACE: PERFORMANCE-BASED PLATING, QUALIFIED TO MEET THE REQUIREMENTS OF FCI PRODUCT SPECIFICATION GS-12-239, INCLUDING TELCORDIA GR-1217-CORE (NOV 1995)  
CENTRAL OFFICE TEST SEQUENCE.  
PRESS-FIT TAILS: TIN-LEAD (NON LEAD FREE) OR TIN OVER NICKEL (LEAD FREE)
  - PRODUCT SPECIFICATION: GS-12-239.
  - APPLICATION SPECIFICATION: GS-20-035. FLATROCK INSERTION INTO PCB BY PUSHING ON TOP OF SURFACE PROTECTION COVER
  - PRODUCT MARKING, (PARTNUMBER & LOTCODE).
  - PROTECTION COVER MUST BE REMOVED BEFORE MATING WITH RECEPTACLE CONNECTOR
  - SEE CUSTOMER DRAWING 10045979 FOR INFORMATION ON PCB HOLE DIAMETER AND PLATING OPTIONS.
  - LEAD FREE PARTNUMBERS MEETS THE EUROPEAN UNION DIRECTIVE AS DESCRIBED IN GS-22-008, SUB CLAUSE 3.2
  - THE HOUSING SHOULD WITHSTAND EXPOSURE TO 260°C PEAK TEMPERATURE FOR 40 SECONDS IN A CONVECTION, INFRA-RED OR VAPOR PHASE REFLOW OVEN.
  - PACKAGE PER GS-14-1086 AND GS-14-920 LEAD FREE LABELING SPEC.
  - THERE IS NO GROUND BUSSING WITHIN THE CONNECTOR SYSTEM.
  - IT IS RECOMMENDED TO PUT THIS VISIBLE LINE AND THE A1 INDICATION (TRIANGLE) ON THE PCB TO INDICATE PROPER ORIENTATION. OTHER VISIBLE POLARIZATION MARKS ARE A1 INDICATOR AND PRINTING SIDE. (SEE SHEET 3)
  - GRIPPING FEATURE TO REMOVE PROTECTION COVER BY FINGERS.
  - GRIPPING FEATURE TO REMOVE PROTECTION COVER BY STANDARD PLIERS.
  - A  $\triangle$  SYMBOL WILL BE NEXT TO ANY DIMENSION, VIEW OR NOTE WHICH HAS BEEN MODIFIED WITH THE CURRENT DRAWING REVISION.
  - THIS IS A CUSTOMER SPECIAL HOUSING TO BE LAZER MARKED WITH A SINGLE STRIP (1).



Copyright FCI.



spec ref	CONCEPT	dr	Matthew Cheong	2006/11/16	projection	mm	size	A3	scale	2:1
tolerance std	TOLERANCES UNLESS OTHERWISE SPECIFIED	eng	K R Mahoharan	2012/07/23			ecn no		ELX-S-012244-1	
ISO 406		chr	-					rel level		Released
ISO 1101		appr	Chen-Hong Tan	2012/10/12	product family	AirMax VS	rel level		Released	
surface	linear			AirMax VS VERTICAL HEADER		dwg no	10056103		rev	
ISO 1302	angular	www.fci.com		3 pair, 90 pos, 2mm, 10 IMLA				Product - Customer Drw		sheet 5 of 5

## X-ON Electronics

Largest Supplier of Electrical and Electronic Components

*Click to view similar products for [High Speed/Modular Connectors](#) category:*

*Click to view products by [Amphenol](#) manufacturer:*

Other Similar products are found below :

[2332816-1](#) [89006-1137LF](#) [650827-1](#) [65762-001LF](#) [73474-201LF](#) [74040-1346](#) [74075-0267](#) [88911-201LF](#) [9514M0C20D](#) [1410191-1](#)  
[1410337-1](#) [1410368-3](#) [1410964-2](#) [1410326-3](#) [1410367-3](#) [1410971-4](#) [1467833-1](#) [2000877-1](#) [2000878-1](#) [2041314-1](#) [2065387-1](#) [2187307-1](#)  
[2187462-1](#) [2226278-6](#) [KA81-07](#) [91290-101LF](#) [1934290-1](#) [2000875-1](#) [2065917-1](#) [2102736-2](#) [FSR-40](#) [2169868-2](#) [2226279-2](#) [22354-8](#) [437-](#)  
[5040-000](#) [5-1393565-0](#) [532449-3](#) [532803-2](#) [34745-0001](#) [0740618502](#) [0760151403](#) [0760551105](#) [0760551608](#) [0761451128](#) [0761651124](#)  
[0761655108](#) [0761659807](#) [0769853208](#) [0736440217](#) [0758324203](#)