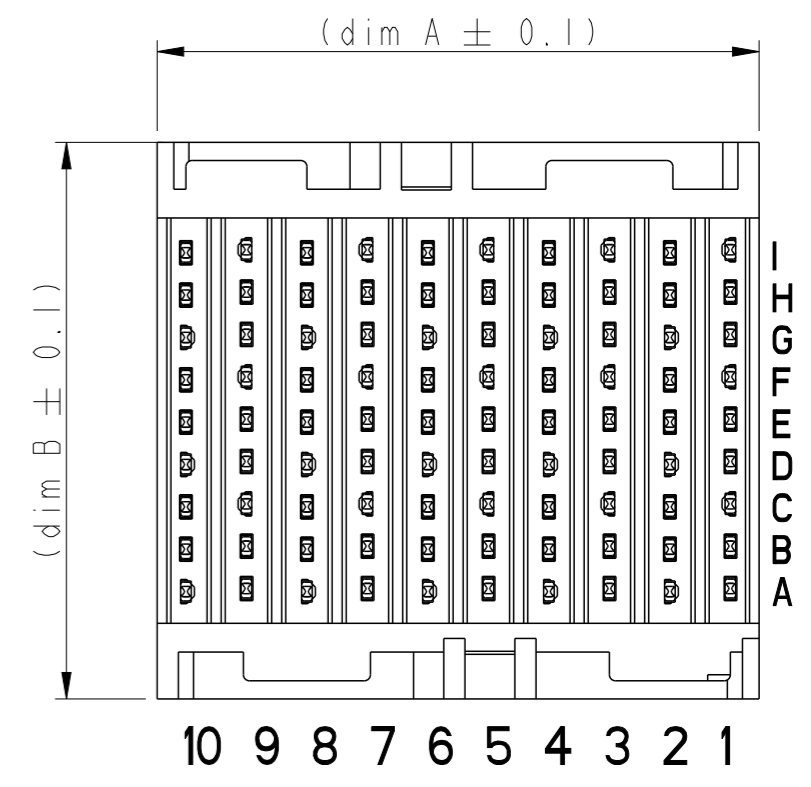
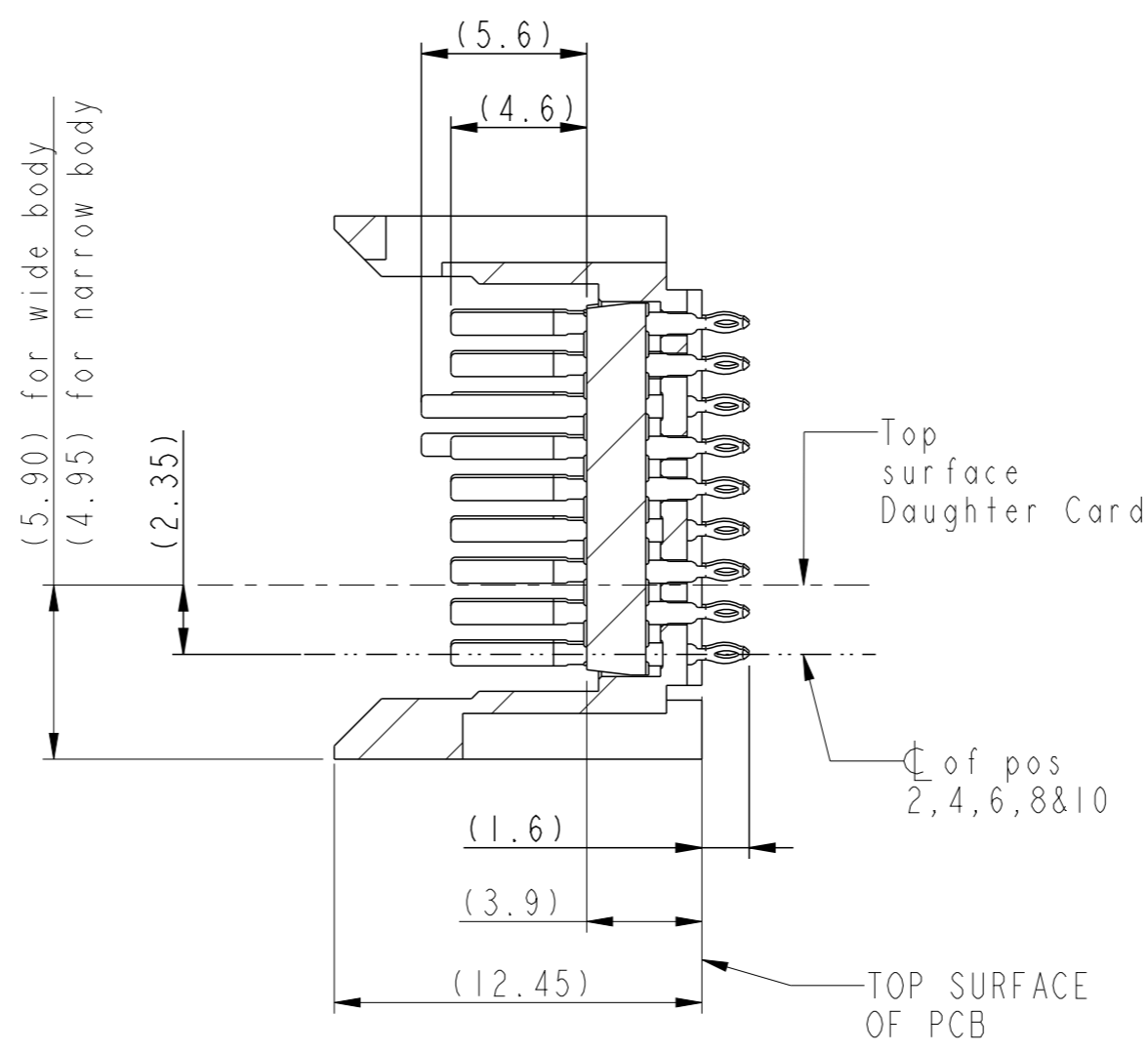
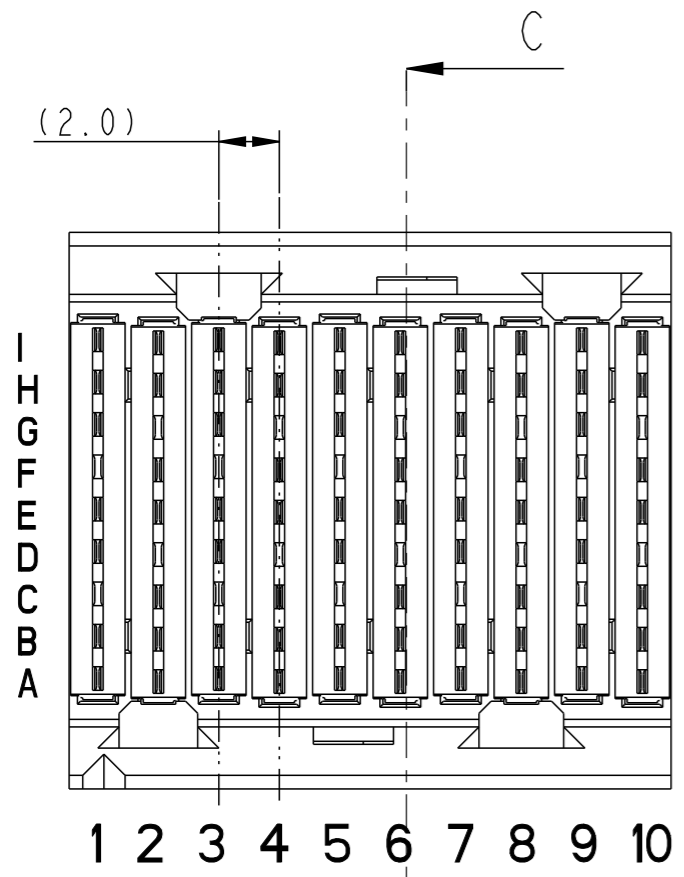


VIEWS WITHOUT PROTECTION COVER



For housing types and dim A and B see sheet 4

Partnumber:
10056103-IYZABC1 LF

- X = PLATING
- I=TELCORDIA CO GAS (see note 2 sheet 5)
- YZ = HOUSING TYPE
 - 01 = 2 wall narrow body
 - 04 = 4 wall narrow body
 - 05 = 2 wall wide body (STANDARD VISION)
 - 08 = 4 wall wide body
- ABC = PIN LAYOUT
 - 001 = standard layout (no detect pin)
 - xxx = other versions see sheet 2
- LF = Lead Free
- LF = Lead free product (see note 8 sheet 5)
- no suffix = Non lead free: available upon special request

2 WALL WIDE BODY VISION AS SHOWN

spec ref	CONCEPT	dr	Matthew Cheong	2006/11/16	projection	mm	size	A3	scale	2:1
tolerance std	TOLERANCES UNLESS OTHERWISE SPECIFIED	eng	K R Mahoharan	2012/07/23			ecn no	ELX-S-012244-1		
ISO 406		chr	-						rel level	Released
ISO 1101		appr	Chen-Hong Tan	2012/10/12	product family	AirMax VS				
surface	linear			title AirMax VS VERTICAL HEADER 3 pair, 90 pos, 2mm, 10 IMLA		dwg no 10056103		rev B		
	0.X ±									
	0.XX ±									
	0.XXX ±	www.fci.com		cat. no.		Product - Customer Drw		sheet 1 of 5		
ISO 1302	angular	0° ±								



Copyright FCI.

* Detection pin of 3.9mm possible on standard positions H5.
For other detection pin and options please consult FCI.

Partnumber \ Pin layout	5.6mm Longpins (typ gnd)	3.9mm * Short pin (typ detect)	4.6mm Otherpins (typ sign)
10056103-IYZ0011(LF)	F1,F3,F5,F7,F9 G2,G4,G6,G8,G10	-	all other positions
10056103-IYZ0031(LF)	F1,F3,F5,F7,F9 G2,G4,G6,G8,G10	H5	all other positions
10056103-IYZ0032(LF)	F1,F3,F5,F7,F9 G2,G4,G6,G8,G10	H5 (See Note 7)	all other positions

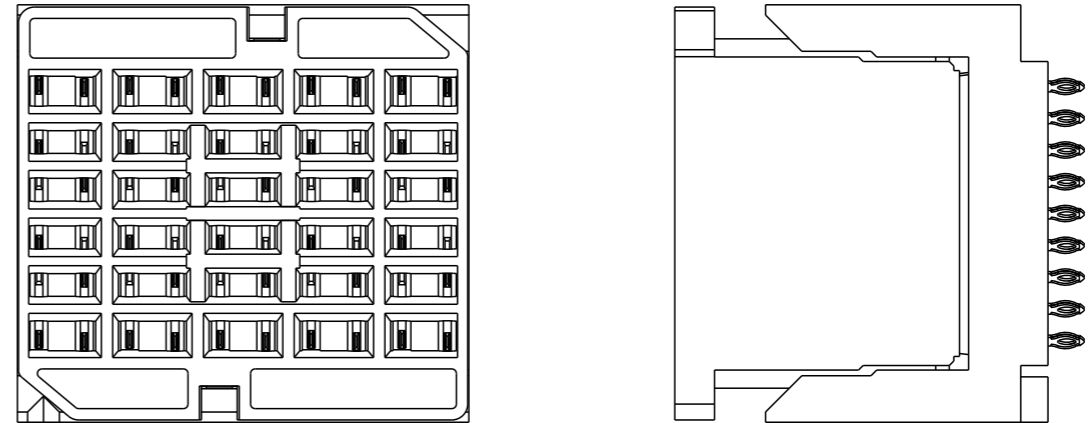
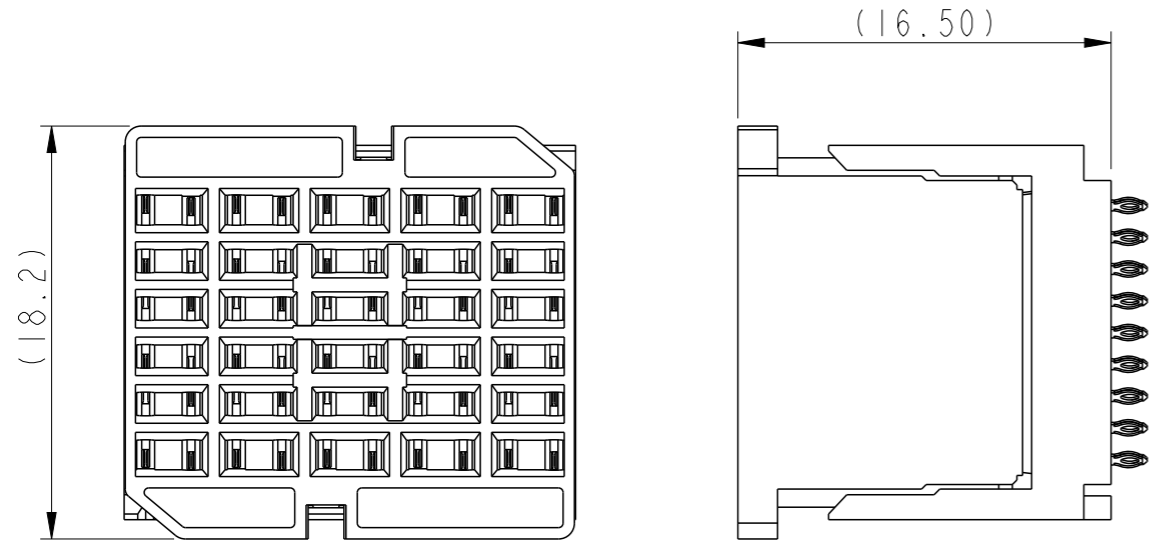


Copyright FCI.

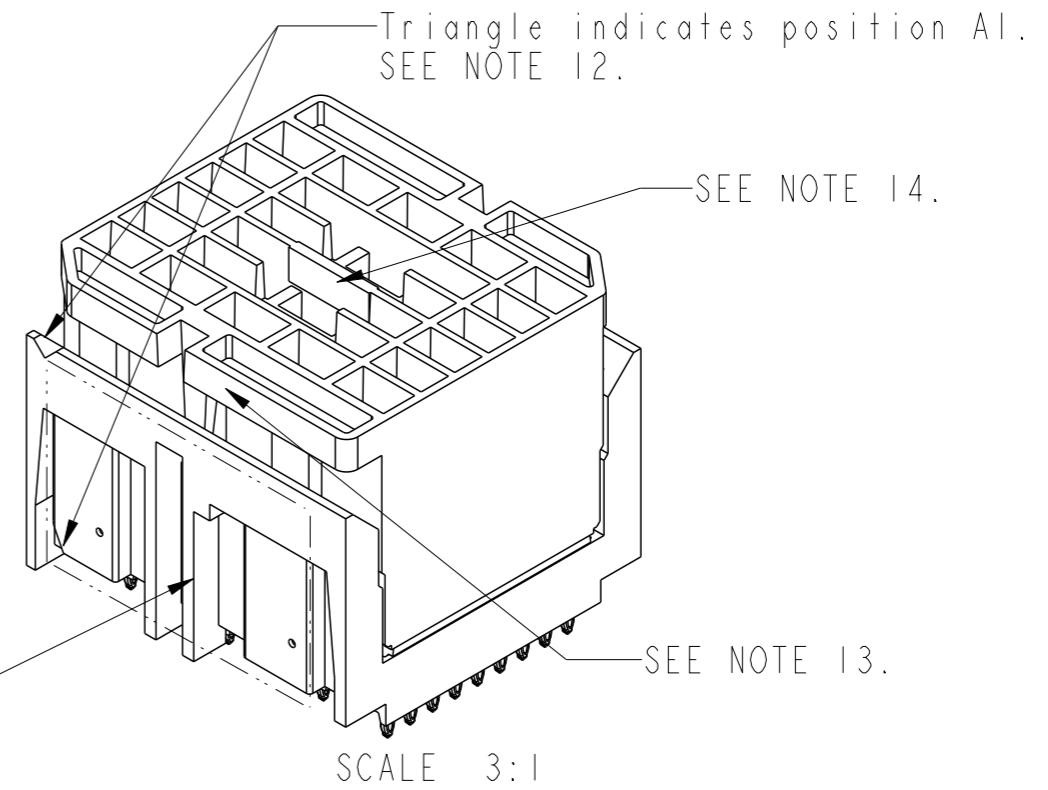
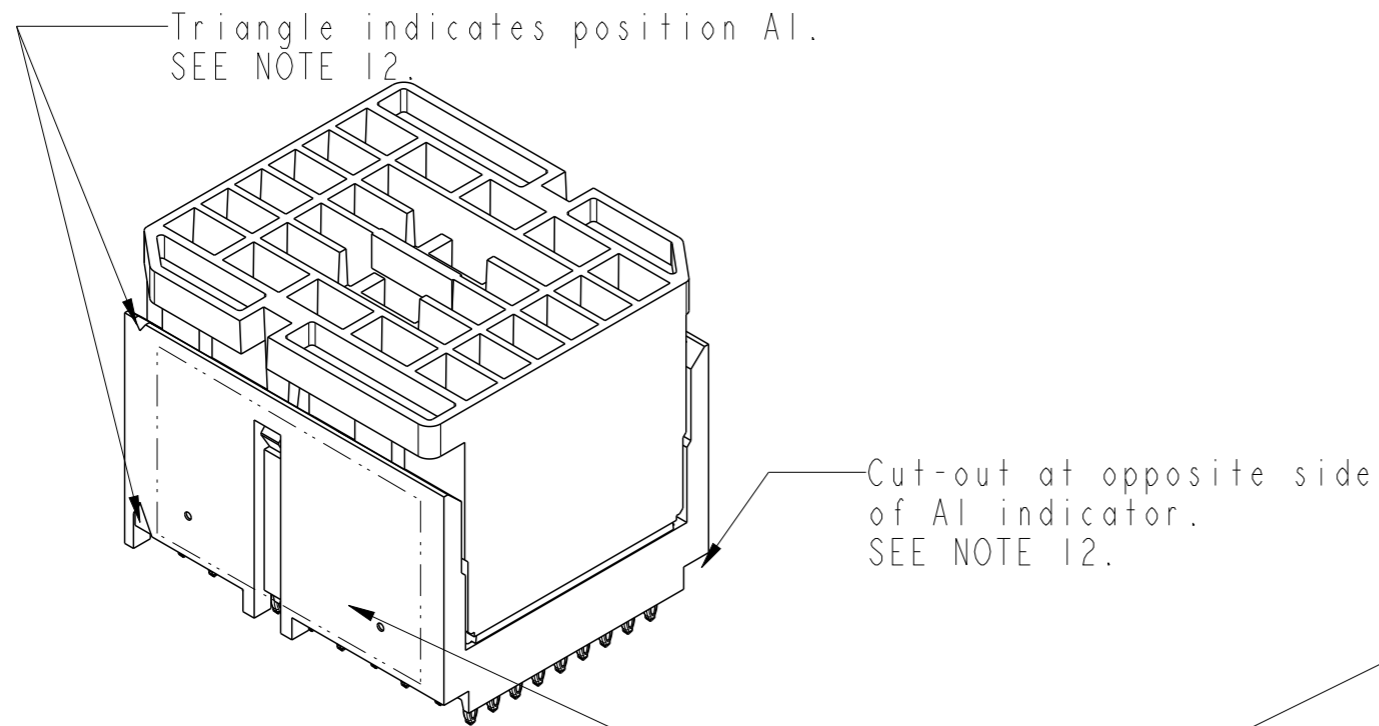
spec ref	CONCEPT			dr	Matthew Cheong	2006/11/16	projection	mm	size	A3	scale	2:1
tolerance std	TOLERANCES UNLESS OTHERWISE SPECIFIED			eng	K R Mahoharan	2012/07/23			ecn no			ELX-S-012244-1
ISO 406 ISO 1101				chr	-	-			rel level			Released
surface	linear	0.X	±		product family			AirMax VS	dwg no	10056103		rev
ISO 1302		0.XX	±		www.fci.com			cat. no.				
	angular	0°	±°		AirMax VS VERTICAL HEADER							B

NARROW BODY

WIDE BODY



SCALE 3:1



Copyright FCI.

spec ref	CONCEPT	dr	Matthew Cheong	2006/11/16	projection	mm	size	A3	scale	2:1
tolerance std	TOLERANCES UNLESS OTHERWISE SPECIFIED	eng	K R Mahoharan	2012/07/23			ecn no	ELX-S-012244-1	rel level	Released
ISO 406 ISO 1101		chr	-	-						
surface	linear	appr	Chen-Hong Tan	2012/10/12			dwg no	10056103	rev	B
ISO 1302	angular	www.fci.com		cat. no.	Product - Customer Drw		sheet 3 of 5			
	0.X ±									
	0.XX ±									
	0.XXX ±									
	0° ±									

1

2

3

4

NARROW BODY

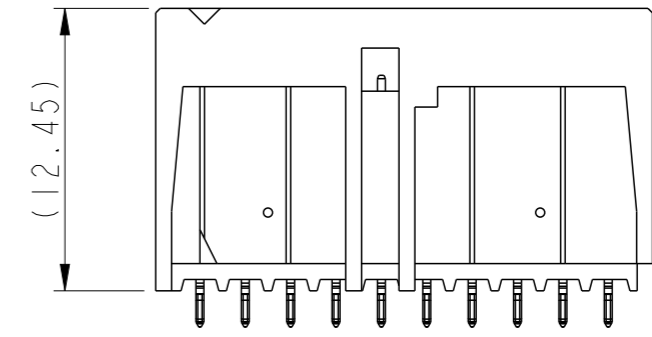
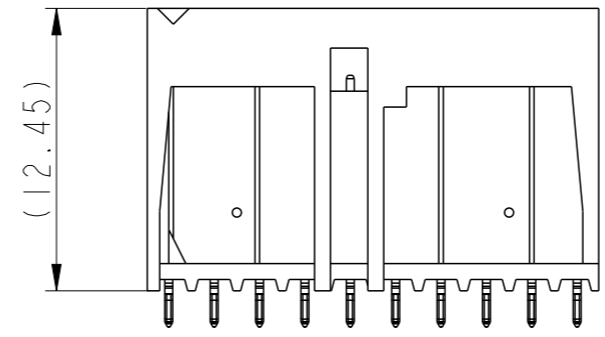
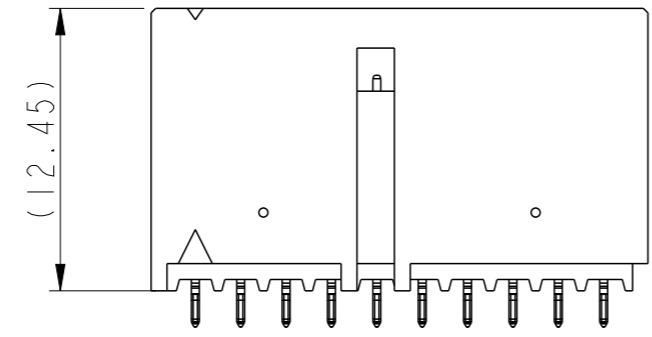
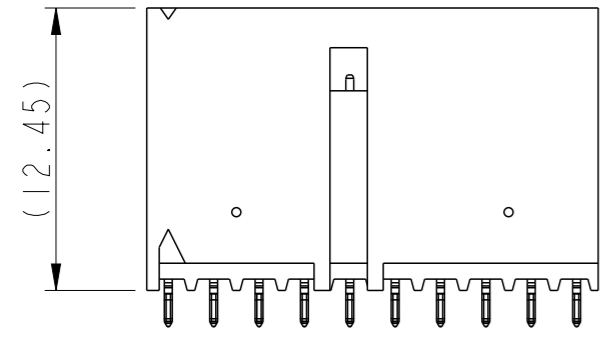
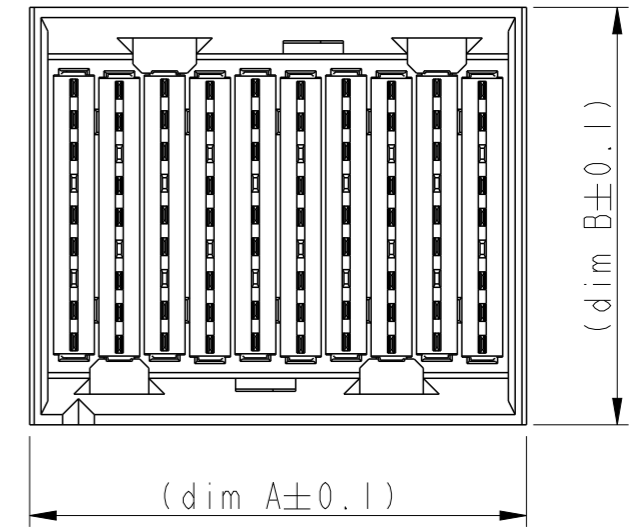
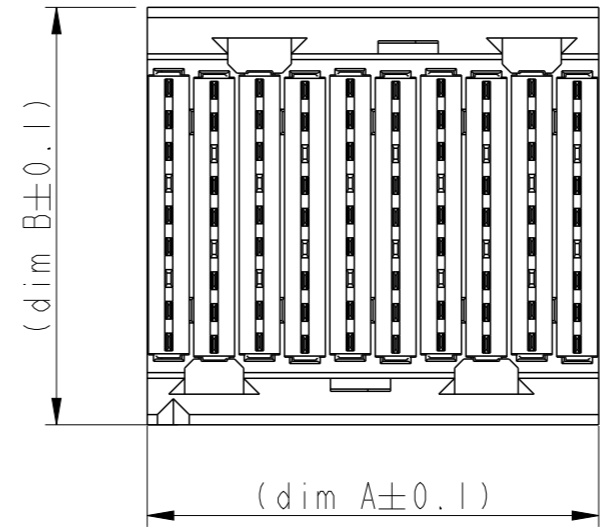
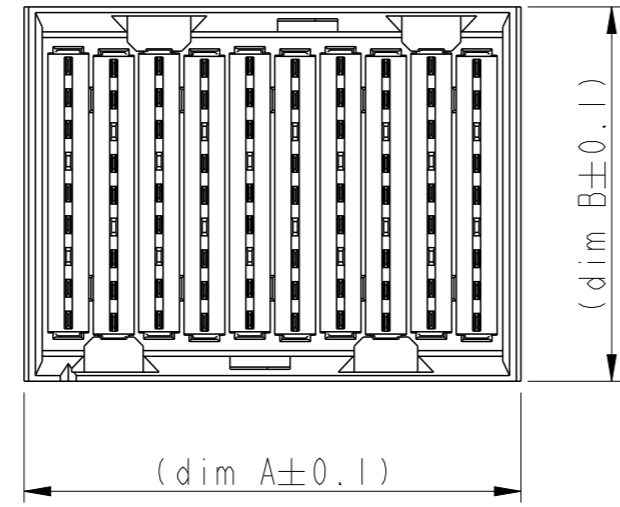
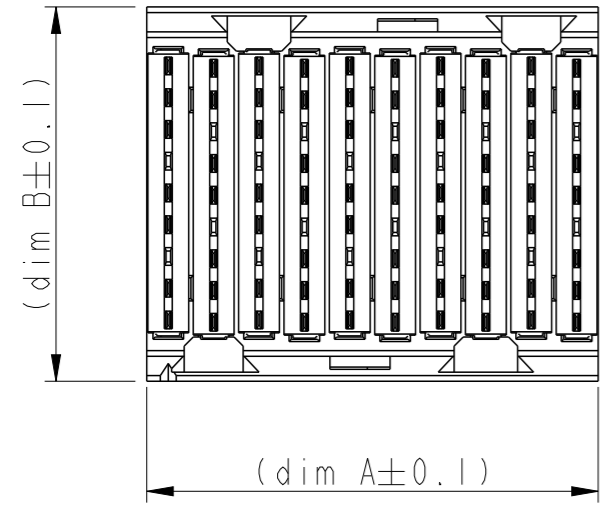
WIDE BODY

10056103 - 101ABCI

10056103 - 104ABCI

10056103 - 105ABCI

10056103 - 108ABCI



PN / dim	A	B
10056103-101ABCI (LF)	19.9	16.5
10056103-104ABCI (LF)	21.9	16.5
10056103-105ABCI (LF)	19.9	18.4
10056103-108ABCI (LF)	21.9	18.4

spec ref	CONCEPT	dr	Matthew Cheong	2006/11/16	projection	mm	size	A3	scale	2:1
tolerance std	TOLERANCES UNLESS OTHERWISE SPECIFIED	eng	K R Mahoharan	2012/07/23			ecn no	ELX-S-012244-1		
ISO 406		chr	-	-			rel level	Released		
ISO 1101		appr	Chen-Hong Tan	2012/10/12			product family	AirMax VS		
surface	linear	0.X	±		title AirMax VS VERTICAL HEADER 3 pair, 90 pos, 2mm, 10 IMLA	dwg no 10056103	rev B	ISO 1302		cat. no. Product - Customer Drw
	0.XX	±	angular					sheet 4 of 5		
	0.XXX	±	0°						±°	



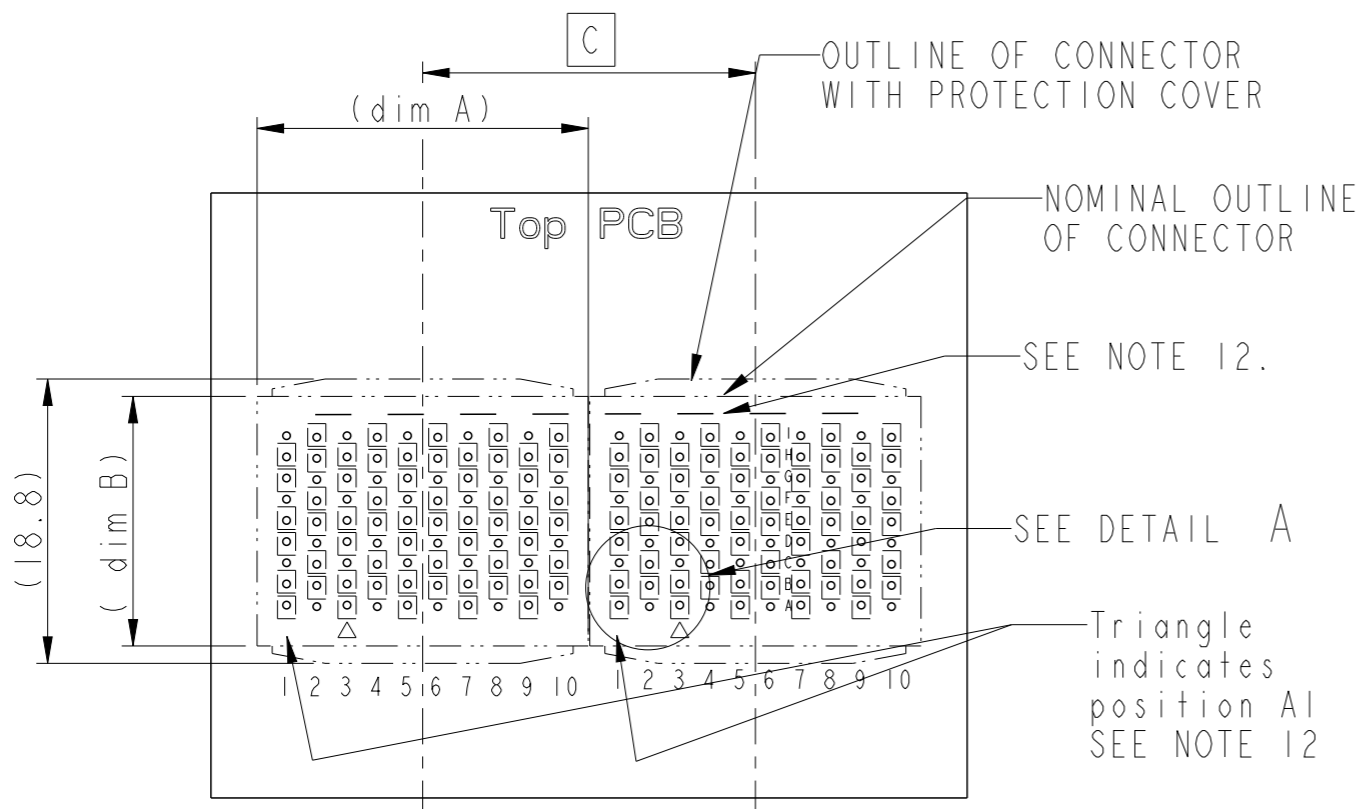
Copyright FCI.

1

2

3

4



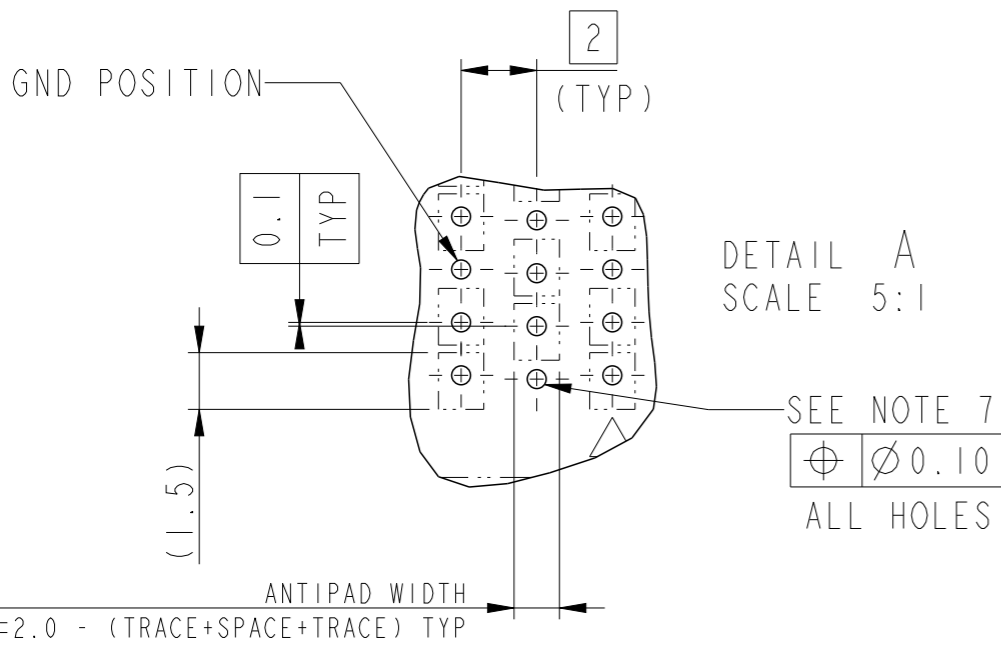
RECOMMENDED PCB LAYOUT FOR DIFFERENTIAL APPLICATIONS COMPONENT SIDE (TWO ADJACENT FOOTPRINTS SHOWN)

PN / dim	A	B	C
10056103-101ABC1(LF)	19.9	16.5	20
10056103-104ABC1(LF)	21.9	16.5	22
10056103-105ABC1(LF)	19.9	18.4	20
10056103-108ABC1(LF)	21.9	18.4	22

- NOTES:**
- CONNECTOR MATERIALS:
HOUSING : HIGH TEMP THERMOPLASTIC, NATURAL, UL94V-0
PROTECTION COVER : HIGH TEMP THERMOPLASTIC, BLACK, UL94V-0
IMLA PLASTIC: HIGH TEMP THERMOPLASTIC, BLACK UL94V-0
CONTACT: COPPER ALLOY
 - CONTACT PLATING:
SEPARABLE INTERFACE: PERFORMANCE-BASED PLATING, QUALIFIED TO MEET THE REQUIREMENTS OF FCI PRODUCT SPECIFICATION GS-12-239, INCLUDING TELCORDIA GR-1217-CORE (NOV 1995)
CENTRAL OFFICE TEST SEQUENCE.
PRESS-FIT TAILS: TIN-LEAD (NON LEAD FREE) OR TIN OVER NICKEL (LEAD FREE)
 - PRODUCT SPECIFICATION: GS-12-239.
 - APPLICATION SPECIFICATION: GS-20-035. FLATROCK INSERTION INTO PCB BY PUSHING ON TOP OF SURFACE PROTECTION COVER
 - PRODUCT MARKING, (PARTNUMBER & LOTCODE).
 - PROTECTION COVER MUST BE REMOVED BEFORE MATING WITH RECEPTACLE CONNECTOR
 - SEE CUSTOMER DRAWING 10045979 FOR INFORMATION ON PCB HOLE DIAMETER AND PLATING OPTIONS.
 - LEAD FREE PARTNUMBERS MEETS THE EUROPEAN UNION DIRECTIVE AS DESCRIBED IN GS-22-008, SUB CLAUSE 3.2
 - THE HOUSING SHOULD WITHSTAND EXPOSURE TO 260°C PEAK TEMPERATURE FOR 40 SECONDS IN A CONVECTION, INFRA-RED OR VAPOR PHASE REFLOW OVEN.
 - PACKAGE PER GS-14-1086 AND GS-14-920 LEAD FREE LABELING SPEC.
 - THERE IS NO GROUND BUSSING WITHIN THE CONNECTOR SYSTEM.
 - IT IS RECOMMENDED TO PUT THIS VISIBLE LINE AND THE A1 INDICATION (TRIANGLE) ON THE PCB TO INDICATE PROPER ORIENTATION. OTHER VISIBLE POLARIZATION MARKS ARE A1 INDICATOR AND PRINTING SIDE. (SEE SHEET 3)
 - GRIPPING FEATURE TO REMOVE PROTECTION COVER BY FINGERS.
 - GRIPPING FEATURE TO REMOVE PROTECTION COVER BY STANDARD PLIERS.
 - A \triangle SYMBOL WILL BE NEXT TO ANY DIMENSION, VIEW OR NOTE WHICH HAS BEEN MODIFIED WITH THE CURRENT DRAWING REVISION.
 - THIS IS A CUSTOMER SPECIAL HOUSING TO BE LAZER MARKED WITH A SINGLE STRIP (1).



Copyright FCI.



spec ref	CONCEPT	dr	Matthew Cheong	2006/11/16	projection	mm	size	A3	scale	2:1
tolerance std	TOLERANCES UNLESS OTHERWISE SPECIFIED	eng	K R Mahoharan	2012/07/23			ecn no	ELX-S-012244-1		
ISO 406 ISO 1101		chr	-	-			rel level	Released		
surface	linear	appr	Chen-Hong Tan	2012/10/12	product family	AirMax VS	dwg no	10056103	rev	B
ISO 1302	angular	www.fci.com		cat. no.	Product - Customer Drw		sheet 5 of 5			

X-ON Electronics

Largest Supplier of Electrical and Electronic Components

Click to view similar products for [High Speed/Modular Connectors](#) category:

Click to view products by [Amphenol](#) manufacturer:

Other Similar products are found below :

[2332816-1](#) [89006-1137LF](#) [650827-1](#) [65762-001LF](#) [73474-201LF](#) [74040-1346](#) [74075-0267](#) [88911-201LF](#) [9514M0C20D](#) [1410191-1](#)
[1410337-1](#) [1410368-3](#) [1410964-2](#) [1410326-3](#) [1410367-3](#) [1410971-4](#) [1467833-1](#) [2000877-1](#) [2000878-1](#) [2041314-1](#) [2065387-1](#) [2187307-1](#)
[2187462-1](#) [2226278-6](#) [KA81-07](#) [91290-101LF](#) [1934290-1](#) [2000875-1](#) [2065917-1](#) [2102736-2](#) [FSR-40](#) [2169868-2](#) [2226279-2](#) [22354-8](#) [437-](#)
[5040-000](#) [5-1393565-0](#) [532449-3](#) [532803-2](#) [34745-0001](#) [0740618502](#) [0760151403](#) [0760551105](#) [0760551608](#) [0761451128](#) [0761651124](#)
[0761655108](#) [0761659807](#) [0769853208](#) [0736440217](#) [0758324203](#)