

PRODUCT NUMBER
10056844-YXXXLF

LEAD FREE, ROHS COMPATIBLE, NOTE 8.
PACKAGING SEE NOTE 5

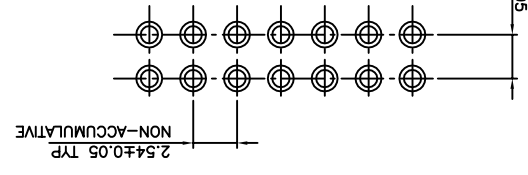
STYLE	SIZE
06	2x03
08	2x04
10	2x05
14	2x07
16	2x08
20	2x10
26	2x13
30	2x15
34	2x17
40	2x20

- 1 - 0.76µm GOLD/GXT
1.27µm NICKEL MIN UNDERPLATING
2µm MIN MATTE TIN ON TAILS.
(PAIN! WITH GOLD FLASH) ON CONTACT AREA

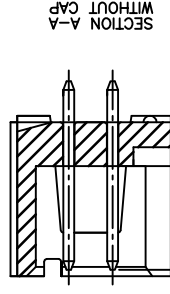
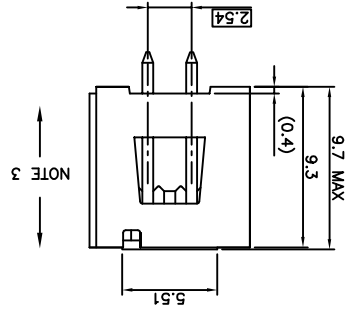
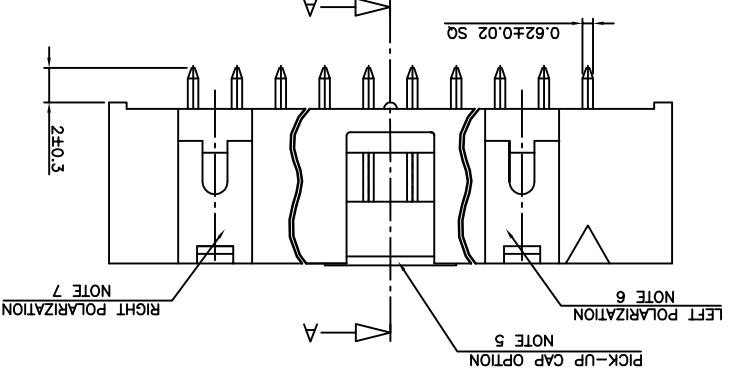
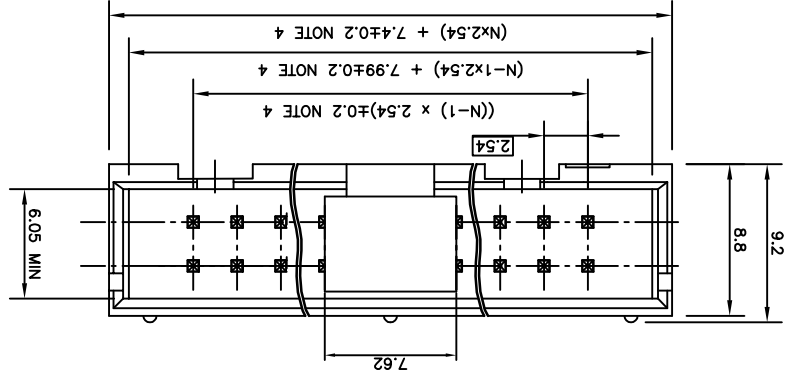
- NOTES:
- HOUSING MATERIAL: HIGH TEMPERATURE THERMOPLASTIC, UL94 V-0 COLOR BLACK.
 - CONTACT MATERIAL: COPPER ALLOY
 - MINIMUM PUSH OUT FORCE OF PIN IN EITHER DIRECTION : 20N BEFORE SOLDERING.
 - TO DETERMINE DIMENSIONS :
N = NUMBER OF POSITIONS PER ROW
EXAMPLE : 8 POS N x 2.54 = 20.32mm

- PACKAGING:
A = TAPE & REEL WITH PICK-UP CAP.
SEE TA-893 FOR PRODUCT AVAILABILITY.
= TUBE WITHOUT PICK-UP CAP
- NO LEFT POLARIZATION ON STYLE 06, 08, 10, 14.
- NO RIGHT POLARIZATION ON STYLE 06, 08.
- ROHS COMPLIANT & COMPATIBLE PRODUCT SPECIFICATIONS

- PLATING:
"LF" MEANS THE PRODUCT IS LEAD-FREE AND ROHS COMPLIANT
2µm MINIMUM MATTE TIN ON TAILS OVER 1.27µm MINIMUM NICKEL UNDERPLATE.
- THIS PRODUCT MEETS EUROPEAN UNION DIRECTIVES AND OTHER COUNTRY REGULATIONS AS PER GS-47-0004
- MANUFACTURING PROCESS COMPATIBILITY
- THE HOUSING WILL WITHSTAND EXPOSURE TO 260° PEAK TEMPERATURE FOR 10-30 SECONDS IN A CONNECTION INFRA-RED OR VAPOR PHASE REFLOW OVEN.



RECOMMENDED 1.6MM THICK PCB LAYOUT,
STENCIL DESIGN RECOMMENDATIONS AS PER TA-894



mat'l. code		NOTES 1, 2		surface		tolerance		projection		product family	
ltf	ecn no	dr	date	tolerances unless otherwise specified	ISO 1302	ISO 406	ISO 1101	mm	ISO 1101	OKIE HDR	OKIE HDR
H	B-19564	BVE	14.11.27	x ± 0.3	linear	xxx ± 0.15	angles	mm	xxx ± 0.05	scale 1:1	LOW PROFILE PIN IN PASTE
C	F07-0192	LMU	07.05.22								
D	F07-0198	LMU	07.05.30	dr	LMU	05.05.30					
E	F08-0146	YOV	08.04.11	engr	JCO	06.07.17					
F	F09-0098	LMU	09.09.28	chr							
G	B-19070	LMU	14.10.15	qppd	U COMPAGNON	06.07.17					
sheet	revision										
index	sheet										

product family		title		projection		scale 1:1		dwg no		sheet 1 of 1 size	
OKIE HDR		OKIE HEADER		LOW PROFILE PIN IN PASTE		10056844		CUSTOMER		Drawing	

X-ON Electronics

Largest Supplier of Electrical and Electronic Components

Click to view similar products for [Headers & Wire Housings](#) category:

Click to view products by [Amphenol](#) manufacturer:

Other Similar products are found below :

[95000-104TRLF](#) [10135584-644402LF](#) [DF62W-EP2022PCA](#) [95000-106TRLF](#) [DF62W-2022SCA](#) [DF62W-EP2022PC](#) [2203348](#) [DF62W-2022SC](#) [1084018](#) [1029039](#) [1084017](#) [802-10-012-10-002000](#) [1112640](#) [1112639](#) [891-007-9SS-BST1T](#) [000-34000](#) [0008550134](#) [0009482033](#) [0009507031](#) [57102-F02-18ULF](#) [57102-S06-03LF](#) [57202-S52-04LF](#) [PCN6-15S-2.5E](#) [0039019024](#) [58102-G61-06LF](#) [582553-1](#) [0009485154](#) [0009508121](#) [0022285053](#) [0050291907](#) [018731A](#) [LY20-4P-DT1-P1E-BR](#) [02.125.8002.8](#) [60101931](#) [60598-1 \(Cut Strip\)](#) [M1625-3R/100](#) [61062-3](#) [61082-181009](#) [CSU011177004](#) [636-1427](#) [638009-1](#) [641938-9](#) [641991-4](#) [644168-1](#) [644827-2](#) [647662-1](#) [65039-019ELF](#) [65692-001LF](#) [65781-018](#) [65781-047](#)