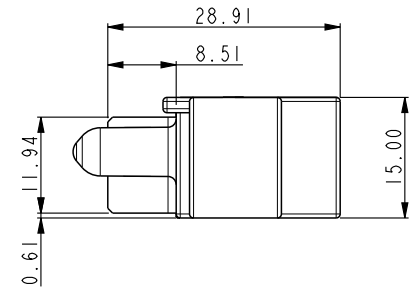
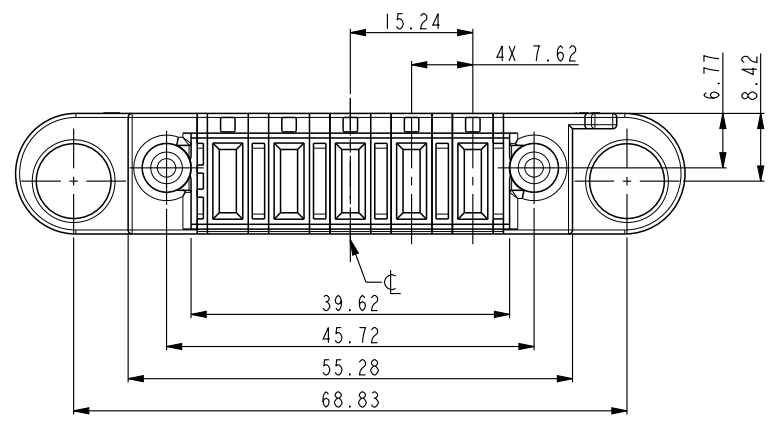
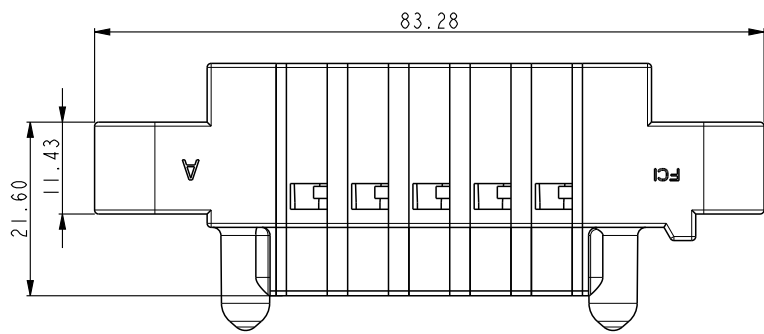


PART NUMBER 10066440-DGC0200LF	ROWS	E		POWER					E
		P5	P4	P3	P2	P1			
	D								
	C	FM	FM	FM	FM	FM			
	B								
A									



CONTACT WIRE TABLE	
CONTACT PITCH	WIRE GAUGE
7.62	8-9
6.35	10-11
	12-14
5.08	12-14
2.54	22-26
CONTACT TABLE	
CODE	DESCRIPTION
FM	FIRST MATE CONTACT
LM	LAST MATE CONTACT
S	SIGNAL CONTACT

REV	DESCRIPTION	ECN NO
B	MODIFY NOTES	ELX-N-21259-1

spec ref	*	dr	Yong Zhang	2014/10/12	projection	MM	size	A4	scale	1:1
tolerance std	TOLERANCES UNLESS OTHERWISE SPECIFIED	eng	Yong Zhang	2015/06/29		←→	ecn no	ELX-N-21259-1		
		chr	-	-				rel level	Released	
surface	linear	appr	Guo-Feng Jin	2015/06/30	product family	PWRBLADE	rel level	Released		
	angular				title	5ACP PM		dwg no	10066440-DGC0200LF	
									rev	B
					cat. no.	*	Product - Customer Drw	sheet 1 of 2		



Copyright FCI.

1

2

3

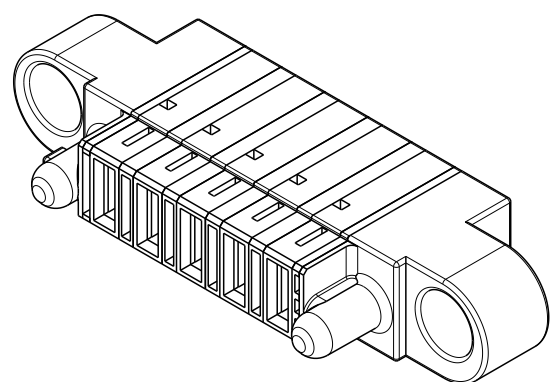
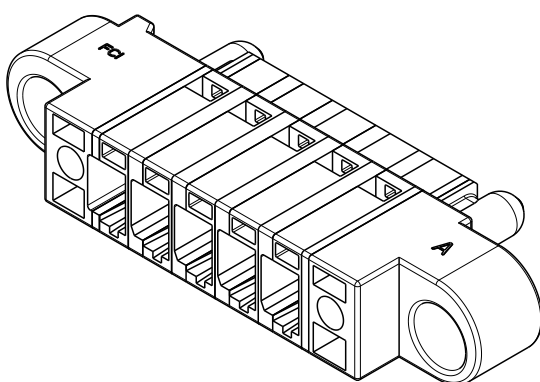
4

A

B

C

D



Note:

1. Material:thermo plastic,ul94 v-0
2. Bulkhead thickness range:0.79-2.54
3. Color:black
4. Applicable components
 Applicable power crimp contact: 10132418-*****LF
 Applicable contact secondary lock:10073097-DGC001LF
 Applicable signal contact 76347-DGC302LF
 Applicable latch 10066441-DGC001LF for STR version
5. Product Spec: GS-12-474
6. Application Spec: GS-20-0445
7. The part is been sold as loose piece and fci guarantees is the part in compliance with this customer drawing statement. The product spec for cable assembly can be only as the reference document because the testing and spec is based on using fci raw cable and cable asseymble. If the raw cable and cable assembly is outside suppliers sourced by cusotmers, customers or cable assembly suppliers should be fully responsible for the cable assy quality.



Copyright FCI.

spec ref *		dr Yong Zhang		2014/10/12		projection 	MM ←————→	size	A4	scale	1:1
tolerance std TOLERANCES UNLESS OTHERWISE SPECIFIED		eng Yong Zhang		2015/06/29				ecn no		ELX-N-21259-1	
		chr -		-				rel level		Released	
surface ✓		linear		0.X ±0.5				title 5ACP PM PowerBlade Cable Housing		dwg no 10066440-DGC0200LF rev B	
				0.XX ±0.25							
		angular		0° ±°						sheet 2 of 2	

PrdE File - REV C - 2009-06-09

2

3

PDS: Rev :B

STATUS:Released

Printed: Jul 01, 2015

X-ON Electronics

Largest Supplier of Electrical and Electronic Components

Click to view similar products for [Power to the Board](#) category:

Click to view products by [Amphenol](#) manufacturer:

Other Similar products are found below :

[6450171-4](#) [6450552-7](#) [6600323-8](#) [6643429-1](#) [6646040-2](#) [6651939-1](#) [6766604-1](#) [120959-1](#) [1393557-2](#) [1393532-2](#) [1393532-3](#) [1393532-4](#)
[1393557-1](#) [1600812-5](#) [1-6450861-2](#) [1744132-7](#) [1761122-1](#) [1766250-1](#) [1892109-1](#) [2-6450860-5](#) [2-6450870-0](#) [1-6450161-4](#) [1-6450850-6](#) [1-](#)
[6450869-6](#) [1645526-2](#) [1-6600130-0](#) [2005243-2](#) [TE34-12-16P-F0](#) [5-6450830-6](#) [5646956-4](#) [4-6450830-9](#) [4-6600333-3](#) [10125416-4050LF](#)
[6600320-3](#) [3-6450860-5](#) [1888123-2](#) [6450166-1](#) [6643978-1](#) [6766605-1](#) [N11444](#) [6651938-1](#) [6450810-7](#) [46437-1112](#) [1-1589677-8](#) [5646956-5](#)
[6450813-2](#) [6450129-4](#) [1645523-1](#) [PSS-06-01-T-S](#) [0465621864](#)