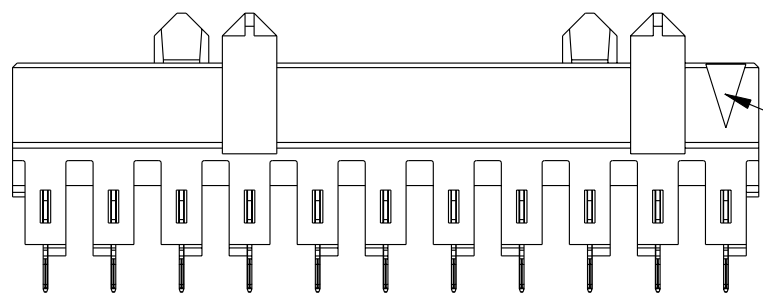
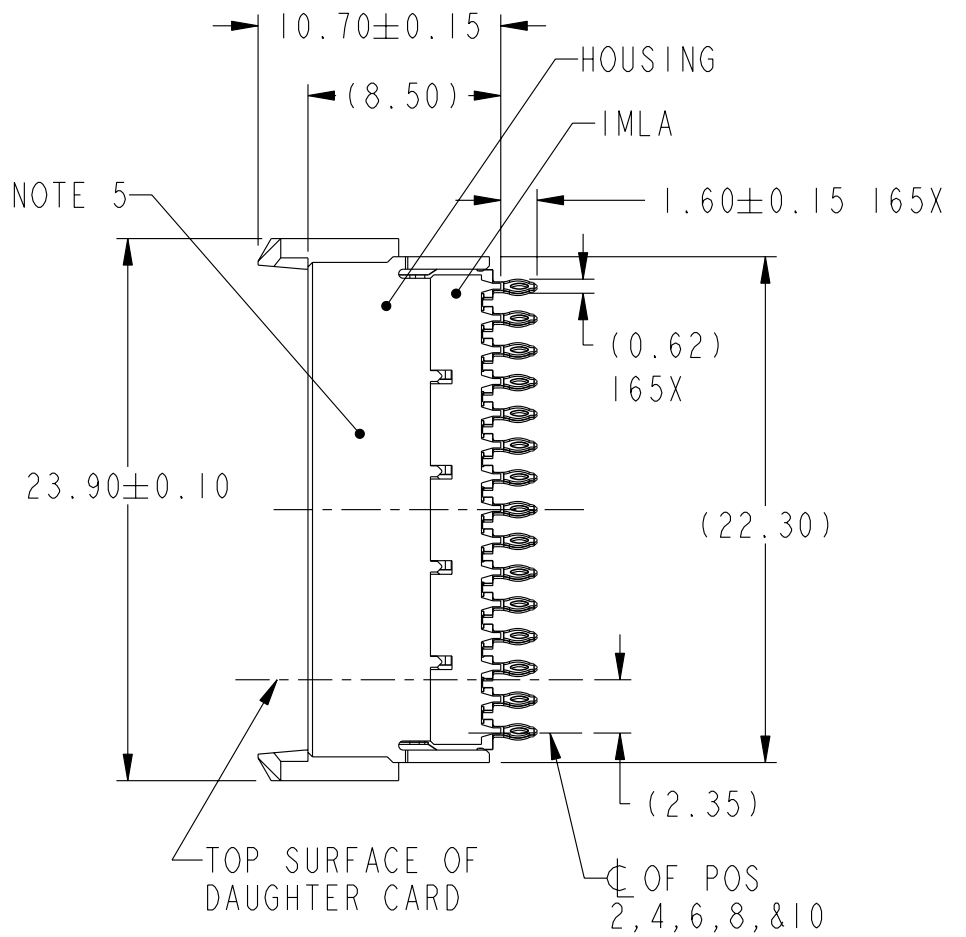
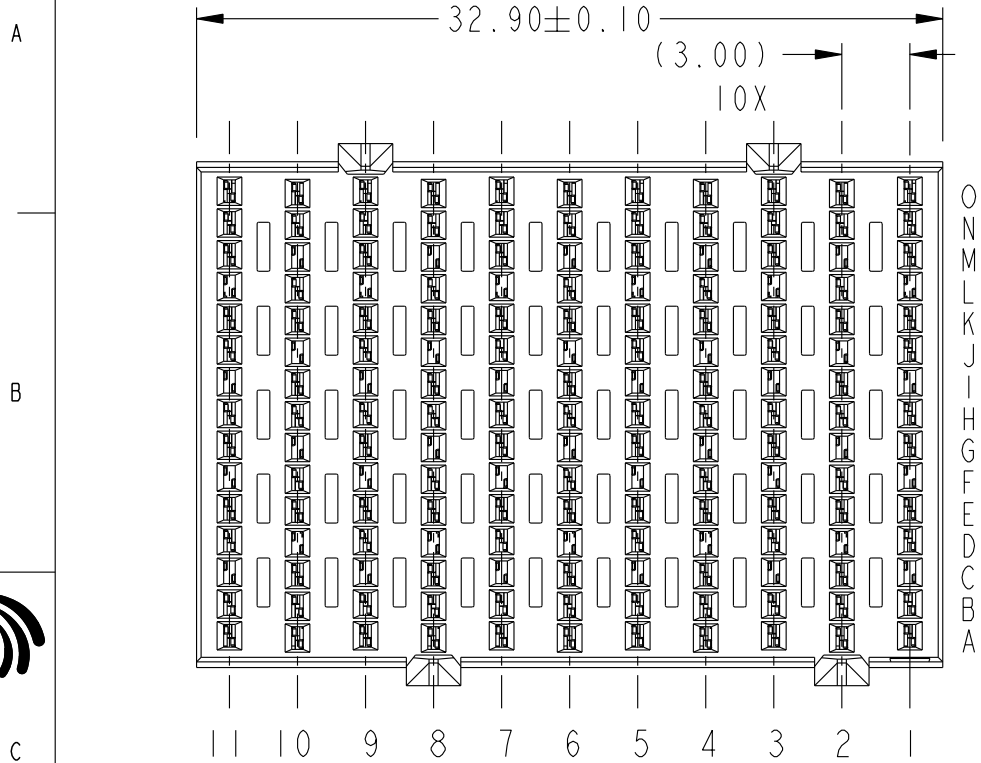


Product number  
SEE TABLE, SHEET 4



rev	ecn no	dr	date
A	S07-0058	CH	2007-02-22
-	-	-	-
-	-	-	-
-	-	-	-
-	-	-	-
-	-	-	-

www.fciconnect.com		surface 3.2 ASME Y14.5	tolerance std ASME Y14.5	projection	MM
		TOLERANCES UNLESS OTHERWISE SPECIFIED			
Dr	C. H. TAN	2006-05-08	ANGULAR	size	A4
Eng	C. H. TAN	2006-05-08	LINEAR	0.X	±
Chr	C. H. TAN	2007-02-22	0° ±°	0.XX	±
Appr	JOEY NG	2007-02-22	Product family	AirMax VS	Spec ref
		AirMax VS VERT RECPT ASSY		dwg no	10068995
		PRESS-FIT, 165 POSITION, 33mm		Rev.	A
catalog no		-		CUSTOMER	sheet 1 of 4



Copyright FCI.

1

2

3

4

A

B

C

D

A

B

C

D

3.00 TYP

ANTIPAD WIDTH=  
3.0-(4TRACES + 3 SPACES)  
TYP

3.200  
TYP

GND POSITION

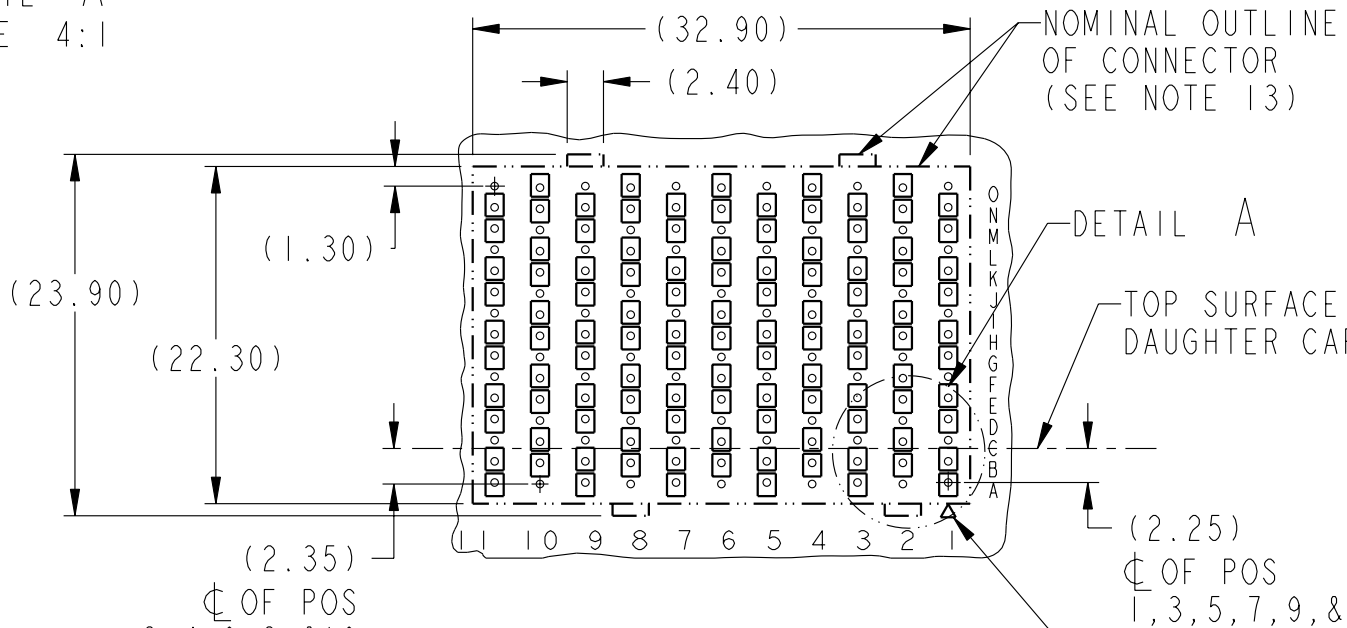
1.40 TYP

SEE NOTE 9

⊕ 0.10  
ALL HOLES

DETAIL A  
SCALE 4:1

0.10 TYP



RECOMMENDED PCB LAYOUT  
FOR DIFFERENTIAL APPLICATIONS,  
COMPONENT SIDE  
NOTES 6 & 7

NOMINAL OUTLINE  
OF CONNECTOR  
(SEE NOTE 13)

DETAIL A

TOP SURFACE OF  
DAUGHTER CARD

(2.25)  
C of POS  
1, 3, 5, 7, 9, & 11

POSITION AI INDICATOR  
(SEE NOTE 13)



Copyright FCI.



TITLE	AirMax VS VERT RECPT ASSY		dwg no	10068995	Rev.	A
	PRESS-FIT, 165 POSITION, 33mm					
CATALOG NO	-		CUSTOMER	sheet 2 of 4		

1

2

3

4

A

B

C

D

A

B

C

D

3.00 TYP

ANTIPAD WIDTH=  
3.0-(4TRACES + 3 SPACES)  
TYP

1.80  
TYP

GND POSITION

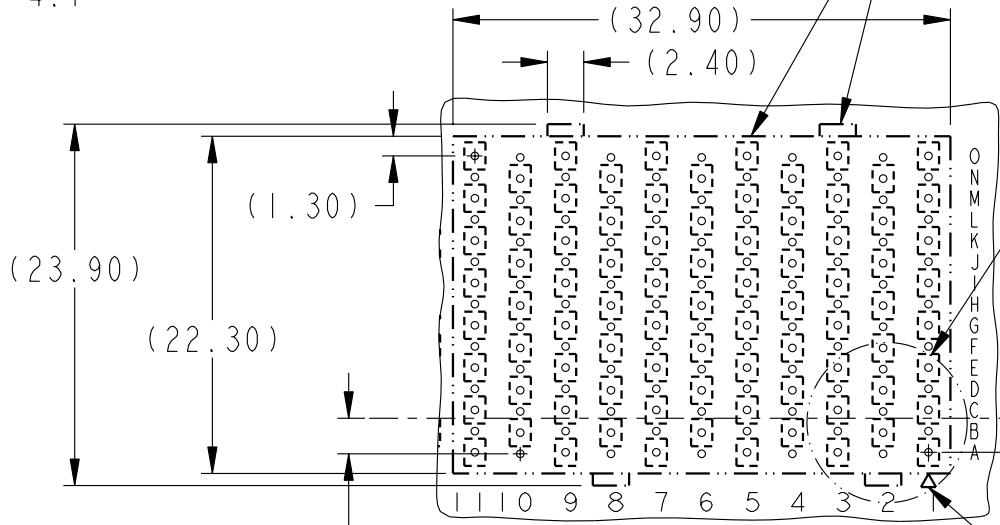
1.40 TYP

SEE NOTE 9  
⊕ 0.10  
ALL HOLES

DETAIL B  
SCALE 4:1

0.10 TYP

NOMINAL OUTLINE  
OF CONNECTOR  
(SEE NOTE 13)



DETAIL B

TOP SURFACE OF  
DAUGHTER CARD

(2.35)  
⊕ OF POS  
2, 4, 6, 8, & 10

(2.25)  
⊕ OF POS  
1, 3, 5, 7, 9, & 11

RECOMMENDED PCB LAYOUT  
FOR SINGLE ENDED APPLICATIONS,  
COMPONENT SIDE  
NOTES 6 & 7

POSITION A1 INDICATOR  
(SEE NOTE 13)



Copyright FCI.



title	AirMax VS VERT RECPT ASSY		dwg no	10068995	Rev.	A
	PRESS-FIT, 165 POSITION, 33mm					
catalog no	-	CUSTOMER	sheet 3 of 4			

REV F - 2006-04-17

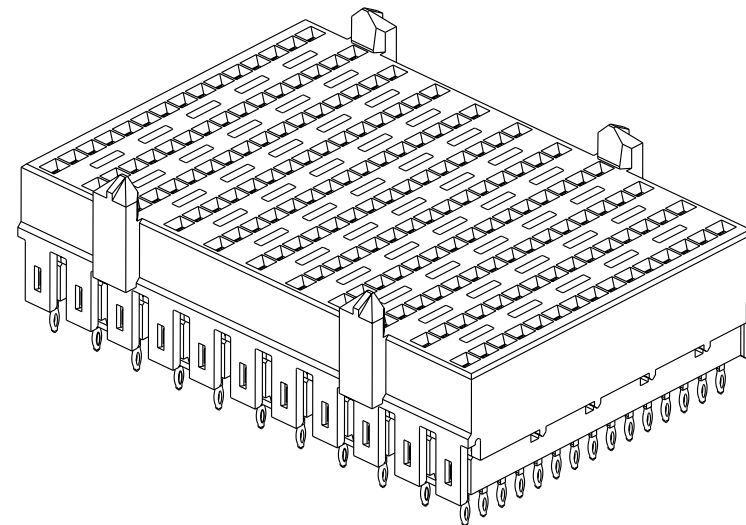
2

PDM: Rev:A

STATUS: Released

4 Printed: Dec 01, 2010

PART NUMBER	PRESS-FIT TAIL PLATING TYPE
10068995-101LF	TIN OVER NICKEL (LEAD FREE)



NOTES:

1. CONNECTOR MATERIALS:  
HOUSING & RETAINER: HIGH TEMP THERMOPLASTIC, NATURAL, UL94V-0  
IMLA PLASTIC: HIGH TEMP THERMOPLASTIC, BLACK, UL94V-0  
CONTACT: COPPER ALLOY
2. CONTACT PLATING:  
SEPARABLE INTERFACE:  
PERFORMANCE-BASED PLATING, QUALIFIED TO MEET THE REQUIREMENTS OF FCI PRODUCT SPECIFICATION GS-12-239, INCLUDING TELCORDIA GR-1217-CORE (November 1995) CENTRAL OFFICE TEST SEQUENCE  
  
PRESS-FIT TAILS: SEE TABLE
3. PRODUCT SPECIFICATION: GS-12-239
4. APPLICATION SPECIFICATION: GS-20-035
5. PRODUCT MARKING, (PART NUMBER & LOT CODE), ON THIS SURFACE
6. REFER TO CUSTOMER DRAWING 10035911 FOR INFORMATION REGARDING PCB LAYOUT OF POWER AND GUIDE MODULES RELATIVE TO SIGNAL MODULES
7. POSITIONS F & L OF ODD NUMBERED COLUMNS AND POSITIONS G & M OF EVEN NUMBERED COLUMNS CORRESPOND TO EARLY MATE HEADER PINS
8. THERE IS NO GROUND BUSSING WITHIN THE CONNECTOR SYSTEM
9. REFER TO CUSTOMER DRAWING 10045979 FOR INFORMATION ON PCB HOLE DIAMETERS AND PLATING OPTIONS.
10. THIS PRODUCT MEETS EUROPEAN UNION DIRECTIVES AND OTHER COUNTRY REGULATIONS AS DESCRIBED IN GS-22-008.
11. THE HOUSING WILL WITHSTAND EXPOSURE TO 260°C PEAK TEMPERATURE FOR 40 SECONDS IN A CONVECTION, INFRA-RED OR VAPOR PHASE REFLOW OVEN.
12. PACKAGING MEETS GS-14-920 LEAD FREE LABELING SPECIFICATION.
13. CONNECTOR OUTLINE AND POSITION AI INDICATOR MAY BE SCREEN PRINTED ONTO CUSTOMER PCB TO USE AS A REFERENCE FOR MANUAL CONNECTOR PLACEMENT.



Copyright FCI.

FCI	title	AirMax VS VERT RECPT ASSY	dwg no	10068995	Rev.	A
		PRESS-FIT, 165 POSITION, 33mm				
	catalog no	-	CUSTOMER	sheet 4 of 4		

## X-ON Electronics

Largest Supplier of Electrical and Electronic Components

*Click to view similar products for [High Speed/Modular Connectors](#) category:*

*Click to view products by [Amphenol](#) manufacturer:*

Other Similar products are found below :

[650827-1](#) [74040-1346](#) [1410191-1](#) [1410337-1](#) [1410368-3](#) [1410964-2](#) [1410326-3](#) [1410367-3](#) [1410971-4](#) [1467833-1](#) [2000877-1](#) [2000878-1](#)  
[2041314-1](#) [2065387-1](#) [2187307-1](#) [163P](#) [1934290-1](#) [2000875-1](#) [2065917-1](#) [2102736-2](#) [FSR-40](#) [2169868-2](#) [22354-8](#) [437-5040-000](#) [5-](#)  
[1393565-0](#) [039-0246-000](#) [0740618502](#) [0761601016](#) [10123159-12ELF](#) [030-2415-003/100 PK](#) [030-7380-004](#) [030-2494-001](#) [532939-1](#)  
[5532901-3](#) [3-1469268-7](#) [74748-102LF](#) [73670-0247](#) [10041743-101LF](#) [10066670-100002LF](#) [1-533915-1](#) [249-4515-000](#) [7-1469373-3](#) [DL2-](#)  
[2J/S](#) [2000713-8](#) [2000713-7](#) [3011-21](#) [757105208](#) [EBTF-4-10-2.0-S-RA-1](#) [430305-001](#) [4395800100](#)